

**PLEASE CHECK WWW.MOLEX.COM FOR LATEST PART INFORMATION**

**Part Number:** [0191990011](#)  
**Status:** **Active**  
**Description:** Butt - Window Splice for 10-12 AWG Wire

**Documents:**

[Drawing \(PDF\)](#) [RoHS Certificate of Compliance \(PDF\)](#)

**General**

Product Family	Splices
Series	19199
Comments	Mil Spec M7928/5-5
Crimp Quality Equipment	Yes
Mil-Spec	M7928/5-5
Product Name	Butt - Window

**Physical**

Barrel Type	Closed
Insulation	Nylon (PA)
Material - Metal	Copper
Packaging Type	Bag
Temperature Range - Operating	-55°C to +105°C
Wire Insulation Diameter	5.79mm (.228") max
Wire Size AWG	10, 12
Wire Size mm <sup>2</sup>	3.30 - 5.00

**Electrical**

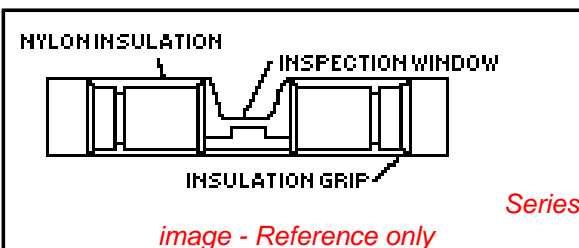
Voltage - Maximum	300V
-------------------	------

**Material Info**

Old Part Number	WC-842
-----------------	--------

**Reference - Drawing Numbers**

Sales Drawing	SD-19199-003
---------------	--------------



**EU RoHS**

**ELV and RoHS  
Compliant**

**REACH SVHC**

Not Reviewed

**Halogen-Free**

**Status**

**Not Reviewed**

**China RoHS**



**Need more information on product  
environmental compliance?**

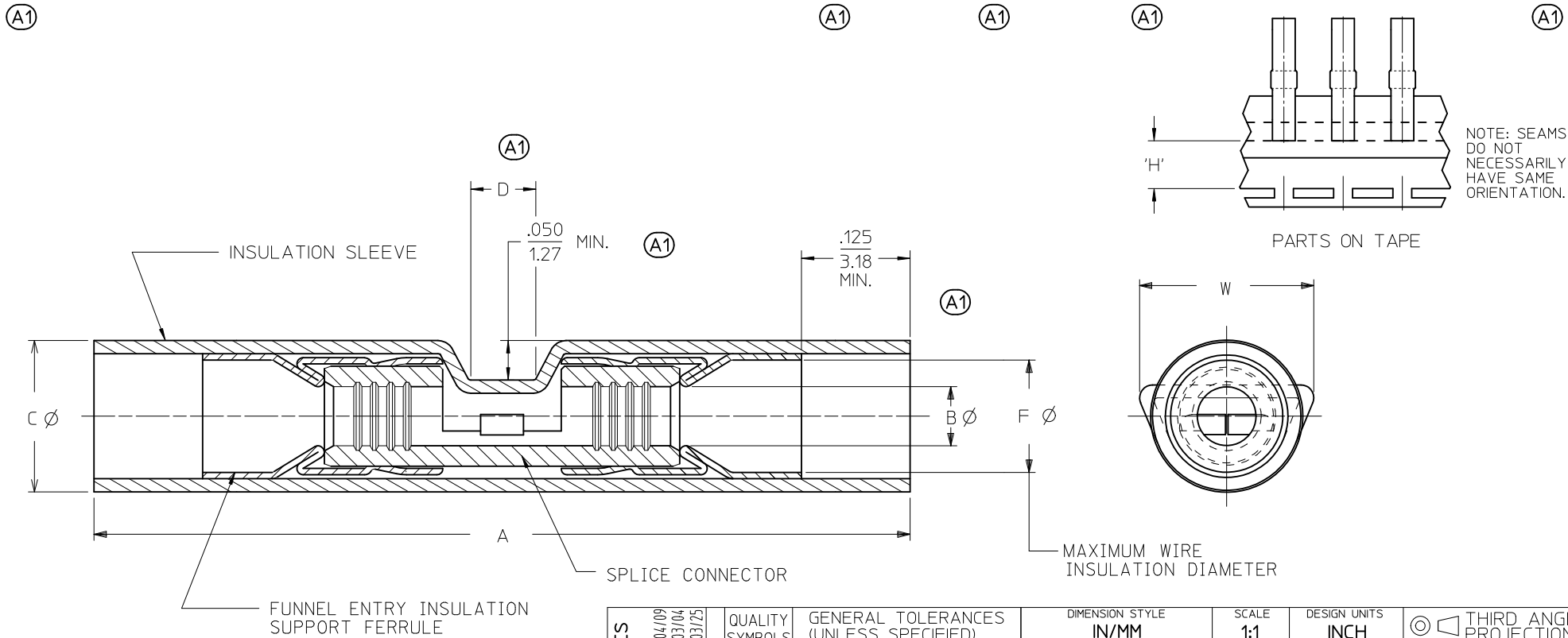
Email [productcompliance@molex.com](mailto:productcompliance@molex.com)  
 For a multiple part number RoHS Certificate of  
 Compliance, [click here](#)

Please visit the [Contact Us](#) section for any  
 non-product compliance questions.

**Search Parts in this Series**

[19199Series](#)

LOOSE PIECE		MIL-T-7928/5 PART NO.	TAPE MOUNTED (A1)		WIRE AWG	INSUL COLOR	DIMENSIONS						
MATERIAL NO.	ENGINEERING P/N		MATERIAL NO.	ENGINEERING P/N			A MAX.	B	C ± (0.64)	D MIN.	F MIN.	W MAX.	H NOMINAL
191990007	WA-840	M7928/5-3	191990008	WA-840T	22-18	RED	1.300/(33.02)	.062±.010/(1.57±0.25)	.185/(4.70)	.08/(2.0)	.11/(2.8)	.250/(6.35)	.48/(12.1)
191990009	WB-841	M7928/5-4	191990010	WB-841T	16-14	BLUE	1.300/(33.02)	.088±.007/(2.24±0.18)	.215/(5.46)	.08/(2.0)	.14/(3.6)	.290/(7.37)	.49/(12.4)
191990011	WC-842	M7928/5-5	-	-	12-10	YELLOW	1.700/(43.18)	.134±.005/(3.40±0.13)	.275/(6.99)	.11/(2.8)	.20/(5.1)	.340/(8.64)	-



NOTES:  
 1. MATERIAL  
 INSULATION: TRANSPARENT NYLON  
 FERRULE: TIN PLATED BRASS  
 CONNECTOR: TIN PLATED COPPER

(A1) 2. PARTS ARE ROHS COMPLIANT.

ADD ALL MIL SPECS EC NO: WNA2009-0808 DR: WNETHRODAHL 2009/04/09 CHKD: JMACNEIL 1993/03/04 APPR: JMACNEIL 2010/03/25	QUALITY SYMBOLS ▽=0 ▽=0	GENERAL TOLERANCES (UNLESS SPECIFIED) mm INCH 4 PLACES ±--- ±--- 3 PLACES ±--- ±--- 2 PLACES ±--- ±--- 1 PLACE ±--- ±--- ANGULAR ±---°	DIMENSION STYLE IN/MM	SCALE 1:1	DESIGN UNITS INCH	THIRD ANGLE PROJECTION
	DRAWN BY DATE RCM 1993/03/04	TITLE AVIKRIMP WINDOW BUTT SPLICE				
	CHECKED BY DATE JM 1993/03/04	APPROVED BY DATE JMACNEIL 2010/03/25				
	MATERIAL NO. SEE CHART	DOCUMENT NO. SD-19199-003	SHEET NO. 1 OF 1			