

**PLEASE CHECK WWW.MOLEX.COM FOR LATEST PART INFORMATION**

**Part Number:** **0190160070**  
**Status:** **Active**  
**Description:** Krimptite™ Quick Disconnect, Female, for 10-12 (5.00-3.30) Wire, Mylar Tape, Tab 6.35mm (.250") x 0.81mm (.032")

**Documents:**

[Drawing \(PDF\)](#) [RoHS Certificate of Compliance \(PDF\)](#)

**Agency Certification**

CSA LR18689  
 UL E79133

**General**

Product Family Quick Disconnects  
 Series [19016](#)  
 Comments Butted Seam  
 Crimp Quality Equipment Yes  
 Product Name Krimptite™  
 Type Quick Disconnect

**Physical**

Barrel Type Closed  
 Gender Female  
 Glow-Wire Compliant No  
 Insulation None  
 Lock to Mating Part None  
 Material - Metal Brass  
 Orientation Straight  
 Packaging Type Adhesive Tape on Reel  
 Polarized to Mating Part No  
 Tab Thickness 0.81mm (.032")  
 Tab Width 6.35mm (.250")  
 Temperature Range - Operating Per Wire Specification  
 Termination Interface: Style Crimp or Compression  
 Wire Size AWG 10, 12  
 Wire Size mm<sup>2</sup> 3.30 - 5.00

**Electrical**

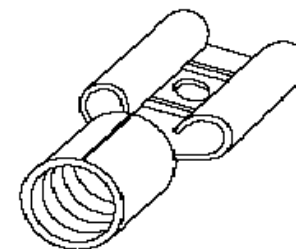
Voltage - Maximum Per Wire Specification

**Material Info**

Old Part Number C-1143T

**Reference - Drawing Numbers**

Sales Drawing SD-19016-002



*Series  
 image - Reference only*

**EU RoHS**

**ELV and RoHS  
 Compliant**  
**REACH SVHC  
 Contains SVHC: No**  
**Halogen-Free  
 Status**

**China RoHS**



**Need more information on product  
 environmental compliance?**

Email [productcompliance@molex.com](mailto:productcompliance@molex.com)  
 For a multiple part number RoHS Certificate of Compliance, [click here](#)

Please visit the [Contact Us](#) section for any non-product compliance questions.

**Search Parts in this Series**

[19016Series](#)

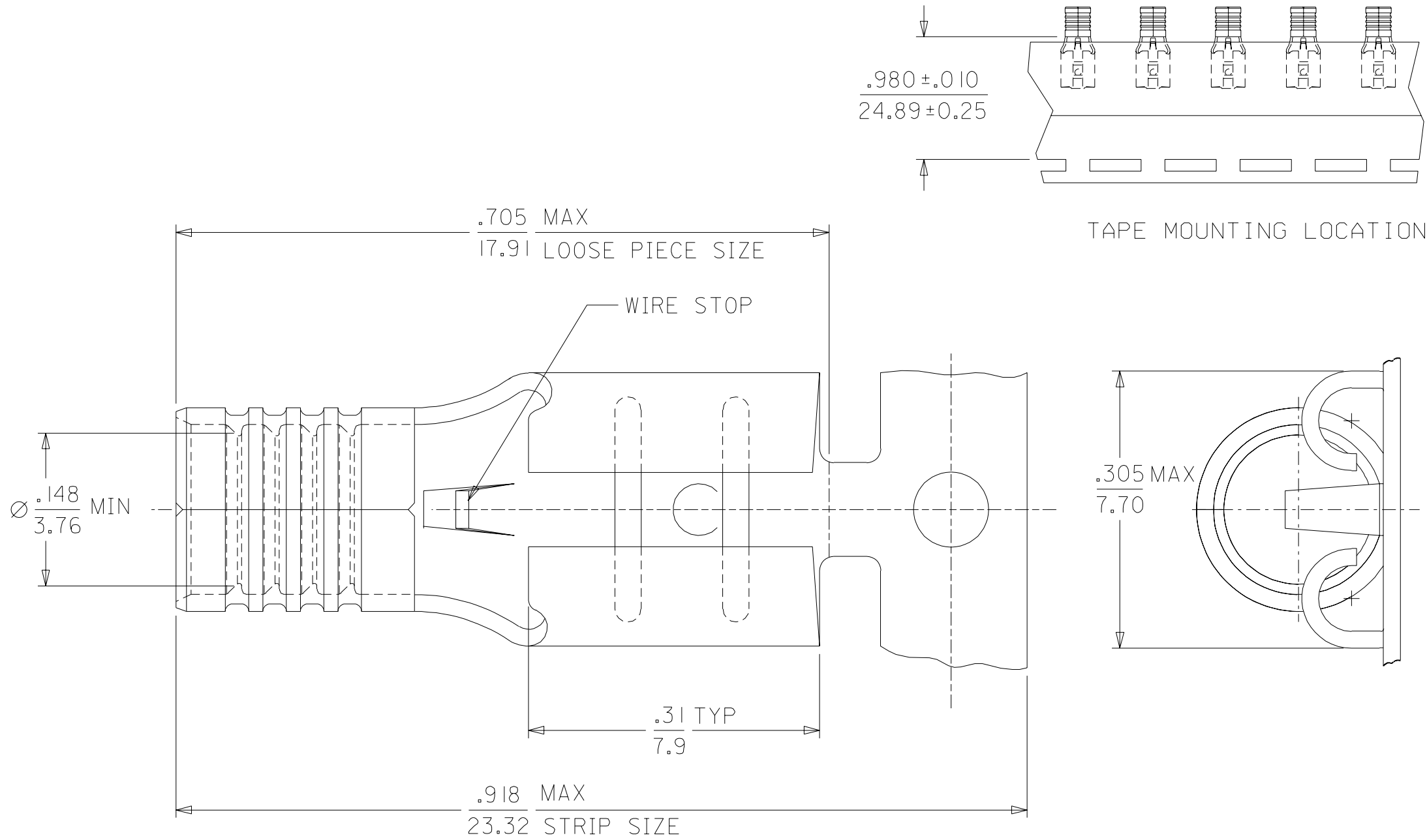
**Application Tooling | [FAQ](#)**

*Tooling specifications and manuals are found by selecting the products below. Crimp Height Specifications are then contained in the Application Tooling Specification document.*

**Global**

Description	Product #
ATP Perishable Tool Kit used in ATP presses that process product on tape	<a href="#">0190270094</a>
Mini-Mac™ Applicator	<a href="#">0638853000</a>

MATERIAL NUMBER	ENGINEERING NUMBER	PACKAGING
190160069	C-1143	LOOSE PIECE
190160073	CZ-1143	STRIP
190160070	C-1143T	TAPE



## SALES DRAWING

NOTES:  
 1. MATERIAL: COPPER.  
 PLATING: ELECTRO-TIN

NEW RELEASE EC NO. ETC2003-0024 DRWN: BRE 02/07/30 CHK: HEB 02/07/30 APPR: RWD 02/07/30	QUALITY SYMBOLS MAJOR $\nabla=0$ CRITICAL $\nabla C=0$	GENERAL TOLERANCES: (UNLESS SPECIFIED)		SCALE 10:1	DESIGN UNITS <input type="checkbox"/> mm <input checked="" type="checkbox"/> INCH	THIRD ANGLE PROJECTION	DIMENSIONS: <input type="checkbox"/> mm <input checked="" type="checkbox"/> INCH <input type="checkbox"/> mm ONLY	SHT REV	
		4 PLACES $\pm 0.$ $\pm .$		DRAWN BY & DATE BRE 02/07/23		TITLE: QUICK DISCONNECT RECEPTACLE 12-10 AWG .250 X .032 TAB SIZE			
		3 PLACES $\pm 0.$ $\pm .005$		CHECKED BY & DATE HEB 02/07/23		MOLEX INCORPORATED			
		2 PLACES $\pm 0.13$ $\pm .01$		APPROVED BY & DATE RWD 02/07/23		CAD FILENAME		MATERIAL NO. SEE CHART	DRAWING NO. SD-19016-002
1 PLACE $\pm 0.25$ $\pm .$		ANGULAR: $\pm 1/2^\circ$		THIS DRAWING CONTAINS INFORMATION THAT IS PROPRIETARY TO MOLEX INCORPORATED AND SHOULD NOT BE USED WITHOUT WRITTEN PERMISSION.				SIZE B	
A	REV	DRAFT WHERE APPLICABLE MUST REMAIN WITHIN DIMENSIONS							