



Solid State Devices, Inc.

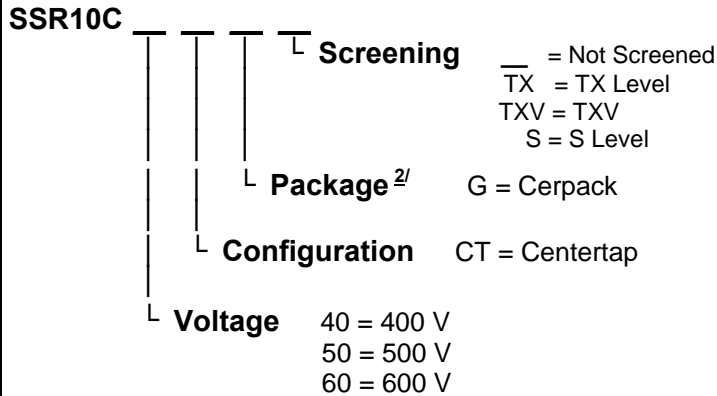
14701 Firestone Blvd * La Mirada, Ca 90638
 Phone: (562) 404-4474 * Fax: (562) 404-1773
 ssdi@ssdi-power.com * www.ssdi-power.com

SSR10C60CT Series

10 A / 600 V Schottky Silicon Carbide Centertap Rectifier

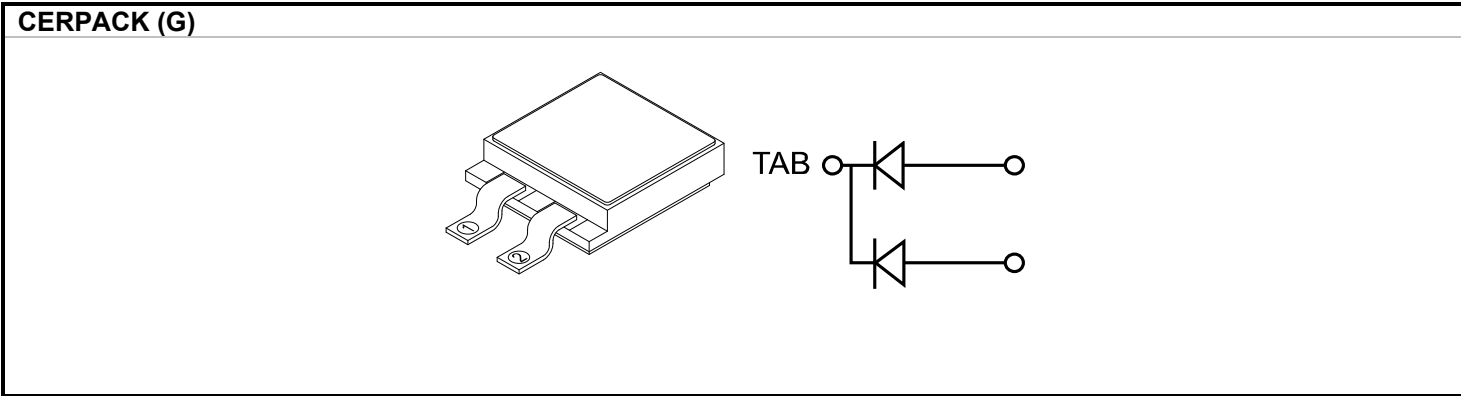
Designer's Data Sheet

Part Number / Ordering Information ^{1/}



- FEATURES:**
- 600 Volt Silicon Carbide Schottky Rectifier
 - Average Output Current 10 Amps
 - No Reverse Recovery
 - No Forward Recovery
 - No Switching Time Change Over Temperature
 - Small Package Size
 - TX, TXV, and Space Level Screening Available. Consult Factory.

MAXIMUM RATINGS		Symbol	Value	Units
Peak Repetitive and Peak Reverse Voltage	SSR10C40CT	V_{RRM} V_R	400	Volts
	SSR10C50CT		500	
	SSR10C60CT		600	
Average Rectified Forward Current (Resistive Load, 60 Hz, Sine Wave)	Per Leg Total	I_o	5	Amps
			10	
Peak Surge Current (8.3 ms Pulse, Half Sine Wave, $T_A = 25^\circ\text{C}$, Per Leg)		I_{FSM}	20	Amps
Operating & Storage Temperature		T_{OP} & T_{stg}	-55 to +250	$^\circ\text{C}$
Junction Temperature		T_J	-55 to +250	$^\circ\text{C}$
Maximum Thermal Resistance (Junction to Case)		$R_{\theta JC}$	1.5	$^\circ\text{C/W}$





Solid State Devices, Inc.

14701 Firestone Blvd * La Mirada, Ca 90638
 Phone: (562) 404-4474 * Fax: (562) 404-1773
 ssdi@ssdi-power.com * www.ssdi-power.com

SSR10C60CT Series

ELECTRICAL CHARACTERISTICS ^{3/}	Symbol	Condition	Temperature (T _A)						Units
			-55°C		25°C		150°C		
			typ.	max	typ.	max	typ.	max	
Instantaneous Forward Voltage Drop (300 - 500 μsec pulse)	V _{F1}	I _F = 2.0 A	---	---	1.15	1.25	---	---	V _{DC}
	V _{F2}	I _F = 5.0 A	---	---	1.25	1.55	---	---	
	V _{F3}	I _F = 10.0A	---	---	1.5	1.9	---	---	
	V _{F4}	I _F = 5.0 A	1.3	1.8	---	---	---	---	
	V _{F5}	I _F = 5.0 A	---	---	---	---	1.25	1.8	
Reverse Leakage Current (300 μsec pulse min)	I _{R1}	At rated V _R	---	---	25	250	---	---	μA
	I _{R2}		---	---	---	---	50	1000	
Junction Capacitance	C _J	V _R = 10V f = 1MHz	---	---	200	350	---	---	pF

NOTES:
 * Pulse Test: Pulse Width = 300 μsec, Duty Cycle = 2%
 1/ For Ordering Information, Price, and Availability Contact Factory.
 2/ For Package Outlines Contact Factory.
 3/ Unless Otherwise Specified, All Electrical Characteristics @25°C

Available Part Numbers:
SSR10C40CTG
SSR10C50CTG
SSR10C60CTG

PIN ASSIGNMENT			
Package	Pin 1	Pin 2	Pin 3 (Tab)
Cerpack (G)	Anode	Anode	Cathode