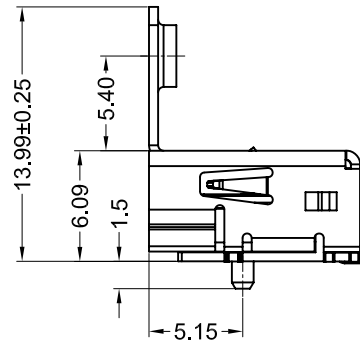
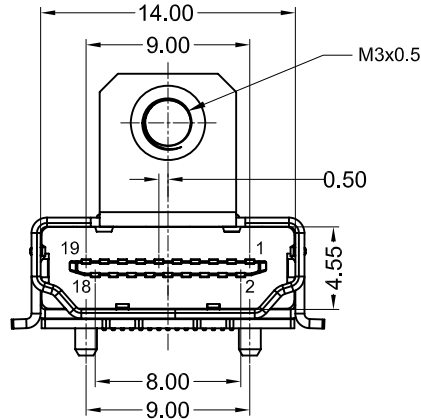


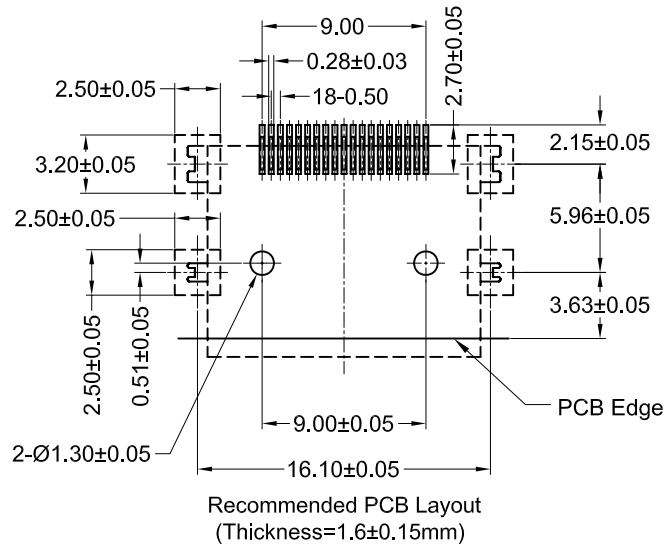
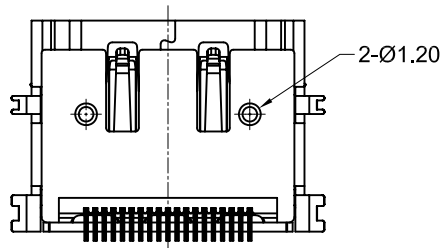
Materials and Finish

Shell: Copper Alloy
 Solderable Nickel plated
 Insulator: UL94V-0 Rated
 Thermoplastic, Color- Black
 Contacts: Copper Alloy
 Plating: Gold Flash,
 30u" Gold plated over Nickel



Electrical Specifications

Rated Voltage:
 40V AC (R.M.S)
 Contact Current Rating:
 0.5A Min.
 Contact Resistance:
 10 milliohms Max.
 Insulation Resistance:
 100 Megohms Min. (unmated)
 10 Megohms Min. (mated)
 Dielectric Withstanding:
 500V AC (unmated)
 300V AC (mated)
 Insertion Force:
 44.1N max.
 Extraction Force:
 9.8N Min.
 39.2N Max.
 Operating Temperature:
 -25°C to 85°C
 Durability:
 10K mating cycles



Part Number	Contact Area Plating Finish
KDMIX-FS1-WS-B	30u" Gold
KDMIX-FS1-WS-BGF	Gold Flash



Tolerances
X.X ± 0.25
X.XX ± 0.15
Unless Stated Otherwise

REV.	DATE	DESCRIPTION	REV. BY	CHK. BY	DRAWN BY	DATE
A0	4/3/07	New Drawing	E. Canoy	H. MA	N.Chang	1/25/07
A1	06/29/07	Release Drawing	R. Aguirre			
A2	03/26/08	Add Options	S. Vien	H. MA		
A3	10/15/10	ECO #10-073	S. Vien	H. MA		

KDMIX-FS1-WS-B

HDMI Receptacle, Type A, SMT Shield
 with Top Spring and Flange, RoHS Compliant

