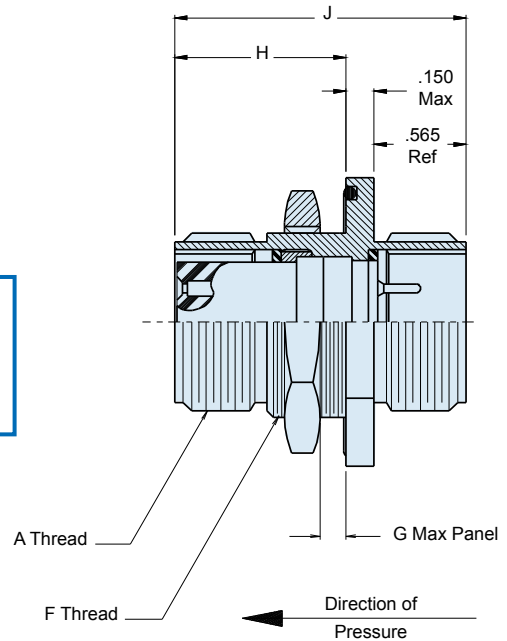
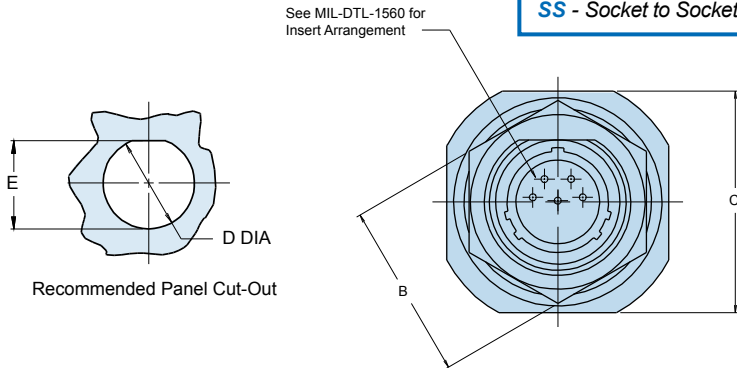
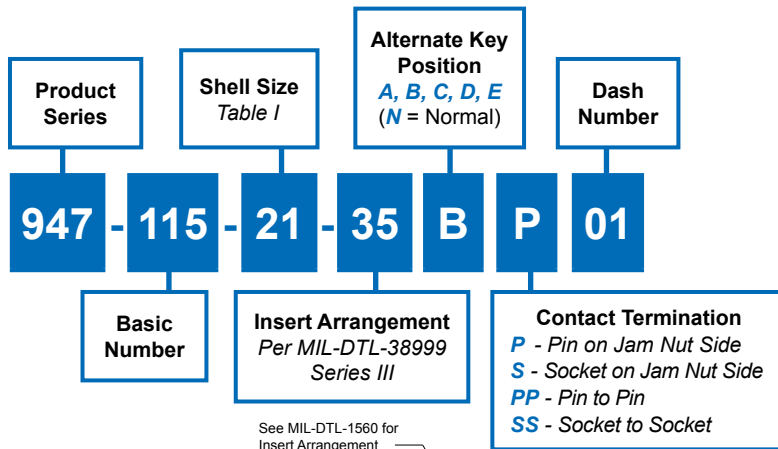


947-115
Jam Nut Mount Hermetic Bulkhead Feed-Thru
.250/.500^{inch} Panel
MIL-DTL-38999 Series III Type



MIL-DTL
38999 Type



B

TABLE I: CONNECTOR DIMENSIONS

| SHELL SIZE | A THREAD 0.1 P-0.3L-TS-2 | B DIM | C DIM MAX | D DIA | E DIM | F THREAD x1-6g-0.100R |
|------------|-----------------------------|-------------|--------------|-------------|-------------|--------------------------|
| 9 | 0.625 | .875(22.2) | 1.09(27.7) | .698(17.7) | .670(17.0) | M17 |
| 11 | 0.750 | 1.000(25.4) | 1.28(32.5) | .822(20.9) | .770(19.6) | M20 |
| 13 | 0.875 | 1.250(31.8) | 1.40(35.6) | 1.010(27.6) | .955(24.3) | M25 |
| 15 | 1.000 | 1.375(34.9) | 1.53(38.9) | 1.135(28.8) | 1.085(27.6) | M28 |
| 17 | 1.187 | 1.500(38.1) | 1.66(42.2) | 1.260(32.0) | 1.210(30.7) | M32 |
| 19 | 1.250 | 1.625(41.3) | 1.84(46.7) | 1.385(35.2) | 1.335(33.9) | M35 |
| 21 | 1.375 | 1.750(44.5) | 1.97(50.5) | 1.510(38.4) | 1.460(37.1) | M38 |
| 23 | 1.500 | 1.875(47.6) | 2.09(53.1) | 1.635(41.5) | 1.635(41.5) | M41 |
| 25 | 1.625 | 2.000(50.8) | 2.21(56.1) | 1.760(44.7) | 1.710(43.4) | M44 |

HERMETIC LEAK RATE MOD CODES

| Designator | Required Leak Rate |
|------------|--|
| -585A | 1 x 10 ⁻¹⁰ cc's Helium per second |
| -585B | 1 x 10 ⁻⁹ cc's Helium per second |
| -585C | 1 x 10 ⁻⁸ cc's Helium per second |

TABLE III: PANEL THICKNESS

| DASH NO | G MAX | H MAX | J MAX |
|---------|------------|------------|------------|
| 01 | .250(6.4) | 1.08(27.4) | 1.79(45.5) |
| 02 | .500(12.7) | 1.33(33.8) | 2.04(51.8) |

APPLICATION NOTES

- Assembly identified with manufacturer's name and PN, space permitting.
- For pin/pin and skt/skt, symmetrical layouts only, consult factory for available insert arrangements.
- Power to a given contact on one end will result in power to contact directly opposite, regardless of identification letter.
- Hermeticity = less than 1 x 10⁻⁷ cc/sec at one atmosphere. Not for use in liquid atmosphere.
- Electrical safety limits must be established by user, peak voltage, switching surge, transient, etc. should be used to determine the safety of the application.
- Material/finish:
Shell, lock ring, jam nut—stainless steel/passivate
Contacts—copper alloy/gold plate and alloy 52/gold plate
Insulators—high-grade rigid dielectric/N.A. and full glass.
Seals—fluorosilicone/ N.A.
- Metric dimensions (mm) are indicated in parentheses.