

PLEASE CHECK WWW.MOLEX.COM FOR LATEST PART INFORMATION

Part Number: **0512333014**
Status: **Active**
Description: CRC™ Shielded Rectangular I/O Receptacle Housing for Male Terminal, Signal, 30 Circuits, Polarization Type C, Polarization Position D-4

Documents:

[Drawing \(PDF\)](#) [Product Specification PS-51238-018 \(PDF\)](#)
[Product Specification PS-51238-010 \(PDF\)](#) [RoHS Certificate of Compliance \(PDF\)](#)

Agency Certification

CSA	LR19980
TUV	R72081037
UL	E29179

General

Product Family	I/O Connectors
Series	51233
Application	Panel-Mount, Wire-to-Wire
Component Type	Housing
Product Name	CRC™
Type	N/A

Physical

Boot Color	N/A
Circuits (Loaded)	N/A
Circuits (maximum)	30
Color - Resin	Black
Durability (mating cycles max)	100
Flammability	94V-0
Gender	Receptacle
Keying to Mating Part	Yes
Lock to Mating Part	Yes
Material - Metal	Stainless Steel
Material - Plating Mating	n/a
Material - Resin	Polyester
Number of Rows	6
Orientation	Vertical
PCB Locator	No
Packaging Type	Tray
Panel Mount	Front, Rear
Pitch - Mating Interface (in)	0.118 In
Pitch - Mating Interface (mm)	3.00 mm
Pitch - Term. Interface (in)	0.118 In
Pitch - Term. Interface (mm)	3.00 mm
Polarized to Mating Part	Yes
Polarized to PCB	N/A
Ports	1
Surface Mount Compatible (SMC)	No
Temperature Range - Operating	-40°C to +105°C
Termination Interface: Style	N/A
Waterproof / Dustproof	No

Electrical

Current - Maximum per Contact	3A
Shielded	No
Voltage - Maximum	250V AC (RMS)/DC



image - Reference only

EU RoHS

ELV and RoHS Compliant
REACH SVHC Contains SVHC: No
Halogen-Free Status Not Reviewed

China RoHS



Need more information on product environmental compliance?

Email productcompliance@molex.com
 For a multiple part number RoHS Certificate of Compliance, [click here](#)

Please visit the [Contact Us](#) section for any non-product compliance questions.

Search Parts in this Series

51233Series

Mates With

51239-300X plug housing|54332-300X plug assembly set

Use With

56116, 56117, 56118 and 56119 male terminal|56377-300* receptacle shell

Material Info

Reference - Drawing Numbers

Product Specification

Sales Drawing

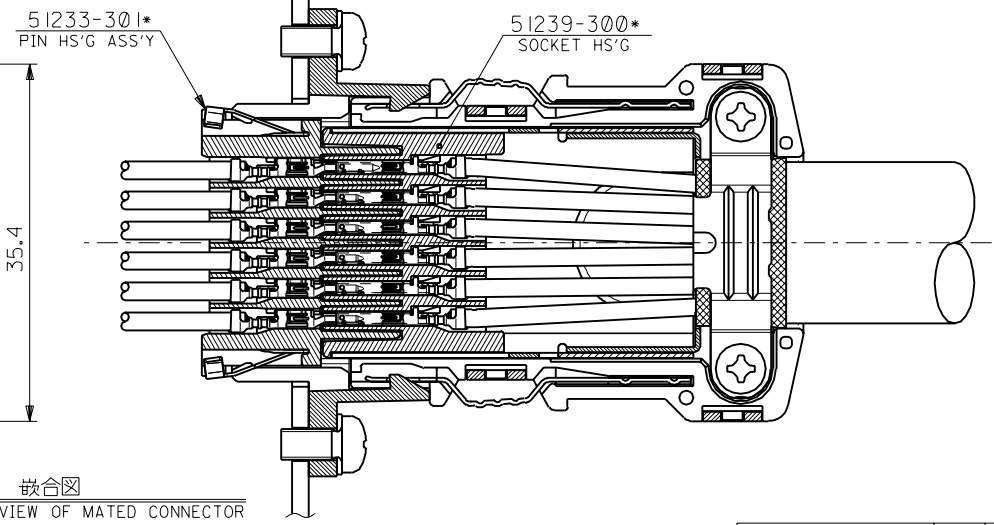
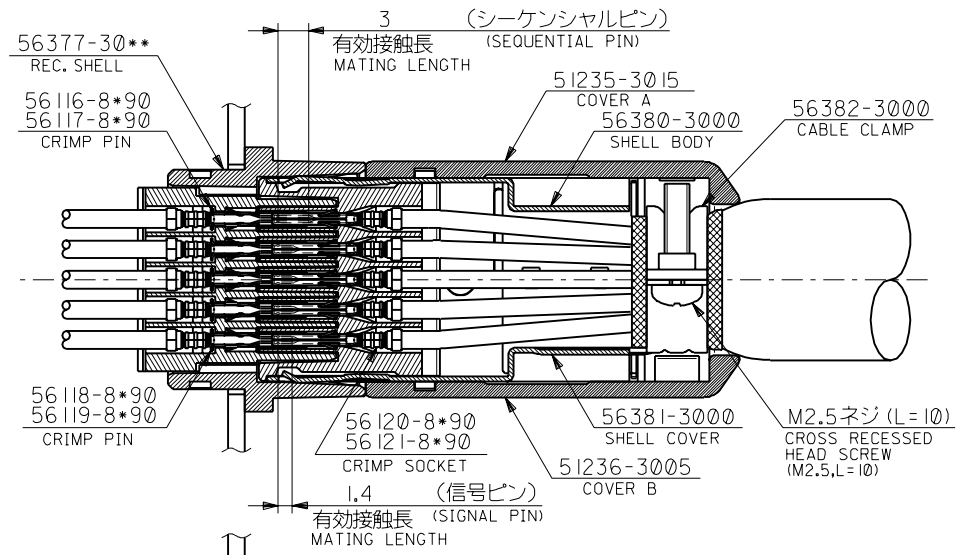
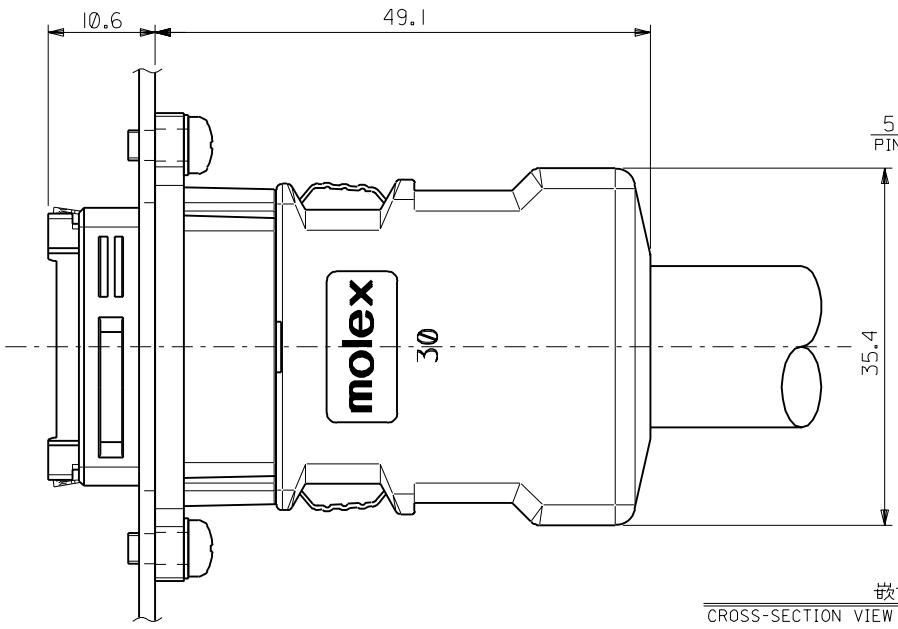
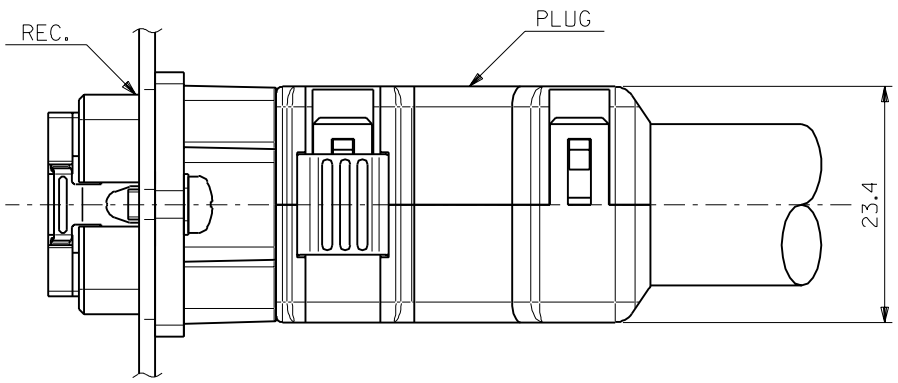
PS-51238-010, PS-51238-018, RPS-51238-001

SD-51233-009

This document was generated on 04/12/2010

PLEASE CHECK WWW.MOLEX.COM FOR LATEST PART INFORMATION

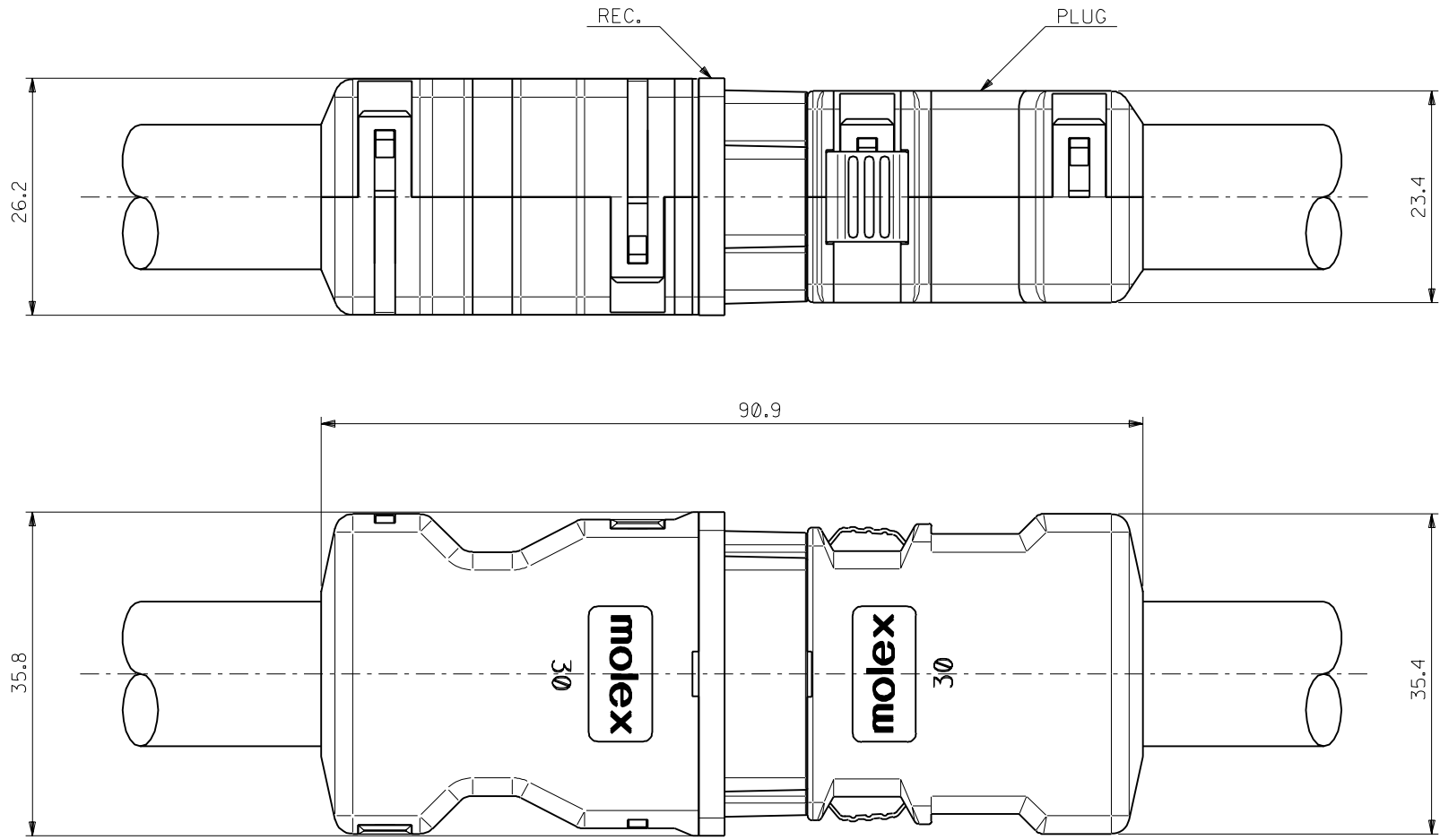
DWG. NO. SD-51233-009



嵌合図
CROSS-SECTION VIEW OF MATED CONNECTOR

DO NOT SCALE DRAWING

EC NO. DRWN: CHK: APPR:		EC NO. DRWN: CHK: APPR:		EC NO. DRWN: CHK: APPR:		REVISIONS		MATERIAL		GENERAL TOLERANCES:		SCALE		DESIGN UNITS		THIRD ANGLE PROJECTION		DIMENSIONS:		SHT		REV	
						REVISED 01/10/04		材料		UNLESS SPECIFIED		2-1		mm □ INCH		◎ □		mm □ INCH □ mm □ mm ONLY		2		REVISIONS	
						EC NO. J2002-0786		注記参照		10 UNDER		DRAWN BY & DATE		S. Adiyama 1/01/25		TITLE:		mm		2		1	
						DRWN: S.AKIYAMA		SEE NOTES		10 OVER 30 UNDER		CHECKED BY & DATE		J. Mizuno / Y. Oe		COMPACT ROBOT CONN. (CRC)		mm		2		2	
						CHK: J.MIYAZAWA		#		30 UNDER		APPROVED BY & DATE		Ab. Hasegawa		REC. PIN HS'G ASS'Y		mm		2		OF 4	
						APPR: YO.ITO		#		ANGLE		CAD FILE NAME		51233009.S02		MOLEX INCORPORATED		mm		2		2	
						RELEASED 01/02/16		#		30 OVER		MATERIAL NO.				MATERIAL NO.		mm		2		2	
						EC NO. JD2001-1040		#		INS. RANGE		SEE CHART		51233009.S02		MATERIAL NO.		mm		2		2	
						DRWN: S.AKIYAMA		#		被覆外径		MATERIAL NO.		51233009.S02		MATERIAL NO.		mm		2		2	
						CHK: J.MIYAZAWA		#				MATERIAL NO.		51233009.S02		MATERIAL NO.		mm		2		2	
						APPR: H.IKESUGI		#				MATERIAL NO.		51233009.S02		MATERIAL NO.		mm		2		2	
								#				MATERIAL NO.		51233009.S02		MATERIAL NO.		mm		2		2	
								#				MATERIAL NO.		51233009.S02		MATERIAL NO.		mm		2		2	
								#				MATERIAL NO.		51233009.S02		MATERIAL NO.		mm		2		2	
								#				MATERIAL NO.		51233009.S02		MATERIAL NO.		mm		2		2	
								#				MATERIAL NO.		51233009.S02		MATERIAL NO.		mm		2		2	
								#				MATERIAL NO.		51233009.S02		MATERIAL NO.		mm		2		2	
								#				MATERIAL NO.		51233009.S02		MATERIAL NO.		mm		2		2	
								#				MATERIAL NO.		51233009.S02		MATERIAL NO.		mm		2		2	
								#				MATERIAL NO.		51233009.S02		MATERIAL NO.		mm		2		2	
								#				MATERIAL NO.		51233009.S02		MATERIAL NO.		mm		2		2	
								#				MATERIAL NO.		51233009.S02		MATERIAL NO.		mm		2		2	
								#				MATERIAL NO.		51233009.S02		MATERIAL NO.		mm		2		2	
								#				MATERIAL NO.		51233009.S02		MATERIAL NO.		mm		2		2	
								#				MATERIAL NO.		51233009.S02		MATERIAL NO.		mm		2		2	
								#				MATERIAL NO.		51233009.S02		MATERIAL NO.		mm		2		2	
								#				MATERIAL NO.		51233009.S02		MATERIAL NO.		mm		2		2	
								#				MATERIAL NO.		51233009.S02		MATERIAL NO.		mm		2		2	
								#				MATERIAL NO.		51233009.S02		MATERIAL NO.		mm		2		2	
								#				MATERIAL NO.		51233009.S02		MATERIAL NO.		mm		2		2	
								#				MATERIAL NO.		51233009.S02		MATERIAL NO.		mm		2		2	
								#				MATERIAL NO.		51233009.S02		MATERIAL NO.		mm		2		2	
								#				MATERIAL NO.		51233009.S02		MATERIAL NO.		mm		2		2	
								#				MATERIAL NO.		51233009.S02		MATERIAL NO.		mm		2		2	
								#				MATERIAL NO.		51233009.S02		MATERIAL NO.		mm		2		2	
								#				MATERIAL NO.		51233009.S02		MATERIAL NO.		mm		2		2	
								#				MATERIAL NO.		51233009.S02		MATERIAL NO.		mm		2		2	
								#				MATERIAL NO.		51233009.S02		MATERIAL NO.		mm		2		2	
								#				MATERIAL NO.		51233009.S02		MATERIAL NO.		mm		2		2	
								#				MATERIAL NO.		51233009.S02		MATERIAL NO.		mm		2		2	
								#				MATERIAL NO.		51233009.S02		MATERIAL NO.		mm		2		2	
								#				MATERIAL NO.		51233009.S02		MATERIAL NO.		mm		2		2	
								#				MATERIAL NO.		51233009.S02		MATERIAL NO.		mm		2		2	
								#				MATERIAL NO.		51233009.S02		MATERIAL NO.		mm		2		2	
								#				MATERIAL NO.		51233009.S02		MATERIAL NO.		mm		2		2	
								#				MATERIAL NO.		51233009.S02		MATERIAL NO.		mm		2		2	
								#				MATERIAL NO.		51233009.S02		MATERIAL NO.		mm		2		2	
								#				MATERIAL NO.		51233009.S02		MATERIAL NO.		mm		2		2	
								#				MATERIAL NO.		51233009.S02		MATERIAL NO.		mm		2		2	
								#				MATERIAL NO.		51233009.S02		MATERIAL NO.		mm		2		2	
								#				MATERIAL NO.		51233009.S02		MATERIAL NO.		mm		2		2	
								#				MATERIAL NO.		51233009.S02		MATERIAL NO.		mm		2		2	
								#				MATERIAL NO.		51233009.S02		MATERIAL NO.		mm		2		2	
								#				MATERIAL NO.		51233009.S02		MATERIAL NO.		mm		2		2	
								#				MATERIAL NO.		51233009.S02		MATERIAL NO.		mm		2		2	
								#				MATERIAL NO.		51233009.S02		MATERIAL NO.		mm		2		2	
								#				MATERIAL NO.		51233009.S02		MATERIAL NO.		mm		2		2	
								#				MATERIAL NO.		51233009.S02		MATERIAL NO.		mm		2		2	
								#				MATERIAL NO.		51233009.S02		MATERIAL NO.		mm		2		2	
								#				MATERIAL NO.		51233009.S02		MATERIAL NO.		mm		2		2	
								#				MATERIAL NO.		51233009.S02		MATERIAL NO.		mm		2		2	
								#				MATERIAL NO.		51233009.S02		MATERIAL NO.		mm		2		2	
								#				MATERIAL NO.		51233009.S02		MATERIAL NO.		mm		2		2	
								#				MATERIAL NO.		51233009.S02		MATERIAL NO.		mm		2		2	
								#				MATERIAL NO.		51233009.S02		MATERIAL NO.		mm		2		2	
								#				MATERIAL NO.		51233009.S02		MATERIAL NO.		mm		2		2	
								#				MATERIAL NO.		51233009.S02		MATERIAL NO.		mm		2		2	
								#				MATERIAL NO.		51233009.S02		MATERIAL NO.		mm		2		2	
								#				MATERIAL NO.		51233009.S02		MATERIAL NO.		mm		2		2	
								#				MATERIAL NO.		51233009.S02		MATERIAL NO.		mm		2		2	
								#				MATERIAL NO.		51233009.S02		MATERIAL NO.		mm		2		2	
								#				MATERIAL NO.		51233009.S02		MATERIAL NO.		mm		2		2	
								#				MATERIAL NO.		51233009.S02		MATERIAL NO.		mm		2		2	
								#				MATERIAL NO.		51233009.S02		MATERIAL NO.		mm		2		2	
								#				MATERIAL NO.		51233009.S02		MATERIAL NO.		mm		2		2	
								#				MATERIAL NO.		51233009.S02		MATERIAL NO.		mm		2		2	
								#				MATERIAL NO.		51233009.S02		MATERIAL NO.		mm		2		2	
								#				MATERIAL NO.		51233009.S02		MATERIAL NO.		mm		2		2	
								#				MATERIAL NO.		51233009.S02		MATERIAL NO.		mm		2		2	
								#				MATERIAL NO.		51233009.S02		MATERIAL NO.		mm		2		2	
								#				MATERIAL NO.		51233009.S02		MATERIAL NO.		mm		2		2	
								#				MATERIAL NO.		51233009.S02		MATERIAL NO.		mm		2		2	
								#				MATERIAL NO.		51233009.S02		MATERIAL NO.		mm		2		2	
								#				MATERIAL NO.		51233009.S02		MATERIAL NO.		mm		2		2	
								#				MATERIAL NO.		51233009.S02		MATERIAL NO.		mm		2		2	
								#				MATERIAL NO.		51233009.S02		MATERIAL NO.		mm		2		2	
								#				MATERIAL NO.		51233009.S02		MATERIAL NO.		mm		2		2	
								#				MATERIAL NO.		51233009.S02		MATERIAL NO.		mm		2		2	
								#				MATERIAL NO.		51233009.S02		MATERIAL NO.		mm</					

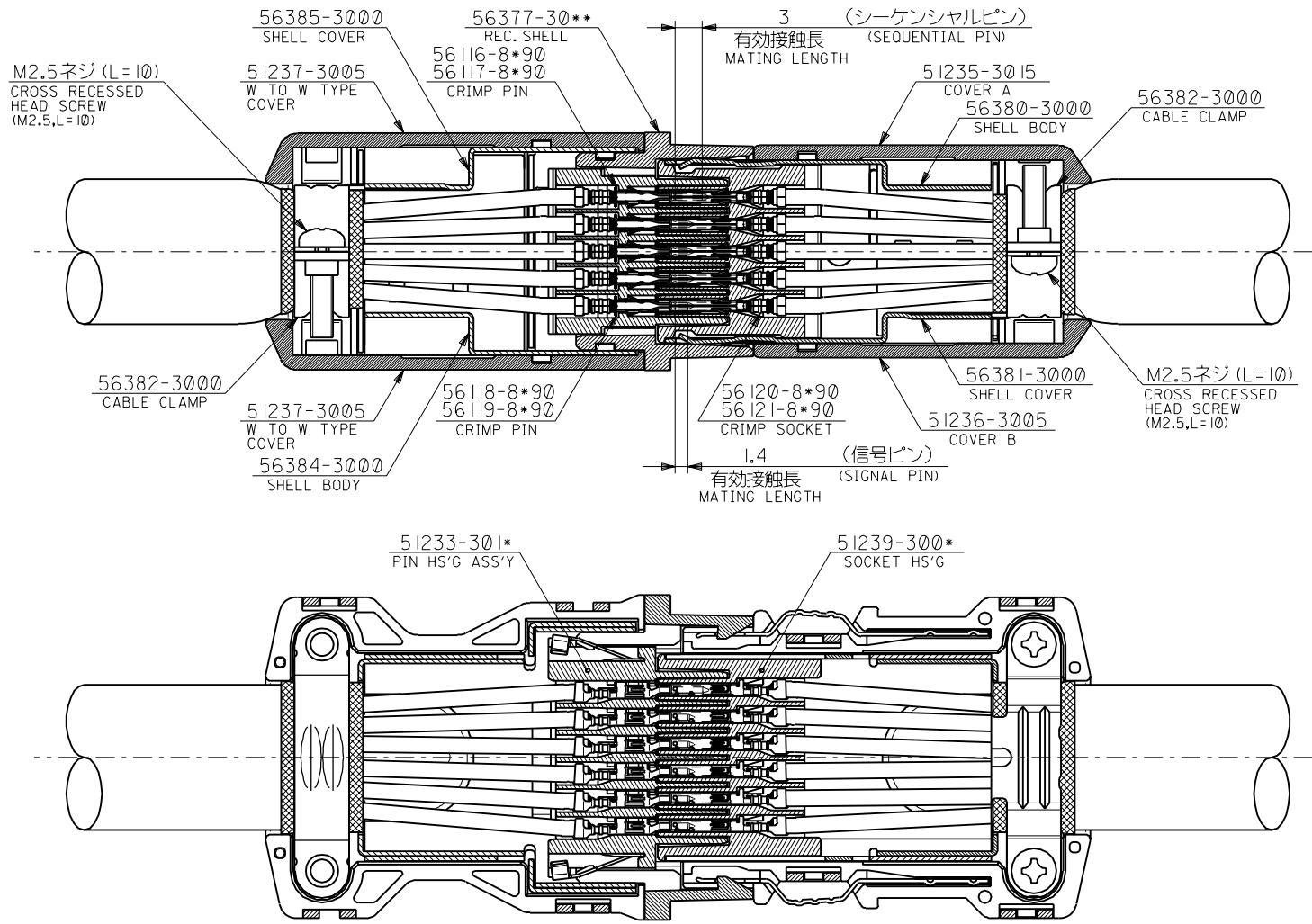


嵌合図 (中継タイプ)
CROSS-SECTION VIEW OF MATED CONNECTOR
(WIRE TO WIRE TYPE)

DO NOT SCALE DRAWING

EC NO. DRWN: CHK: APPR:	EC NO. DRWN: CHK: APPR:	EC NO. DRWN: CHK: APPR:	REVISED 01/10/04	MATERIAL 材料	GENERAL TOLERANCES: (UNLESS SPECIFIED) 一般公差	SCALE	DESIGN UNITS	THIRD ANGLE PROJECTION	DIMENSIONS:		SHT	REV	
			EC NO. J2002-0786 DRWN: S.AKIYAMA CHK: J.MIYAZAWA APPR: YO.ITO			FINISH 仕上げ	10 UNDER 未満		2-1	<input type="checkbox"/> mm <input type="checkbox"/> INCH	<input type="checkbox"/> mm <input type="checkbox"/> mm	<input checked="" type="checkbox"/> mm ONLY	REVISIONS
A	0	0	RELEASED 01/02/16	注記参照 SEE NOTES	10 OVER 30 UNDER 以上 未満	±0.2	DRAWN BY & DATE S. Akiyama / 01/25	TITLE: COMPACT ROBOT CONN. (CRC) REC. PIN HS'G ASS'Y					
			EC NO. JD2001-1040 DRWN: S.AKIYAMA CHK: J.MIYAZAWA APPR: H.IKESUGI	WIRE RANGE 適用電線範囲	30 OVER 以上	±0.25	CHECKED BY & DATE J. Miyazawa / Y. Ito	MOLEX INCORPORATED					
				INS. RANGE 被覆外径	ANGLE 角度	±0.3	APPROVED BY & DATE Yo. Ito	MATERIAL NO.	DRAWING NO.	SHEET NO.			
						±3°	CAD FILENAME 51233009.S03	SEE CHART	SD-51233-009	3 OF 4			
								THIS DRAWING CONTAINS INFORMATION THAT IS PROPRIETARY TO MOLEX INCORPORATED AND SHOULD NOT BE USED WITHOUT WRITTEN PERMISSION.					SIZE B

DWG. NO. SD-51233-009



嵌合図 (中継タイプ)
CROSS-SECTION VIEW OF MATED CONNECTOR
(WIRE TO WIRE TYPE)

DO NOT SCALE DRAWING

EC NO. DRWN: CHK: APPR:	EC NO. DRWN: CHK: APPR:	EC NO. DRWN: CHK: APPR:	REVISED 01/10/04	MATERIAL 材料	GENERAL TOLERANCES: (UNLESS SPECIFIED) 一般公差	SCALE 2-1	DESIGN UNITS <input checked="" type="checkbox"/> mm <input type="checkbox"/> INCH	THIRD ANGLE PROJECTION	DIMENSIONS: <input type="checkbox"/> mm <input type="checkbox"/> INCH <input checked="" type="checkbox"/> mm ONLY	SHT REVISE ON CAD ONLY	REV
			EC NO. J2002-0786 DRWN: S. AKIYAMA CHK: J. MIYAZAWA APPR: Y. ITO								
A	0		RELEASED 01/02/16	FINISH 仕上げ	10 OVER 以上	30 UNDER 未満	±0.25	APPROVED BY & DATE J. Miyazawa / Y. Ito	MATERIAL NO. SEE CHART	DRAWING NO. SD-51233-009	SHEET NO. 4 OF 4
			EC NO. JD2001-1040 DRWN: S. AKIYAMA CHK: J. MIYAZAWA APPR: H. IKESUGI								
				WIRE RANGE 適用電線範囲	—	ANGLE 角度	±3°	CAD FILE NAME 51233009.S04	MATERIAL NO. SEE CHART	DRAWING NO. SD-51233-009	SHEET NO. 4 OF 4
THIS DRAWING CONTAINS INFORMATION THAT IS PROPRIETARY TO MOLEX INCORPORATED AND SHOULD NOT BE USED WITHOUT WRITTEN PERMISSION.											SIZE B

51233009.S04