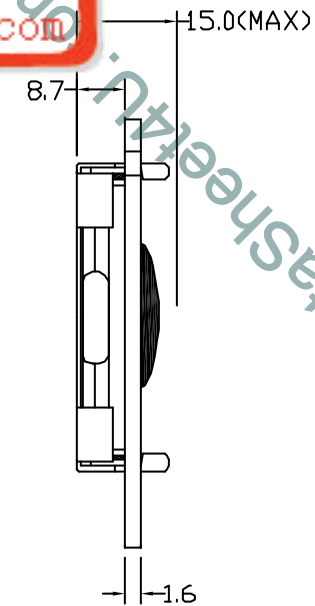
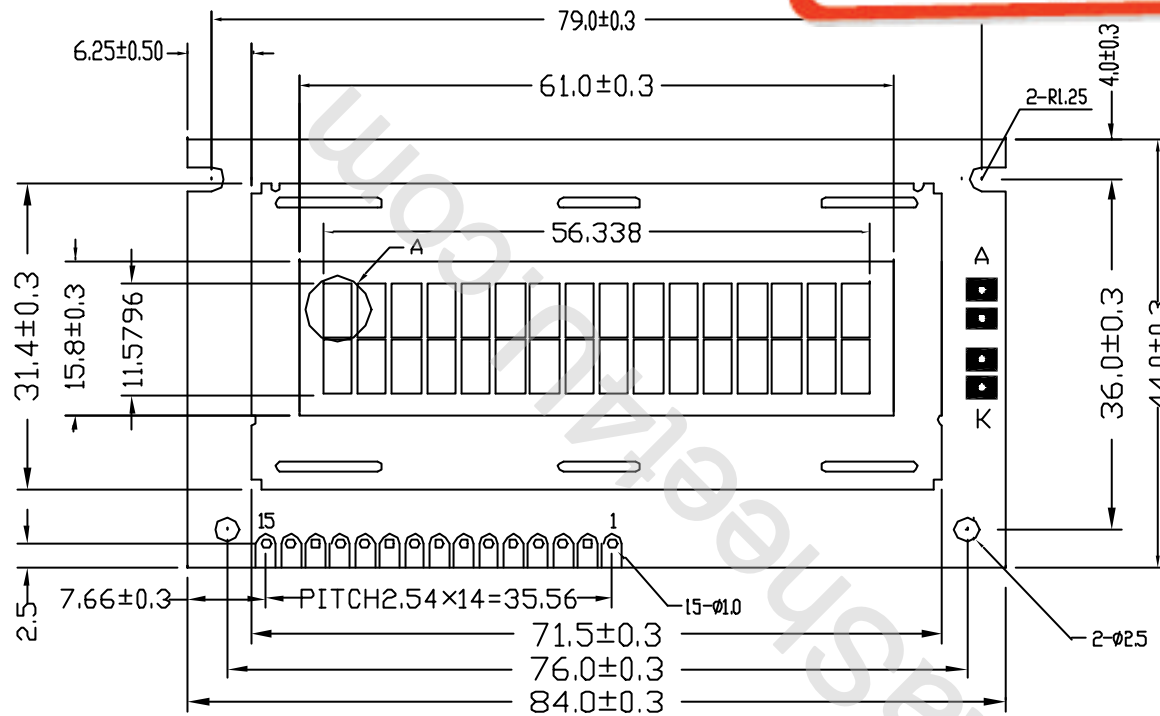
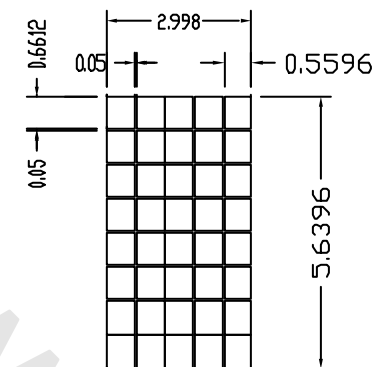


液晶之友 电话: 020-33819057
 Http://www.lcdfriends.com


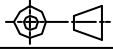


DETAIL: A



1	2	3	4	5	6	7	8	9	10	11	12	13	14	15
V _{SS} ,K	V _{CC}	V _{EE}	RS	R/W	E	DB0	DB1	DB2	DB3	DB4	DB5	DB6	DB7	A

- NOTES:
- 1: DISPLAY TYPE: STN/YELLOW-GREEN MODE
 - 2: VIEWING DIRECTION: 6: 00
 - 3: POLARIZER MODE: TRANSFLECTIVE/POSITIVE
 - 4: DRIVE METHOD: 1/16 DUTY 1/5 BIAS
 - 5: LCD OPERATING VOLTAGE: 4.3V
 - 6: OPERATING TEMP.: 0° - +50°C
 - 7: STORAGE TEMP.: -20° - +60°C
 - 8: BACKLIGHT: LED
 - 9: CONTROLLER: S6A0069X01-COCX(KS0066UP-00CC)
 - 10: ALL UNMARKED TOLERANCES: ±0.2mm
 - 11: BEZEL IS TO BE PAINTED BLACK

 TIAN-MA MICROELECTRONICS CO. 6/F., CASTIC Building, Shennan Road, Central, Shenzhen, China		
DRAWN BY:	CHECKED BY:	SCALE:
APPROVED BY:	DWG NO: G-1	UNIT: mm
CONFIRMED BY:	DWG NAME: TM162A7BC6G-1	SHEET NO: 0F