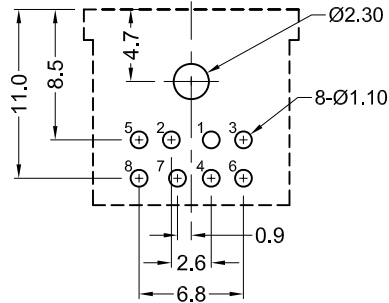
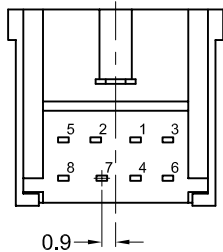
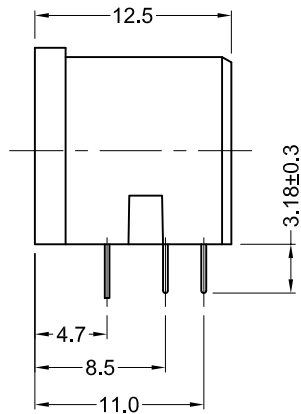


KMDGX-8S-N
(8 position)



Recommended PCB Layout
(Bottom View)

Material and Finish

Body: PBT Thermoplastic,
UL94V-0 Rated, Black

Contacts: Copper Alloy
Gold Flash Plated on contact area,
Tin on Termination,
all over Nickel Underplate

Electrical Characteristics

Contact Resistance:
Before Test:
Plug to Terminals: 30 Milliohms Max.
After Test:
Plug to Terminals: 60 Milliohms Max.

Insulation Resistance:
500 Megohms Min. at 500 VDC

Dielectric Withstanding Voltage:
500V AC RMS For 1 Minute

Current Rating:
2 A at 12V DC

Mechanical Characteristics

Durability Test: 500 Cycles Min.
Insertion Force: 4.5kg max.
Extraction Force: 0.4kg - 3.5kg
Operating Temperature: -25°C to +85°C

KMDGX-3S-N (3 position)	KMDGX-4S-N (4 position)	KMDGX-5S-N (5 position)	KMDGX-6S-N (6 position)	KMDGX-7S-N (7 position)

Recommended PCB Layouts (Bottom View)



Tolerances
X.X ± 0.25
X.XX ± 0.15
Unless Stated Otherwise

REV.	DATE	DESCRIPTION	REV. BY	CHK. BY	DRAWN BY	DATE
A0	3/23/05	New Drawing	H. MA	C. Furumasu	H. MA	3/18/05
A1	8/23/05	change current rating	R. Aguirre	H. MA		
B1	08/27/08	ECO# 08-065	S. Vien	H. MA		
B2	05/11/10	ECO #10-026	S. Vien	H. MA		

KMDGX-xS-N

Circular Mini-DIN, Gold Flash Contacts
Non-shielded, RoHS Compliant

