

PLEASE CHECK WWW.MOLEX.COM FOR LATEST PART INFORMATION

Part Number: [0050361697](#)
Status: **Active**
Overview: [minifit_jr](#)
Description: 4.20mm (.165") Pitch Mini-Fit Jr.™ Header, Dual Row, Vertical, without Snap-in Plastic Peg PCB Lock, without Drain Holes, 6 Circuits, PA Polyamide Nylon 6/6, UL 94V-0, Tin (Sn) Over Nickel (Ni) Plating, Glow Wire Compatible

Documents:

[3D Model](#) [RoHS Certificate of Compliance \(PDF\)](#)
[Drawing \(PDF\)](#)

Agency Certification

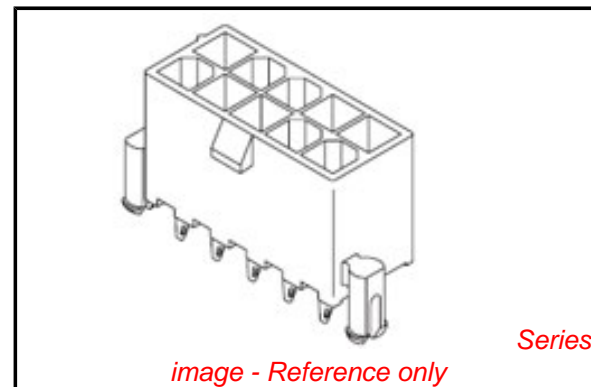
CSA	LR19980
TUV	R72081037
UL	E29179

General

Product Family	PCB Headers
Series	5566
Application	Wire-to-Board
Comments	Current = 13A max. per circuit when header is mated to a receptacle loaded with 45750 Mini-Fit Plus HCS™ Crimp Terminal Crimped to to 16 AWG wire. . See Molex product specification PS-45750-001 for additional current de-rating information.. High Temperature, Square Pin, Solder Type
Overview	minifit_jr
Product Name	Mini-Fit Jr.™

Physical

Breakaway	No
Circuits (Loaded)	6
Circuits (maximum)	6
Color - Resin	Black
Durability (mating cycles max)	30
First Mate / Last Break	No
Flammability	94V-0
Glow-Wire Compliant	Yes
Guide to Mating Part	No
Keying to Mating Part	None
Lock to Mating Part	Yes
Material - Metal	Brass
Material - Plating Mating	Tin
Material - Plating Termination	Tin
Material - Resin	Nylon
Number of Rows	2
Orientation	Vertical
PC Tail Length (in)	0.138 In
PC Tail Length (mm)	3.50 mm
PCB Locator	Yes
PCB Retention	Yes
PCB Thickness Recommended (in)	0.062 In
PCB Thickness Recommended (mm)	1.60 mm
Packaging Type	Tray
Pitch - Mating Interface (in)	0.165 In
Pitch - Mating Interface (mm)	4.20 mm



EU RoHS

ELV and RoHS Compliant
REACH SVHC Contains SVHC: No
Halogen-Free Status

China RoHS



Need more information on product environmental compliance?

Email productcompliance@molex.com
 For a multiple part number RoHS Certificate of Compliance, [click here](#)

Please visit the [Contact Us](#) section for any non-product compliance questions.

Search Parts in this Series

[5566Series](#)

Mates With

[5557](#) Mini-Fit Jr.™ Receptacle Housing

Pitch - Term. Interface (in)	0.165 In
Pitch - Term. Interface (mm)	4.20 mm
Plating min: Mating (μ in)	100
Plating min: Mating (μ m)	2.54
Plating min: Termination (μ in)	50
Plating min: Termination (μ m)	1.27
Polarized to Mating Part	Yes
Polarized to PCB	Yes
Shrouded	Fully
Stackable	No
Surface Mount Compatible (SMC)	No
Temperature Range - Operating	-40°C to +105°C
Termination Interface: Style	Through Hole

Electrical

Current - Maximum per Contact	13A
Voltage - Maximum	600V

Solder Process Data

Duration at Max. Process Temperature (seconds)	5
Lead-free Process Capability	Wave Capable (TH only)
Max. Cycles at Max. Process Temperature	1
Process Temperature max. C	230

Material Info

Old Part Number	5566-06AS-225
-----------------	---------------

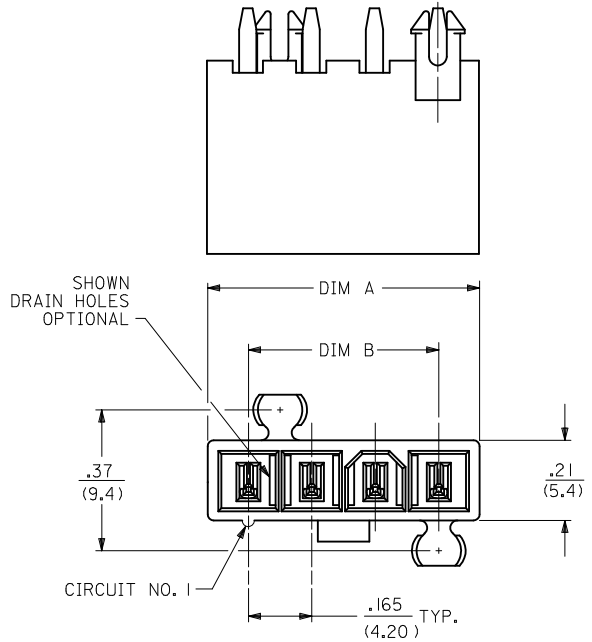
Reference - Drawing Numbers

Packaging Specification	PK-5566-001
Sales Drawing	SD-5566-225

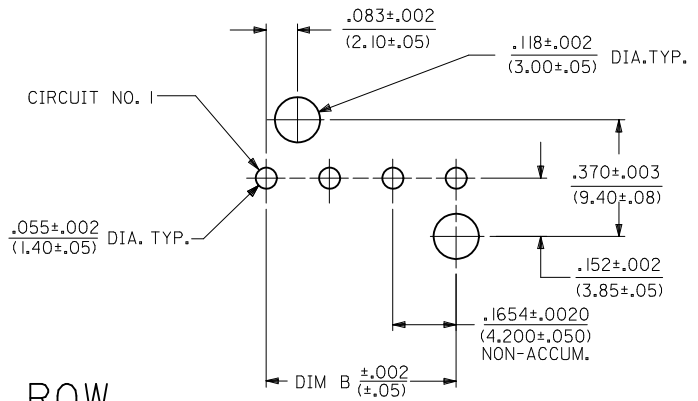
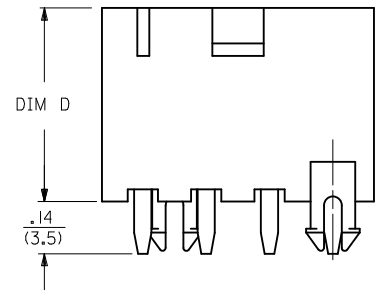
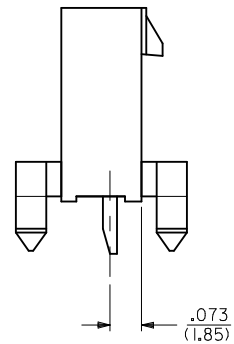
This document was generated on 05/21/2010

PLEASE CHECK WWW.MOLEX.COM FOR LATEST PART INFORMATION

CKT SIZE	DIM A	DIM B	DIM D
3	.54 (13.8)	.331 (8.40)	.49 (12.5)
4	.71 (18.0)	.496 (12.60)	.50 (12.8)
5	.87 (22.2)	.661 (16.80)	.50 (12.8)



- NOTES:
- MATERIALS:
HOUSING:
225=NYLON (PA6), UL94 V-0, COLOR: BLACK, IEC 60335-1, 4th EDITION GLOW WIRE CAPABLE
225N=NYLON (PA6), UL94V-0, COLOR: WHITE, IEC 60335-1, 4th EDITION GLOW WIRE CAPABLE
TERMINALS:
BRASS
2. TERMINAL PLATING:
S=.000100/(0.00254) MIN. BRIGHT TIN OVER
.000050/(0.00127) MIN. NICKEL
3. PRODUCT SPECIFICATION: PS-5556-001
4. PACKAGING: SEE CHARTS
5. PART MATES WITH MINI-FIT JR. RECEPTACLE NO. 5557.
6. MOUNTING OPTIONS:
BLANK=DUAL ROW WITHOUT PEGS
2=DUAL ROW WITH MOUNTING PEGS
3=SINGLE ROW WITH MOUNTING PEGS
7. PART IS NOT DESIGNED FOR CURRENT SHARING.
8. PARTS ARE NOT DESIGNED TO BE MATED OR UN-MATED WHILE CIRCUITS ARE LIVE.
9. LOCATION OF .118±.002/(3.00±0.05) DIAMETER HOLES ON P.C. BOARD IS FOR OPTIONAL PEGS.
10. ANTI-SHINGLING RIB MAY OR MAY NOT APPEAR ON HOUSINGS.
11. PART CONFORMS TO CLASS "B" REQUIREMENTS OF COSMETIC SPECIFICATION PS-45499-002 WITH THE EXCEPTION OF DISCOLORATION, FLASH AND SINK ON THE HOUSING MEET CLASS "C" REQUIREMENTS.

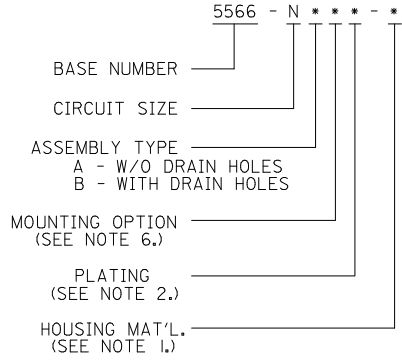


RECOMMENDED HOLE LAYOUT FOR
.070/(1.78) MAX. THICK P. C. BOARD
VIEWED FROM COMPONENT SIDE

4	A2
3	A2
2	A
1	A2
SHT	REV

SEE SHT. 2 FOR DUAL ROW
* THE CHART FOR SINGLE ROW PRODUCT IS ON PAGE 3

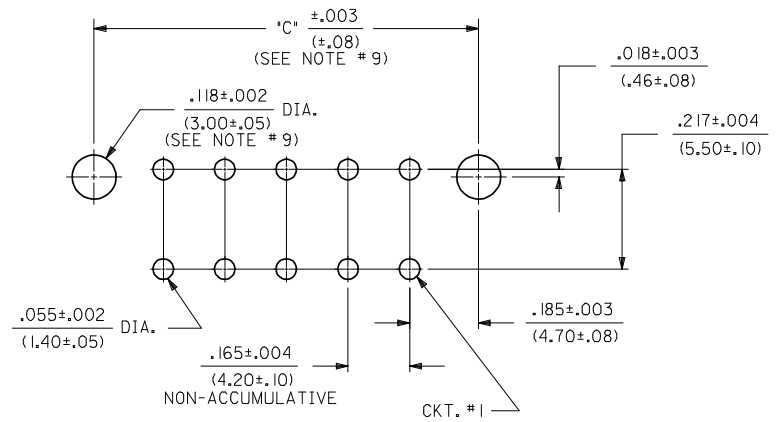
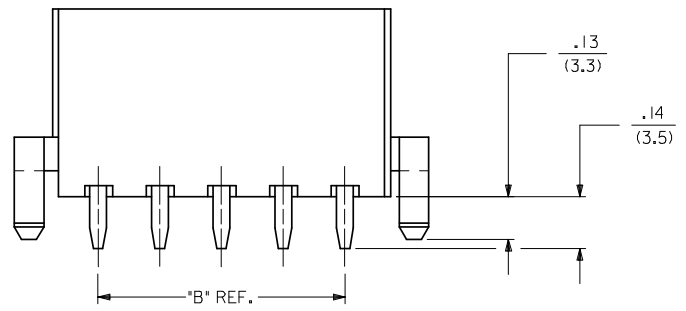
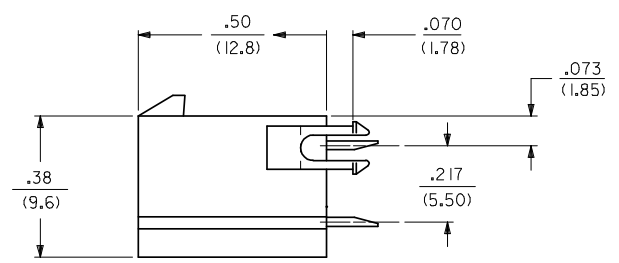
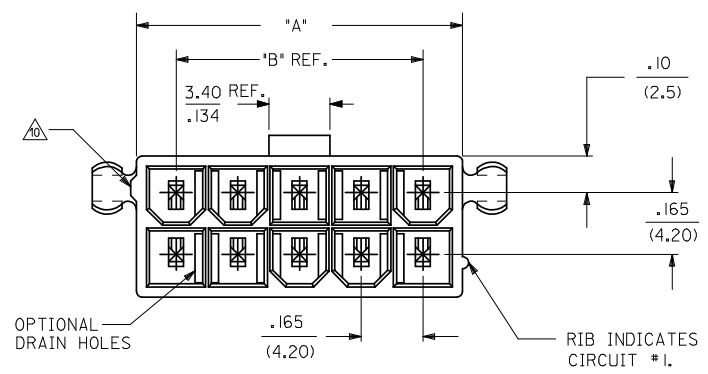
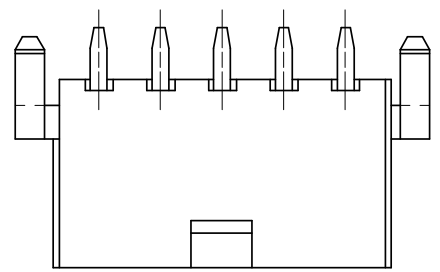
LEGEND:



ADD PART NUMBERS EC NO: UCP2009-1099 DRWN: RBENES 2009/02/12 CHKD: JBEL 2008/01/24 APPR: FSMITH 2010/04/09	QUALITY SYMBOLS ▽=0 ▽=0	GENERAL TOLERANCES (UNLESS SPECIFIED)		DIMENSION STYLE IN/MM		SCALE 1:1	DESIGN UNITS METRIC	THIRD ANGLE PROJECTION
		mm	INCH	DRAWN BY LSCHMIDT	DATE 2008/01/22	TITLE MINI-FIT VERT HDR ASSY W & W/O PEGS/DRAIN HOLES SINGLE AND DUAL ROW		
REV A2	DESCRIPTION DRAFT WHERE APPLICABLE MUST REMAIN WITHIN DIMENSIONS	4 PLACES ± --- ± --- 3 PLACES ± --- ± .015 2 PLACES ± 0.38 ± .020 1 PLACE ± 0.50 ± ---		APPROVED BY FSMITH 2010/04/09		MOLEX INCORPORATED		SHEET NO. 1 OF 4
		ANGULAR ±1/2°		SEE CHARTS		DOCUMENT NO. SD-5566-225		

THIS DRAWING CONTAINS INFORMATION THAT IS PROPRIETARY TO MOLEX INCORPORATED AND SHOULD NOT BE USED WITHOUT WRITTEN PERMISSION

CIRCUIT SIZE	DIM. "A"	DIM. "B"	DIM. "C"
2	.21 (5.4)	—	.370 (9.40)
4	.38 (9.6)	.17 (4.2)	.535 (13.60)
6	.54 (13.8)	.33 (8.4)	.701 (17.80)
8	.71 (18.0)	.50 (12.6)	.866 (22.00)
10	.87 (22.2)	.66 (16.8)	1.031 (26.20)
12	1.04 (26.4)	.83 (21.0)	1.197 (30.40)
14	1.20 (30.6)	.99 (25.2)	1.362 (34.60)
16	1.37 (34.8)	1.16 (29.4)	1.528 (38.80)
18	1.54 (39.0)	1.32 (33.6)	1.693 (43.00)
20	1.70 (43.2)	1.49 (37.8)	1.858 (47.20)
22	1.87 (47.4)	1.65 (42.0)	2.024 (51.40)
24	2.03 (51.6)	1.82 (46.2)	2.189 (55.60)



RECOMMENDED HOLE LAYOUT FOR .070/(1.78) MAX. THICK P. C. BOARD
VIEWED FROM COMPONENT SIDE

SEE SHT. 1 FOR SINGLE ROW
* THE CHART FOR DUAL ROW PRODUCT IS ON PAGE 4

RELEASED EC. NO: UCP2007-3159 DRAWN: SCHMIDT 2008/02/08 CHKD: ADERR 2008/02/08 APPR: FSM/TH 2008/02/12	DESCRIPTION REV	QUALITY SYMBOLS ▽=0 ▽=0	GENERAL TOLERANCES (UNLESS SPECIFIED) mm INCH 4 PLACES ±--- ±--- 3 PLACES ±--- ±.015 2 PLACES ±0.38 ±.020 1 PLACE ±0.50 ±--- ANGULAR ±1/2°	DIMENSION STYLE IN/MM DRAWN BY DATE LSCHMIDT 2008/01/22 CHECKED BY DATE ADERR 2008/01/24 APPROVED BY DATE FSM THROEMER 2008/01/25	SCALE 4:1 DESIGN UNITS METRIC THIRD ANGLE PROJECTION	TITLE MINI-FIT VERT HDR ASSY W & W/O PEGS/DRAIN HOLES SINGLE AND DUAL ROW MOLEX INCORPORATED DOCUMENT NO. SD-5566-225	SHEET NO. 2 OF 4
	DRAFT WHERE APPLICABLE MUST REMAIN WITHIN DIMENSIONS			SEE CHARTS		THIS DRAWING CONTAINS INFORMATION THAT IS PROPRIETARY TO MOLEX INCORPORATED AND SHOULD NOT BE USED WITHOUT WRITTEN PERMISSION	
	A			C		A	
	A			C		A	

13	12	11	10	9	8	7	6	5	4	3	2	1		
PLATING:		100 M.I. TIN - PLATING CODE 'S'		PLATING:		100 M.I. TIN - PLATING CODE 'S'		PLATING:		PLATING:				
DRAIN HOLES:		WITHOUT DRAIN HOLES		DRAIN HOLES:		WITHOUT DRAIN HOLES		DRAIN HOLES:		DRAIN HOLES:				
MTG. OPTION:		WITHOUT PEGS		MTG. OPTION:		WITH PEGS		MTG. OPTION:		MTG. OPTION:				
PACKAGING:		TRAY PACK PER PK-5566-001		PACKAGING:		TRAY PACK PER PK-5566-001		PACKAGING:		PACKAGING:				
COLOR:		BLACK		COLOR:		BLACK		COLOR:		COLOR:				
PART NO.	ENG. NO.	CKTS		PART NO.	ENG. NO.	CKTS		PART NO.	ENG. NO.	CKTS		PART NO.	ENG. NO.	CKTS
50-36-1882	5566-02AS-225	2		50-36-1699	5566-02A2S-225	2				2				2
50-36-1884	5566-04AS-225	4		50-36-1702	5566-04A2S-225	4				4				4
50-36-1697	5566-06AS-225	6		50-36-1704	5566-06A2S-225	6				6				6
50-36-1683	5566-08AS-225	8		50-36-1706	5566-08A2S-225	8				8				8
50-36-1741	5566-10AS-225	10		50-36-1708	5566-10A2S-225	10				10				10
50-36-1886	5566-12AS-225	12		50-36-1711	5566-12A2S-225	12				12				12
50-36-1888	5566-14AS-225	14		NOT TOOLED	5566-14A2S-225	14				14				14
50-36-1891	5566-16AS-225	16		NOT TOOLED	5566-16A2S-225	16				16				16
NOT TOOLED	5566-18AS-225	18		NOT TOOLED	5566-18A2S-225	18				18				18
NOT TOOLED	5566-20AS-225	20		NOT TOOLED	5566-20A2S-225	20				20				20
NOT TOOLED	5566-22AS-225	22		NOT TOOLED	5566-22A2S-225	22				22				22
NOT TOOLED	5566-24AS-225	24		NOT TOOLED	5566-24A2S-225	24				24				24
	-				-									
	-				-									

G

PLATING:		100 M.I. TIN - PLATING CODE 'S'	
DRAIN HOLES:		WITHOUT DRAIN HOLES	
MTG. OPTION:		WITH PEGS	
PACKAGING:		TRAY PACK PER PK-5566-001	
COLOR:		WHITE	
PART NO.	ENG. NO.	CKTS	
		2	
50-36-2304	5566-04A2S-225N	4	
		6	
		8	
		10	
		12	
		14	
		16	
		18	
		20	
		22	
		24	

C

B

A

SEE SHEET 1 EC NO: UCP2009-1099 DRWN:RBENES 2009/02/12 CHKD:JBELL 2011/01/24 APPR:FSMITH 2010/04/09 A2	QUALITY SYMBOLS =0 =0	GENERAL TOLERANCES (UNLESS SPECIFIED) <table border="1"> <thead> <tr> <th></th> <th>mm</th> <th>INCH</th> </tr> </thead> <tbody> <tr> <td>4 PLACES</td> <td>± .005</td> <td>± .0005</td> </tr> <tr> <td>3 PLACES</td> <td>± .005</td> <td>± .0005</td> </tr> <tr> <td>2 PLACES</td> <td>± .005</td> <td>± .0005</td> </tr> <tr> <td>1 PLACE</td> <td>± .005</td> <td>± .0005</td> </tr> </tbody> </table>		mm	INCH	4 PLACES	± .005	± .0005	3 PLACES	± .005	± .0005	2 PLACES	± .005	± .0005	1 PLACE	± .005	± .0005	DIMENSION STYLE IN/MM	SCALE 1:1	DESIGN UNITS METRIC	THIRD ANGLE PROJECTION
		mm	INCH																		
	4 PLACES	± .005	± .0005																		
	3 PLACES	± .005	± .0005																		
2 PLACES	± .005	± .0005																			
1 PLACE	± .005	± .0005																			
DRAWN BY DATE LSCHEMIDT 2008/01/22		CHECKED BY DATE ADERR 2001/01/24		TITLE MINI-FIT VERT HDR ASSY W & W/O PEGS/DRAIN HOLES SINGLE AND DUAL ROW																	
APPROVED BY DATE FSMITH 2010/04/09		MATERIAL NO. SEE CHART		MOLEX INCORPORATED DOCUMENT NO. SD-5566-225																	
DRAFT WHERE APPLICABLE MUST REMAIN WITHIN DIMENSIONS		SIZE 		SHEET NO. 4 OF 4 THIS DRAWING CONTAINS INFORMATION THAT IS PROPRIETARY TO MOLEX INCORPORATED AND SHOULD NOT BE USED WITHOUT WRITTEN PERMISSION																	