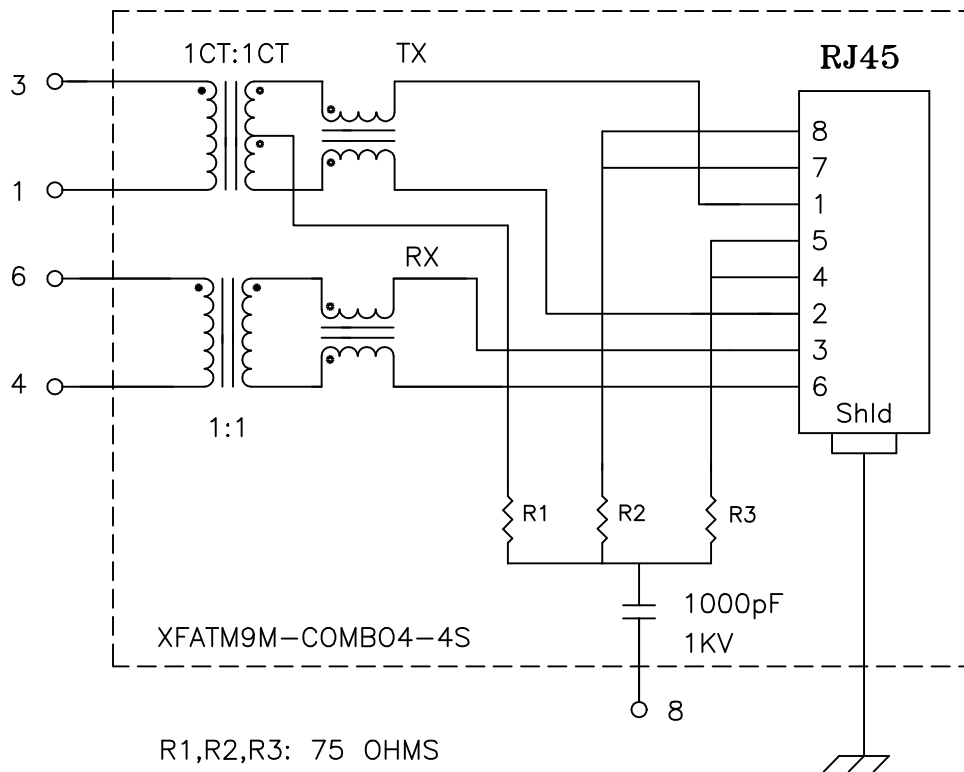


**Schematic: (One of Four)**



**Electrical Specifications: @25°C**

Isolation Voltage: 1500 Vrms (Input to Output)  
 Isolation Voltage: 500 Vrms (P1+2+3 to P4+5+6)  
 Turns Ratio: TX 1CT:1CT  $\pm 3\%$  RX 1CT:1CT  $\pm 3\%$   
 CABLE SIDE OCL: 350uH Minimum @100KHz 100mV 8mADC  
 Cw/w: 27pF Typical @100KHz 100mV  
 Insertion Loss (300KHz-100MHz): -1.0dB Minimum  
 Return Loss: @30MHz -20dB Minimum  
                   @80MHz -15dB Minimum

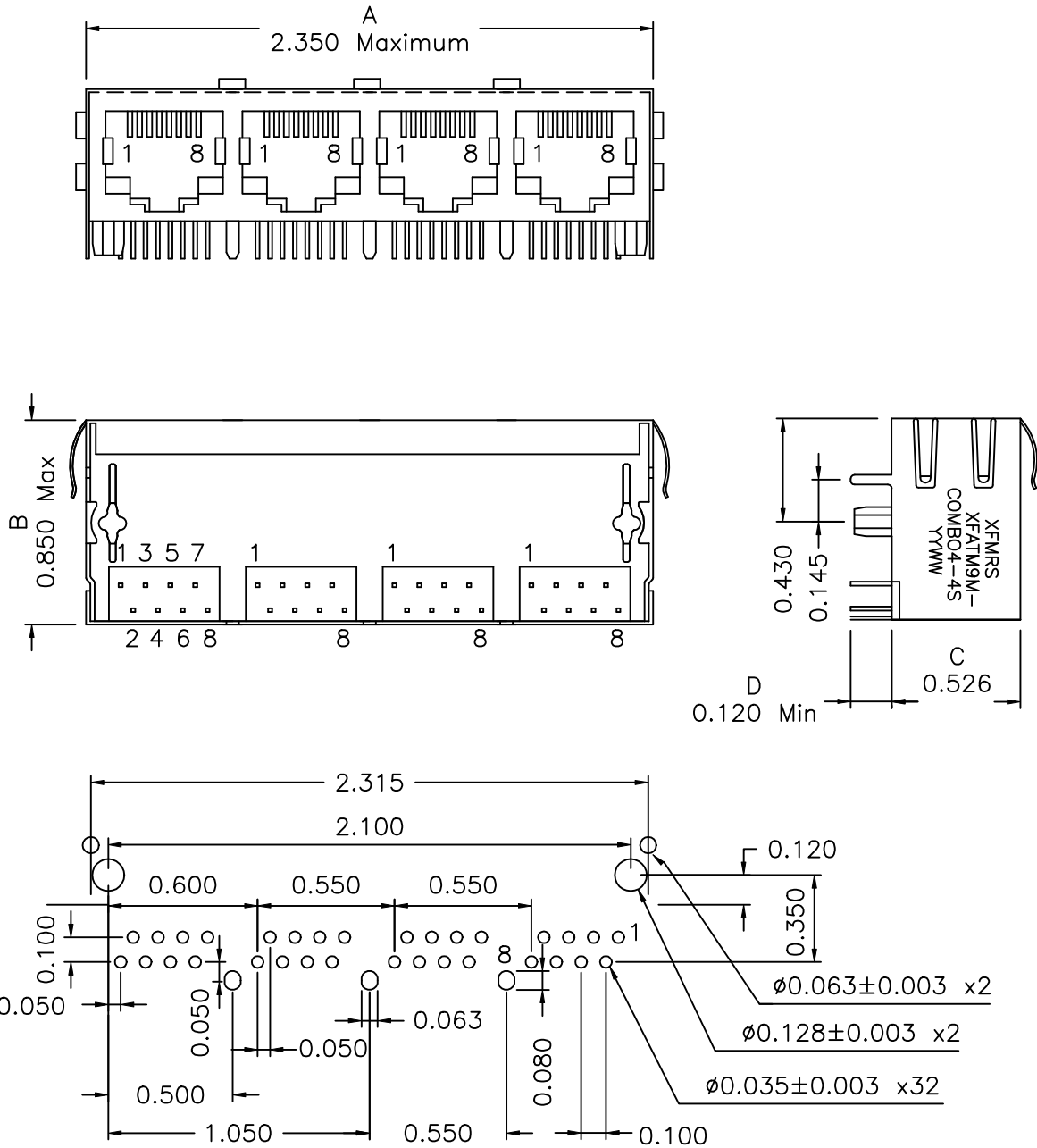
**Notes:**

1. Solderability: Leads shall meet MIL-STD-202, Method 208D for solderability.
2. Flammability: UL94V-0
3. ASTM oxygen index: > 28%
4. Insulation System: Class F 155°C. UL file E151556
5. Operating Temperature Range: All listed parameters are to be within tolerance from -40°C to +85°C
6. Storage Temperature Range: -55°C to +125°C
7. Aqueous wash compatible

DOC. REV: A/1

<b>XFMRs Inc.</b>		Title: <b>QUAD PORT COMBO</b>	
UNLESS OTHERWISE SPECIFIED TOLERANCES: .xxx $\pm 0.010$ Dimensions in Inch	P/N: XFATM9M-COMBO4-4S		REV. A
	DWN.	李清儿	Apr-4-03
	CHK.	孙小松	Apr-4-03
SHEET 1 OF 2	APP.	BW	Apr-4-03

# Mechanical Dimensions: (FOR COMB04-4MS)



SUGGESTED MOUNTING PATTERN

DOC. REV: A/1

<b>XFMRs Inc.</b>	Title: Mechanical Dimensions For COMB04-4S Series		
UNLESS OTHERWISE SPECIFIED TOLERANCES: .xxx ±0.010 Dimensions in Inch	P/N: XFATM9M-COMB04-4S		REV. A
	DWN.	刘鹏	Apr-04-03
	CHK.	李小锋	Apr-04-03
	APP.	BW	Apr-04-03
SHEET 2 OF 2			