

Clock signal generator circuit for digital TV systems (CGC)

SAA9057A

Supersedes data of April 1991

FEATURES

- Clock generation suitable for digital TV systems (line-locked)
- PLL frequency multiplier to generate 4 times of input frequency
- Dividers to generate clocks LL1.5, LL2, LL2A, LL3 and LL3T (4th, 3rd and 2nd multiples of input frequency)
- Skew control for clock outputs
- Reset control and power fail detection

SAA9051A not for new designs,
for new applications use
SAA9057B or SAA7157

QUICK REFERENCE DATA

SYMBOL	PARAMETER	MIN.	TYP.	MAX.	UNIT
V _{DDA}	analog supply voltage (pin 5)	5.0	5.2	5.5	V
V _{DDD}	digital supply voltage (pins 8, 17)	4.5	5.0	5.5	V
I _{DDA}	analog supply current	6	-	18	mA
I _{DDD}	digital supply current	10	-	60	mA
V _{LFCO}	LFCO input voltage (peak-to-peak value)	1	-	V _{DDA}	V
f _i	input frequency range	6.25	-	7.25	MHz
V _I	input voltage LOW	0	-	0.8	V
	input voltage HIGH	2.4	-	V _{DDD}	V
V _O	output voltage LOW	0	-	0.6	V
	output voltage HIGH	2.6	-	V _{DDD}	V
T _{amb}	operating ambient temperature range	0	-	70	°C

GENERAL DESCRIPTION

The SAA9057A generates all clock signals required for a digital TV system suitable for the SAA90xx family. Optional extras (feature box etc.) can be driven via external buffers, advantageous for a digital TV system based on display standard conversion concepts.

ORDERING INFORMATION

EXTENDED TYPE NUMBER	PACKAGE			
	PINS	PIN POSITION	MATERIAL	CODE
SAA9057A	20	DIL	plastic	SOT146
SAA9057AT	20	mini-pack (SO20)	plastic	SOT163A

Clock signal generator circuit for digital TV systems (CGC)

SAA9057A

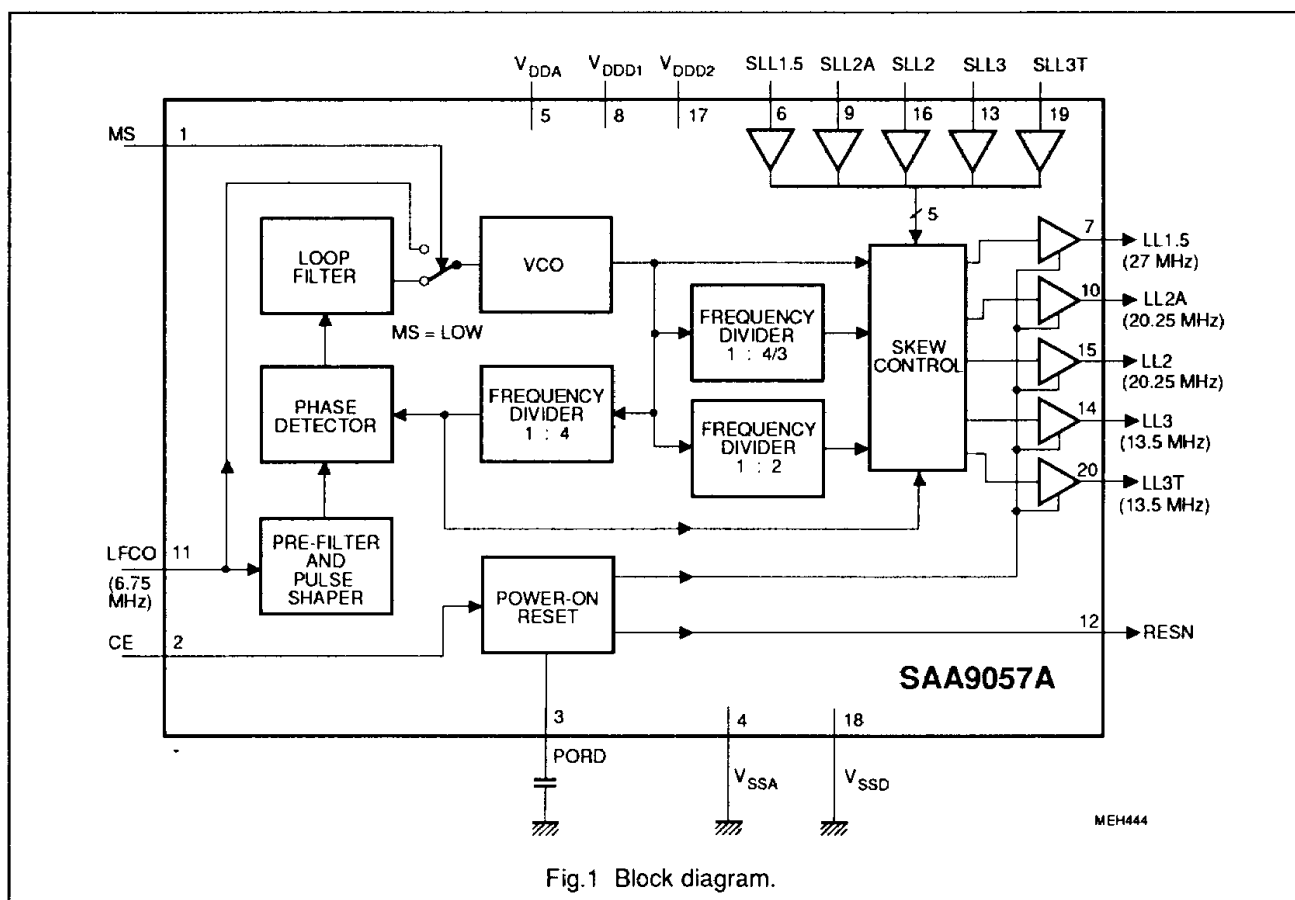


Fig.1 Block diagram.

FUNCTION DESCRIPTION

The SAA9057A generates all clock signals required for a digital TV system suitable for the SAA90xx family. Optional extras (feature box etc.) can be driven via external buffers, advantageous for a digital TV system based on display standard conversion concepts. The 6.75 MHz input signal LFCO, coming from SAA 9051, is multiplied to 27 MHz by the PLL (including phase detector, loop filter, VCO and frequency divider) and output on LL1.5 (pin7). The 20.25 MHz and 13.5 MHz frequencies are generated by dividers using ratios of 1 : 4/3 and 1 : 2 and output on LL2 and LL3 (pins 10, 15, 14 and 20). Each of the outputs is skew-controlled to achieve temperature and load-independent phase relationships

between the clock signals. The rectangular output signals have 50 % duty factor.

The skew control is checking the clock signals on the corresponding buffer outputs (Fig.5). Unused outputs have to be connected directly to the corresponding sensor input.

Mode select MS

The LFCO input signal is directly connected to the VCO at MS = HIGH. The circuit operates as an oscillator and frequency divider. This function is not tested.

Chip enable CE

The buffer outputs are enabled and RESN is set to HIGH by CE = HIGH (Fig.4). CE = LOW sets the clock outputs and RESN to high-impedance state.

Power-on reset

Power-on reset is activated at power-on, when the supply voltage decreases below 3.5 V (Fig.4) or when chip enable is done. The indicator output RESN is LOW for a time determined by capacitor on pin 3. The RESN signal can be applied to reset other circuit of this digital TV system.

The LFCO input signal has to be applied before RESN becomes HIGH.

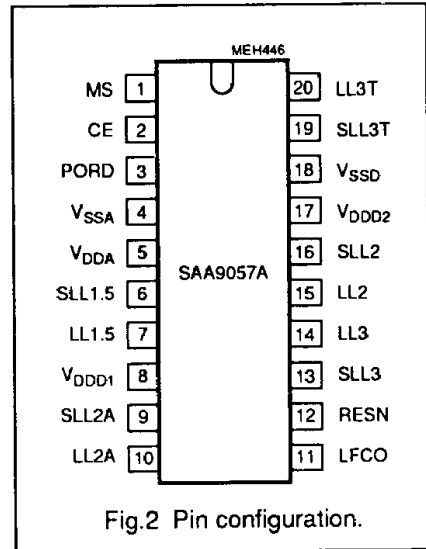
Clock signal generator circuit for digital TV systems (CGC)

SAA9057A

PINNING

SYMBOL	PIN	DESCRIPTION
MS	1	mode select input (LOW = PLL mode)
CE	2	chip enable /reset (HIGH = outputs enabled)
PORD	3	power-on reset delay, dependent on external capacitor
V _{SSA}	4	analog ground (0 V)
V _{DDA}	5	analog supply voltage (+5 V)
SLL1.5	6	sensor input for output LL1.5
LL1.5	7	line-locked clock output signal (4 times f_{LFCO})
V _{DDD1}	8	digital supply voltage 1 (+5 V)
SLL2A	9	sensor input for output LL2A
LL2A	10	line-locked clock output signal for ADC (3 times f_{LFCO})
LFCO	11	line-locked input frequency
RESN	12	reset output (active-LOW)
SLL3	13	sensor input for output LL3
LL3	14	line-locked clock output signal (2 times f_{LFCO})
LL2	15	line-locked clock output signal (3 times f_{LFCO})
SLL2	16	sensor input for output LL2
V _{DDD2}	17	digital supply voltage 2 (+5 V)
V _{SSD}	18	digital ground (0 V)
SLL3T	19	sensor input for output LL3T
LL3T	20	line-locked clock output signal (2 times f_{LFCO})

PIN CONFIGURATION



LIMITING VALUES

In accordance with the Absolute Maximum Rating System (IEC 134).

SYMBOL	PARAMETER	MIN.	MAX.	UNIT
V _{DDA}	analog supply voltage (pin 5)	-0.5	7.0	V
V _{DDD}	digital supply voltage (pins 8 and 17)	-0.5	7.0	V
V _{diff GND}	difference voltage V _{DDA} - V _{DDD}	-	±100	mV
V _O	output voltage (I _{OM} = 20 mA)	-0.5	V _{DDD}	V
P _{tot}	total power dissipation	0	1.1	W
T _{stg}	storage temperature range	-65	150	°C
T _{amb}	operating ambient temperature range	0	70	°C
V _{ESD}	electrostatic handling* for all pins	-	tbf	V

* Inputs and outputs are protected against electrostatic discharge in normal handling. However, to be totally safe, it is recommended to take normal handling precautions appropriate to "Handling MOS devices".

Clock signal generator circuit for digital TV systems (CGC)

SAA9057A

CHARACTERISTICS
 $V_{DDA} = 5.0$ to 5.5 V; $V_{DDD} = 4.5$ to 5.5 V; $f_{LFCO} = 6.25$ to 7.25 MHz and $T_{amb} = 0$ to 70 °C unless otherwise specified.

SYMBOL	PARAMETER	CONDITIONS	MIN.	TYP.	MAX.	UNIT
V_{DDA}	analog supply voltage (pin 5)		5.0	5.2	5.5	V
V_{DDD}	digital supply voltage (pins 8 and 17)		4.5	5.0	5.5	V
i_{DDA}	analog supply current (pin 5)		6	-	18	mA
I_{DDD}	digital supply current ($I_8 + I_{17}$)	note 1	10	-	60	mA
V_{reset}	power-on reset threshold voltage	Fig.4	-	3.5	-	V
Input LFCO (pin 11)						
V_{11}	DC input voltage		0	-	V_{DDA}	V
V_i	input signal (peak-to-peak value)		1	-	V_{DDA}	V
f_{LFCO}	input frequency range		6.25	-	7.25	MHz
C_{11}	input capacitance		-	-	10	pF
Inputs MS, CE, SLLx (pins 1, 2, 6, 9, 13,16 and 19) note 3						
V_{IL}	input voltage LOW		0	-	0.8	V
V_{IH}	input voltage HIGH		2.4	-	V_{DDD}	V
I_{LI}	input leakage current		-	-	10	μ A
C_i	input capacitance		-	-	5	pF
Output RESN (pin 12)						
V_{OH}	output voltage LOW	$I_{OL} = 2$ mA	0	-	0.4	V
V_{OL}	output voltage HIGH	$I_{OH} = -0.5$ mA	2.4	-	V_{DDD}	V
I_{LI}	output leakage current		-	-	± 10	μ A
t_d	RESN delay time	$C_3 = 0.1$ μ F; Fig.4	20	-	200	ms
Output signals LL1.5, LL2, LL2A, LL3, LL3T (pins 7, 10, 14, 15 and 20)						
V_{OL}	output voltage LOW	$I_{OL} = 2$ mA	0	-	0.6	V
V_{OH}	output voltage HIGH	$I_{OH} = -0.5$ mA	2.6	-	V_{DDD}	V
I_{LI}	output leakage current	high-impedance	-	-	± 10	μ A
t_{comp}	composite rise time	note 1; note 2	-	-	9	ns
f_{LL}	output frequency LL1.5	Fig.3	-	$4 f_{LFCO}$	-	MHz
	output frequency LL2		-	$3 f_{LFCO}$	-	MHz
	output frequency LL2A		-	$3 f_{LFCO}$	-	MHz
	output frequency LL3		-	$2 f_{LFCO}$	-	MHz
	output frequency LL3T		-	$2 f_{LFCO}$	-	MHz
t_{LL}	duty factor LL1.5 and LL2	note 1; Fig.3	40	50	60	%
	duty factor LL2A, LL3 and LL3T	note 1; Fig.3	43	50	57	%
t_r, t_f	rise and fall times	note 1; Fig.3	-	-	6	ns

Clock signal generator circuit for digital TV systems (CGC)

SAA9057A

Notes to the characteristics

1. $f_{LFCO} = 7.0$ MHz and output load 40 pF. V_{SSA} and V_{SSD} short connected together.
2. t_{comp} is the rise time from LOW of all clocks to HIGH of all clocks (Fig.3) including rise time, skew and jitter components. Measurements taken between 0.6 V and 2.6 V.
3. MS function is not tested.

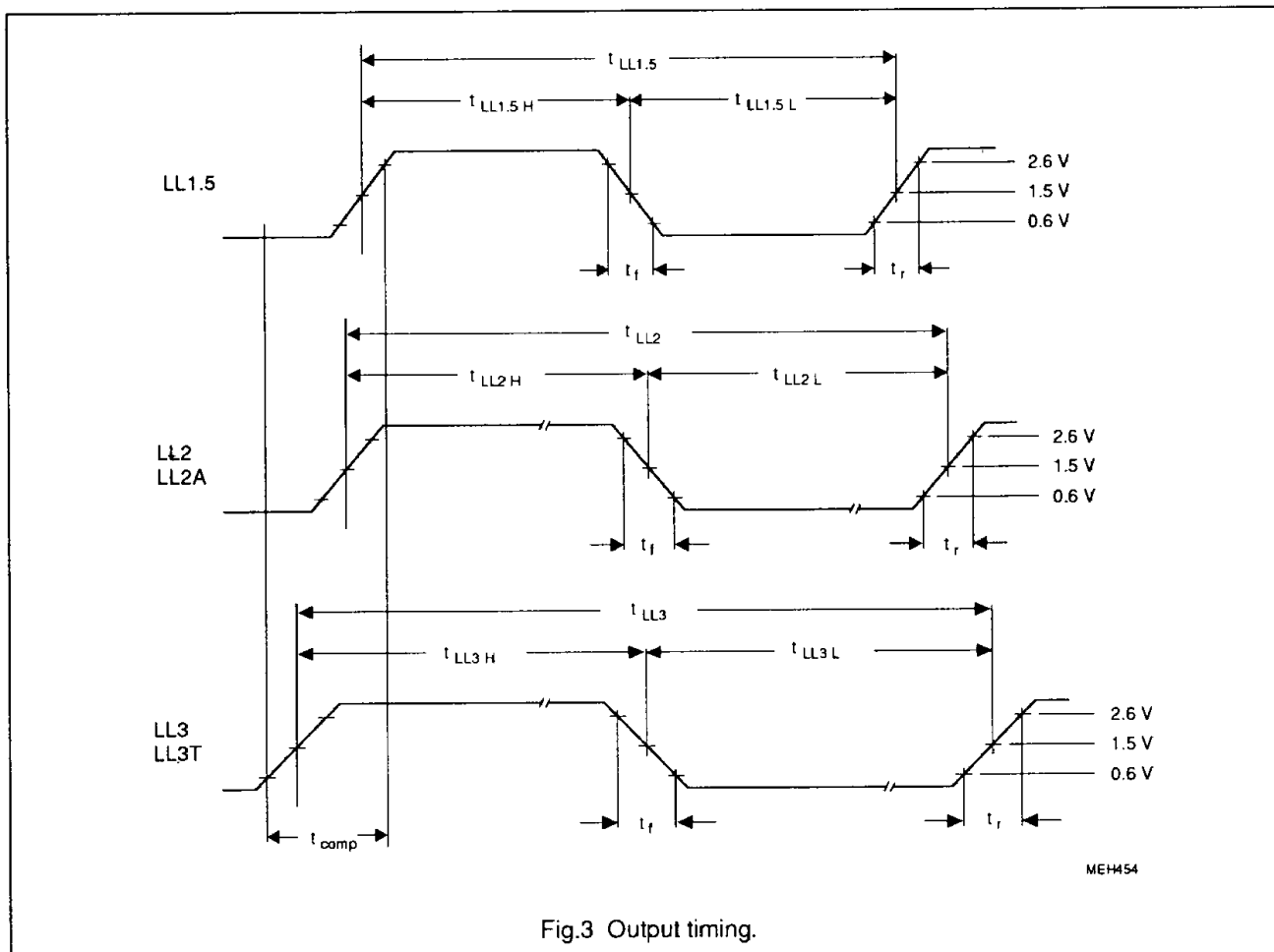


Fig.3 Output timing.

Clock signal generator circuit for digital TV systems (CGC)

SAA9057A

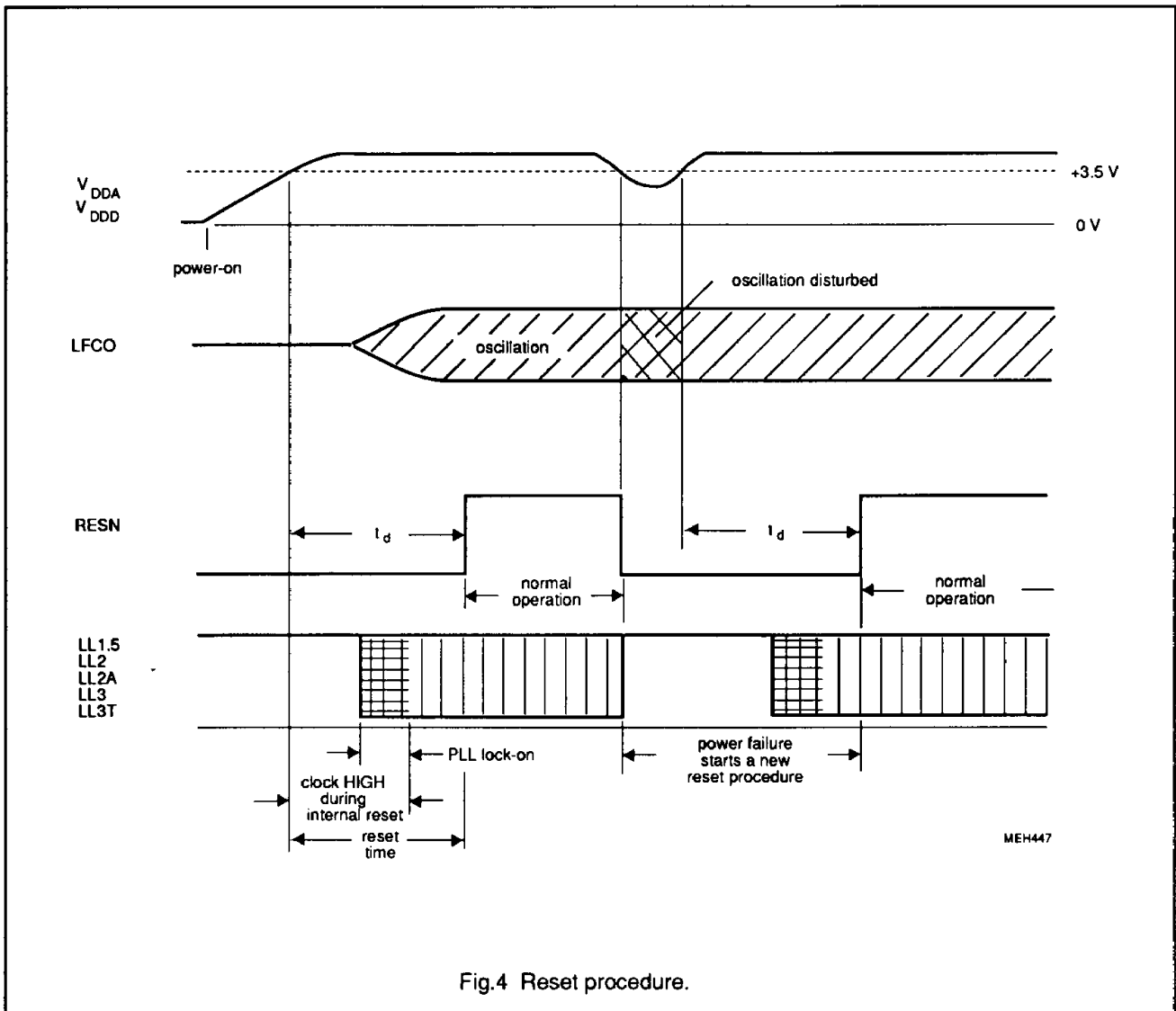


Fig.4 Reset procedure.

Clock signal generator circuit for digital TV systems (CGC)

SAA9057A

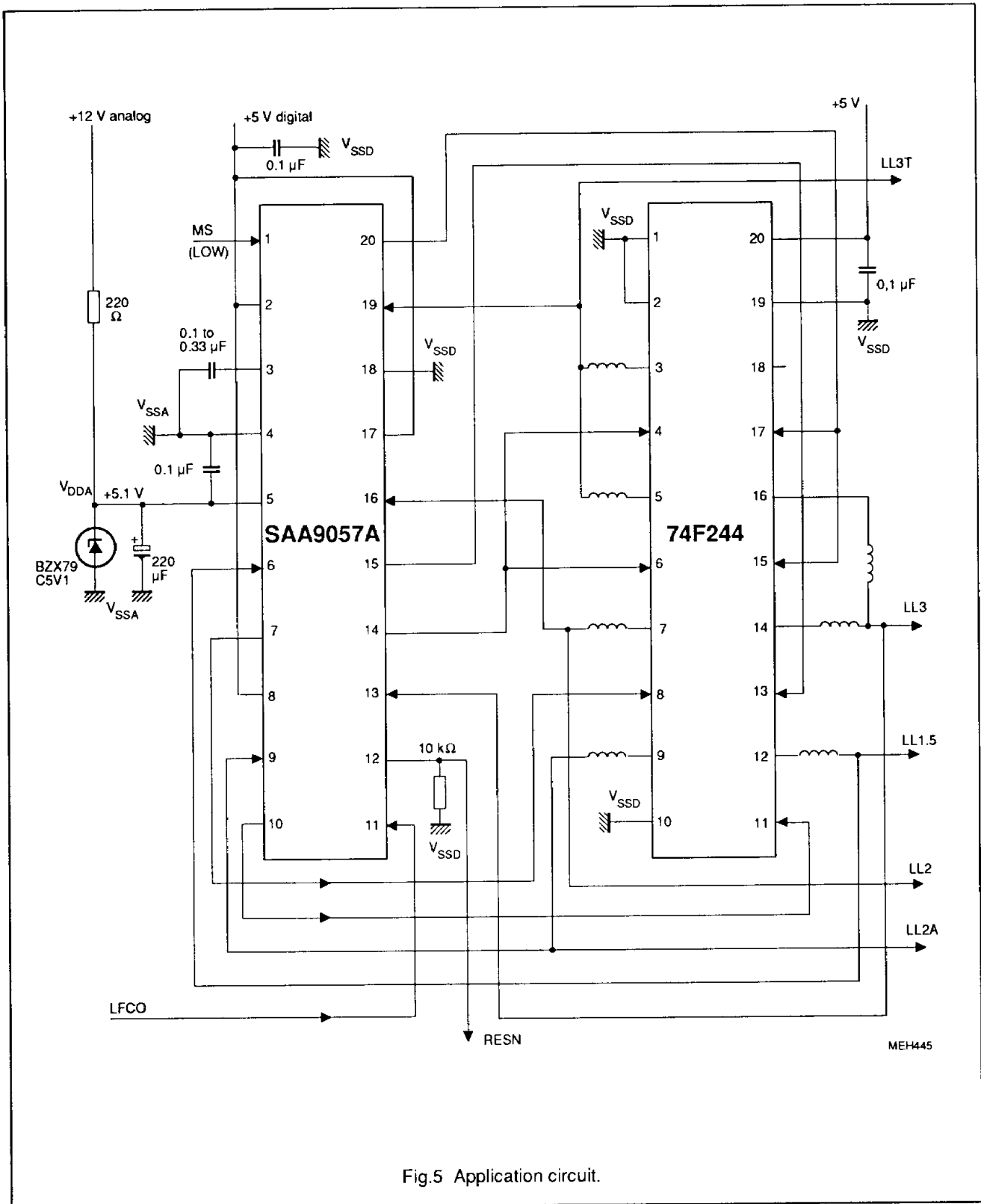


Fig.5 Application circuit.

Clock signal generator circuit for digital TV systems (CGC)

SAA9057A

