

PLEASE CHECK WWW.MOLEX.COM FOR LATEST PART INFORMATION

Part Number: [0355281200](#)
Status: **Active**
Description: 2.50mm (.098") Pitch Wire-to-Wire Male Housing with Mounting Ear, Positive Locking, Vertical, 12 Circuits

Documents:

[Drawing \(PDF\)](#) [RoHS Certificate of Compliance \(PDF\)](#)
[Product Specification PS-35528-001 \(PDF\)](#)

Agency Certification

CSA LR19980
 UL E29179

General

Product Family Crimp Housings
 Series [35528](#)
 Product Name N/A

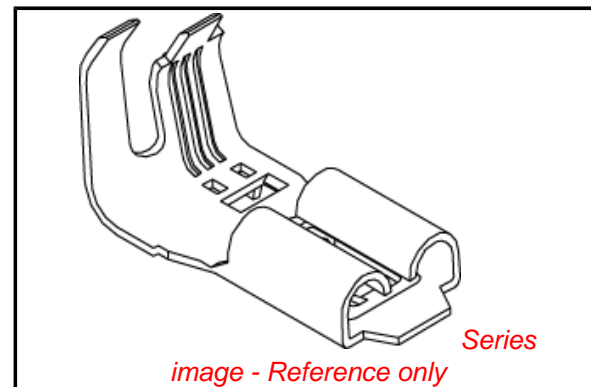
Physical

Circuits (maximum) 12
 Color - Resin Natural
 Flammability 94V-0
 Gender Male
 Glow-Wire Compliant No
 Material - Resin Polyester
 Number of Rows 1
 Packaging Type Bag
 Panel Mount Yes
 Pitch - Mating Interface (in) 0.098 In
 Pitch - Mating Interface (mm) 2.50 mm
 Stackable No
 Temperature Range - Operating -40°C to +105°C

Material Info

Reference - Drawing Numbers

Product Specification PS-35528-001
 Sales Drawing SD-35528-**00



EU RoHS

**ELV and RoHS
 Compliant
 REACH SVHC
 Contains SVHC: No
 Halogen-Free
 Status**

China RoHS



**Need more information on product
 environmental compliance?**

Email productcompliance@molex.com
 For a multiple part number RoHS Certificate of Compliance, [click here](#)

Please visit the [Contact Us](#) section for any non-product compliance questions.

Search Parts in this Series

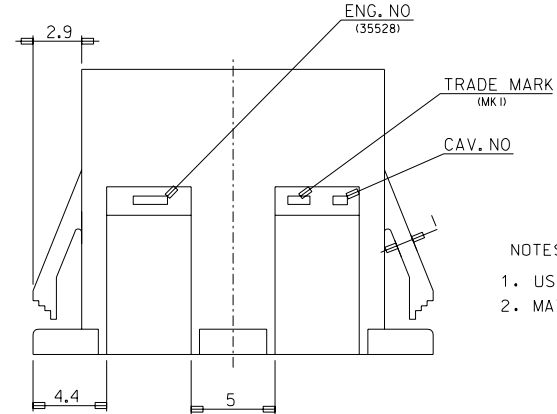
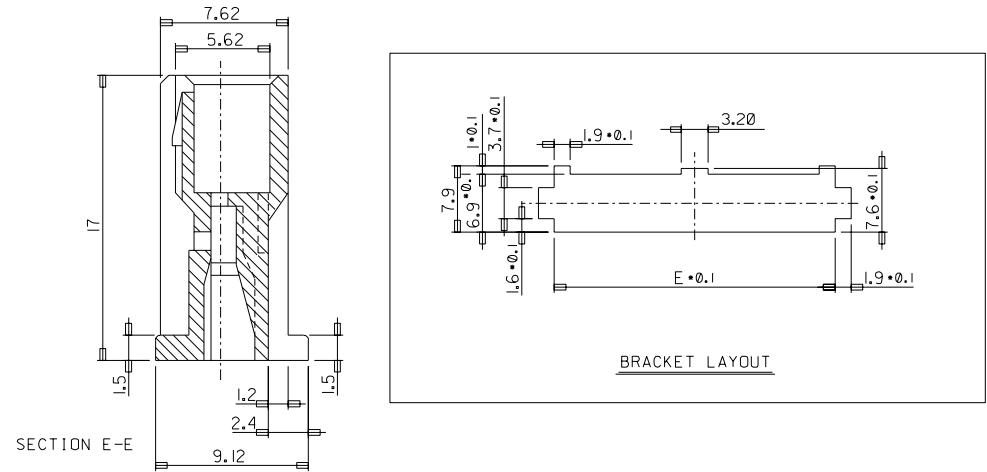
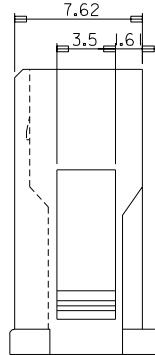
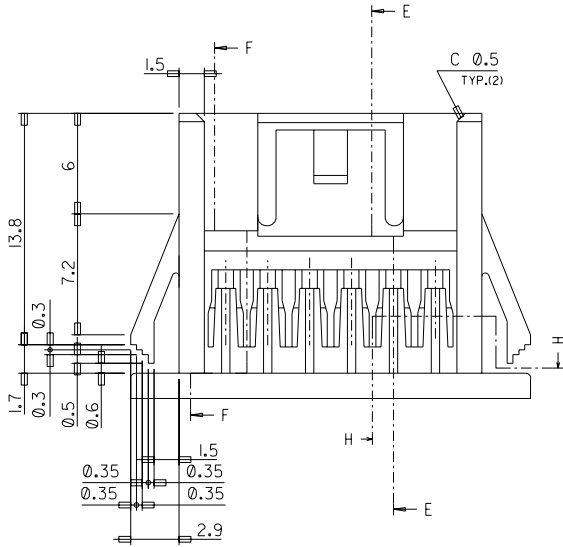
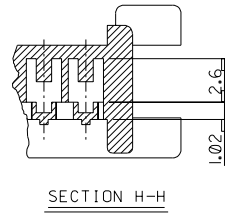
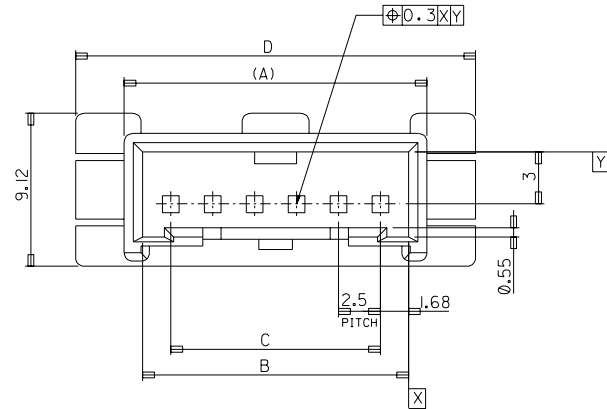
[35528Series](#)

Mates With

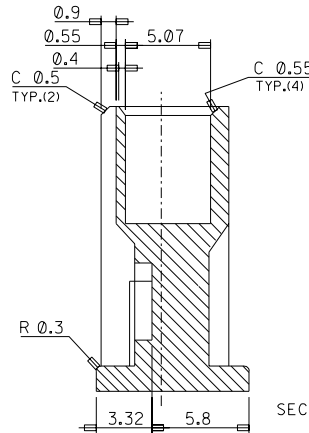
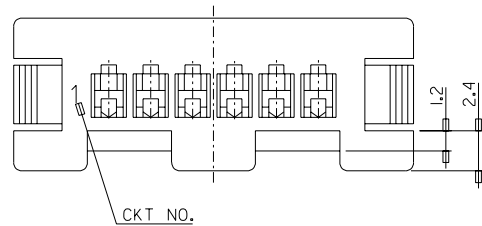
[35563](#)

Use With

[35053](#)



- NOTES
- USED WITH TERMINAL : 35053-9002
 - MATED WITH FEMALE HOUSING : 35530-***00



36.0	41.36	30.0	33.36	35.56	35528-1300	13
33.5	38.86	27.5	30.86	33.06	35528-1200	12
E	D	C	B	A	ENG. NO	CKT

MATERIAL		PBT, UL94V-0		molex MOLEX-KOREA CO.,LTD.	
GENERAL TOLERANCE		DRAWN BY		CHK'D BY	
DIMENSION :		K.S.KIM		J.K.OH	
ANGLE :		APP'D BY		SCALE	
DIMENSION CLASSIFICATION		C.W.LEE		3 : 1	
▽ : CRITICAL ▼ : MAJOR		TITLE :		SHEET	
() : REFERENCE		2.5 W/W CONN. HOUSING		1 OF 1	
ASS'Y PART		(MOUNT EAR)		REV	
DESCRIPTION		ENG. NO.		A	
REVISE ONLY ON CAD SYSTEM		ENG. NO.		SD 35528-***00	