



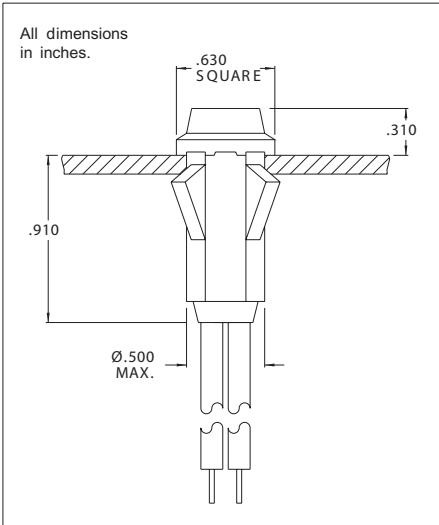
Chicago Miniature Lighting, LLC

Lighting the world since 1910

1050N, 1052N and 1090N Series Non-Relampable Neon-Incandescent Indicator Lights

1050N, 1052N and 1090N Series Non-Relampable Neon-Incandescent Indicator Lights

DESCRIPTION AND FEATURES



Mounting: Will snap-fit into Ø.500/.505 hole in panels .020/.100 thick. Push-on speednut SN0461 also available. Mounting hole pattern on page SP2.

Wire Leads: No.22 AWG (105°C), 4.40/4.80 long, stripped .430/.570

Lens: Polycarbonate

Bezel: Polished stainless steel. For black finish add "X" after the series letter(s).

Housing: White Nylon

Lens Color	Neon	Incandescent	
	Model No. (105-125VAC)	Model No. (12V)	Model No. (28V)
Red	1050N1	1090N1-12V	1090N1-28V
Clear	1050N2	-	-
Amber	1050N3	1090N3-12V	1090N3-28V
White	1050N4	1090N4-12V	1090N4-28V
Green	1052N5*	1090N5-12V	1090N5-28V
Lamp used	C2A+R resistor	#2162	#2187
Lead Color	Black	Yellow	Purple

* Incorporates G2B lamp and resistor.
Underwriters Laboratories (UL) File No. E20325
Canadian Standards Association (CSA) File No. LR13346

147 Central Avenue
Hackensack, NJ 07601
Phone: (201) 489-8989
Fax: (201) 489-6911

18703 Dix Toledo Road
Brownstown, MI 48193

Saret Zone Franca, Edificio B
Alajuela Costa Rica

E-mail:sales@chml.com • Web Site: www.chml.com

Chicago Miniature Lighting, LLC reserves the right to make specification revisions that enhance the design and/or performance of the product