

RM7935/RM7965

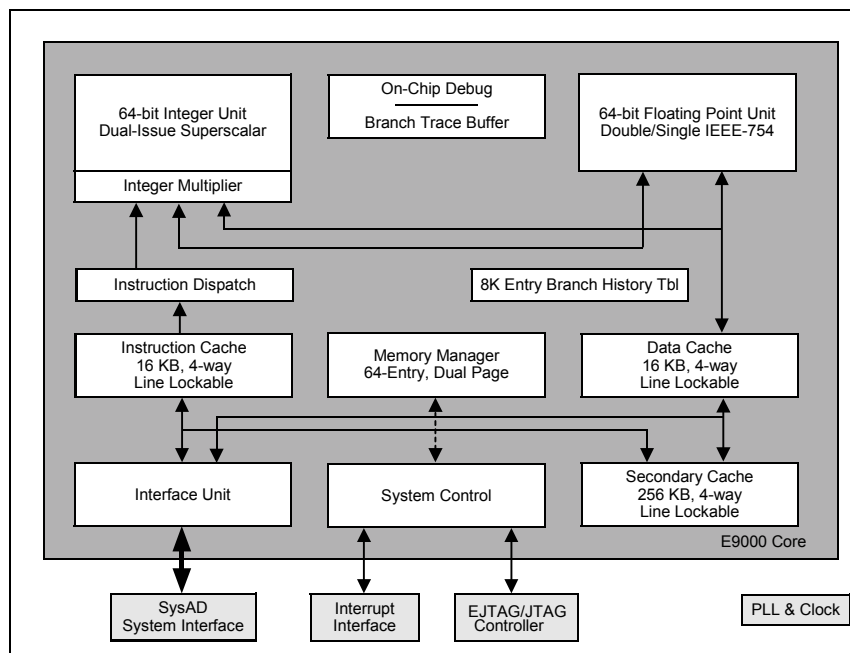
64-bit Microprocessors with Integrated L2 Cache and EJTAG

Released
Product Brief

PRODUCT HIGHLIGHTS

- New high performance MIPS64-compatible Instruction Set Architecture with integrated L2 cache and EJTAG:
 - 668, 750, 835 and 900 MHz operating frequency.
 - 1890 Dhrystone 2.1 MIPS @ 900 MHz.
 - Dual-issue superscalar 7-stage pipeline.
 - 16 Kbyte, 4-way set associative L1 Instruction cache.
 - 16 Kbyte, 4-way set associative L1 Data cache.
 - 256 Kbyte, 4-way set associative L2 cache with industry best 5-cycle access latency.
 - Fast Packet Cache to assist processing of packet data.
 - 8K entry branch prediction table.
 - Fully associative 64-entry TLB with dual pages.
 - High-performance Floating Point Unit (IEEE 754).
 - Fixed-point DSP instructions such as Multiply/Add, Multiply/Subtract, and 3 Operand Multiply.
- High-performance system interface:
 - 32-bit multiplexed address/data (SysAD) bus with RM7935.
 - 64-bit SysAD with RM7965.
 - Multiple outstanding reads with out-of-order return.
 - 1600 Mbyte/s peak throughput.
 - 200 MHz maximum frequency using HSTL signaling on the SysAD bus.
 - SysAD bus supports 1.5 V, 2.5 V, 3.3 V I/O logic.
 - Processor clock multipliers 2, 3, 3.5, 4, 4.5, 5, 5.5, 6, 6.5, 7, 7.5, 8, 8.5, 9, 10, 11, 12, 13, 14, 15, 16, 17.
- Integrated on-chip EJTAG capability.
- A 64-entry dynamic Trace Buffer for use in real-time trace and debug.
- Two 32-bit virtually-addressed Watch registers.
- Integrated performance counters:
 - 2 independent 32-bit counters.
 - Counts over 30 processor events including miss predicted branches.
 - Enables full characterization and analysis of application software.

BLOCK DIAGRAM



PACKAGING

- RM7935 is available in a 128-pin enhanced exposed pad (eePad) package (20 x 20 mm), pin-compatible with the RM5231A and RM7035C exposed pad products.
- RM7965 package options:
 - 256-pin TBGA package, 27 x 27 mm, pin compatible with RM7065A and RM7065C TBGA products.
 - 216-pin enhanced exposed pad (eePad) package, 24 x 24 mm, pin compatible with the RM5261A and RM7965C exposed pad products.

DEVELOPMENT TOOLS

OPERATING SYSTEMS

- Linux
- VxWorks

EJTAG EMULATORS

- Wind River
- Corelis

EVALUATION BOARDS

- Momentum Computer
- Marvell Semiconductor

COMPANION CHIPS

- Marvell Semiconductor: (MV-64340, GT-64240)

APPLICATIONS

- Voice Gateways
- Multi-Service Access Platforms
- DSLAMs/Access Concentrators
- Remote Access Switches
- Web Switches
- Layer 3 Switches
- Backbone Switches/Routers
- RAIDs
- Set Top Boxes
- Networked Printers
- Cellular Base Stations

TYPICAL APPLICATIONS

