



Features

- 8Mb: 256K x 36 or 512K x 18 organizations
4Mb: 128K x 36 or 256K x 18 organizations
- 0.25 Micron CMOS technology
- Synchronous Pipeline Mode of Operation with Self-Timed Late Write
- Differential Clocks
- +3.3V Power Supply, Ground, 2.0V V_{DDQ}
- 2.0V LVTTTL Input and Output levels
- Registered Addresses, Write Enables, Synchronous Select, and Data Ins
- Registered Outputs
- 40 Ohm Drivers
- Common I/O
- Asynchronous Output Enable
- Synchronous Power Down Input
- Boundary Scan using limited set of JTAG 1149.1 functions
- Byte Write Capability and Global Write Enable
- 7 x 17 Bump Ball Grid Array Package with SRAM JEDEC Standard Pinout and Boundary SCAN Order

Description

The 4Mb and 8Mb SRAMs—IBM0436A41MLAB, IBM0418A41MLAB, IBM0418A81MLAB, and IBM0436A81MLAB—are Synchronous Pipeline Mode, high-performance CMOS Static Random Access Memories that are versatile, have wide I/O, and can achieve 3.0ns cycle times. Differential K clocks are used to initiate the read/write operation and all internal operations are self-timed. At the ris-

ing edge of the K clock, all Addresses, Write-Enables, Sync Select, and Data Ins are registered internally. Data Outs are updated from output registers off the next rising edge of the K clock. An internal Write buffer allows write data to follow one cycle after addresses and controls. The device is operated with a single +3.3V power supply and is compatible with 2.0V LVTTTL I/O interfaces.

x36 BGA Pinout (Top View)

	1	2	3	4	5	6	7
A	V _{DDQ}	SA	SA	NC	SA	SA	V _{DDQ}
B	NC	NC	SA	NC	SA	NC,SA(8Mb)	NC
C	NC	SA	SA	V _{DD}	SA	SA	NC
D	DQ19	DQ18	V _{SS}	NC	V _{SS}	DQ9	DQ10
E	DQ22	DQ20	V _{SS}	\overline{SS}	V _{SS}	DQ11	DQb13
F	V _{DDQ}	DQ21	V _{SS}	\overline{G}	V _{SS}	DQ12	V _{DDQ}
G	DQ24	DQ23	\overline{SBWc}	NC	\overline{SBWb}	DQ14	DQb15
H	DQ25	DQ26	V _{SS}	NC	V _{SS}	DQ17	DQb16
J	V _{DDQ}	V _{DD}	NC	V _{DD}	NC	V _{DD}	V _{DDQ}
K	DQ34	DQ35	V _{SS}	K	V _{SS}	DQ8	DQ7
L	DQ33	DQ32	\overline{SBWd}	\overline{K}	\overline{SBWa}	DQ5	DQ6
M	V _{DDQ}	DQ30	V _{SS}	\overline{SW}	V _{SS}	DQ3	V _{DDQ}
N	DQ31	DQ29	V _{SS}	SA	V _{SS}	DQ2	DQ4
P	DQ28	DQ27	V _{SS}	SA	V _{SS}	DQ0	DQ1
R	NC	SA	M1*	V _{DD}	M2*	SA	NC
T	NC	NC	SA	SA	SA	NC	ZZ
U	V _{DDQ}	TMS	TDI	TCK	TDO	NC	V _{DDQ}

Note: * M1 and M2 are clock mode pins. For this application, M1 and M2 need to connect to V_{SS} and V_{DD}, respectively.

x18 BGA Pinout (Top View)

	1	2	3	4	5	6	7
A	V _{DDQ}	SA	SA	NC	SA	SA	V _{DDQ}
B	NC	NC	SA	NC	SA	NC,SA(8Mb)	NC
C	NC	SA	SA	V _{DD}	SA	SA	NC
D	DQ14	NC	V _{SS}	NC	V _{SS}	DQ0	NC
E	NC	DQ15	V _{SS}	\overline{SS}	V _{SS}	NC	DQ1
F	V _{DDQ}	NC	V _{SS}	\overline{G}	V _{SS}	DQ2	V _{DDQ}
G	NC	DQ16	\overline{SBWb}	NC	NC	NC	DQ3
H	DQ17	NC	V _{SS}	NC	V _{SS}	DQ4	NC
J	V _{DDQ}	V _{DD}	NC	V _{DD}	NC	V _{DD}	V _{DDQ}
K	NC	DQ13	V _{SS}	K	V _{SS}	NC	DQ8
L	DQ12	NC	NC	\overline{K}	\overline{SBWa}	DQ7	NC
M	V _{DDQ}	DQ10	V _{SS}	\overline{SW}	V _{SS}	NC	V _{DDQ}
N	DQ11	NC	V _{SS}	SA	V _{SS}	DQ6	NC
P	NC	DQ9	V _{SS}	SA	V _{SS}	NC	DQ5
R	NC	SA	M1	V _{DD}	M2	SA	NC
T	NC	SA	SA	NC	SA	SA	ZZ
U	V _{DDQ}	TMS	TDI	TCK	TDO	NC	V _{DDQ}

Note: * M1 and M2 are clock mode pins. For this application, M1 and M2 need to connect to V_{SS} and V_{DD}, respectively.



Pin Description

SA0-SA18	Address Input SA0-SA18 for 512K x 18 SA0-SA17 for 256K x 36 SA0-SA17 for 256K x 18 SA0-SA16 for 128K x 36	\overline{G}	Asynchronous Output Enable
DQ0-DQ35	Data I/O DQ0-DQ17 for 512K x 18 DQ0-DQ35 for 256K x 36	\overline{SS}	Synchronous Select
K, \overline{K}	Differential Input Register Clocks	M1, M2	Clock Mode Inputs- Selects Single or Dual Clock Operation.
\overline{SW}	Write Enable, Global	V_{DD}	Power Supply (+3.3V)
\overline{SBW}_a	Write Enable, Byte a (DQ0-DQ8)	V_{SS}	Ground
\overline{SBW}_b	Write Enable, Byte b (DQ9-DQ17)	V_{DDQ}	Output Power Supply
\overline{SBW}_c	Write Enable, Byte c (DQ18-DQ26)	ZZ	Synchronous Sleep Mode
\overline{SBW}_d	Write Enable, Byte d (DQ27-DQ35)	NC	No Connect
TMS, TDI, TCK	IEEE 1149.1 Test Inputs (LVTTTL levels)		
TDO	IEEE 1149.1 Test Output (LVTTTL level)		

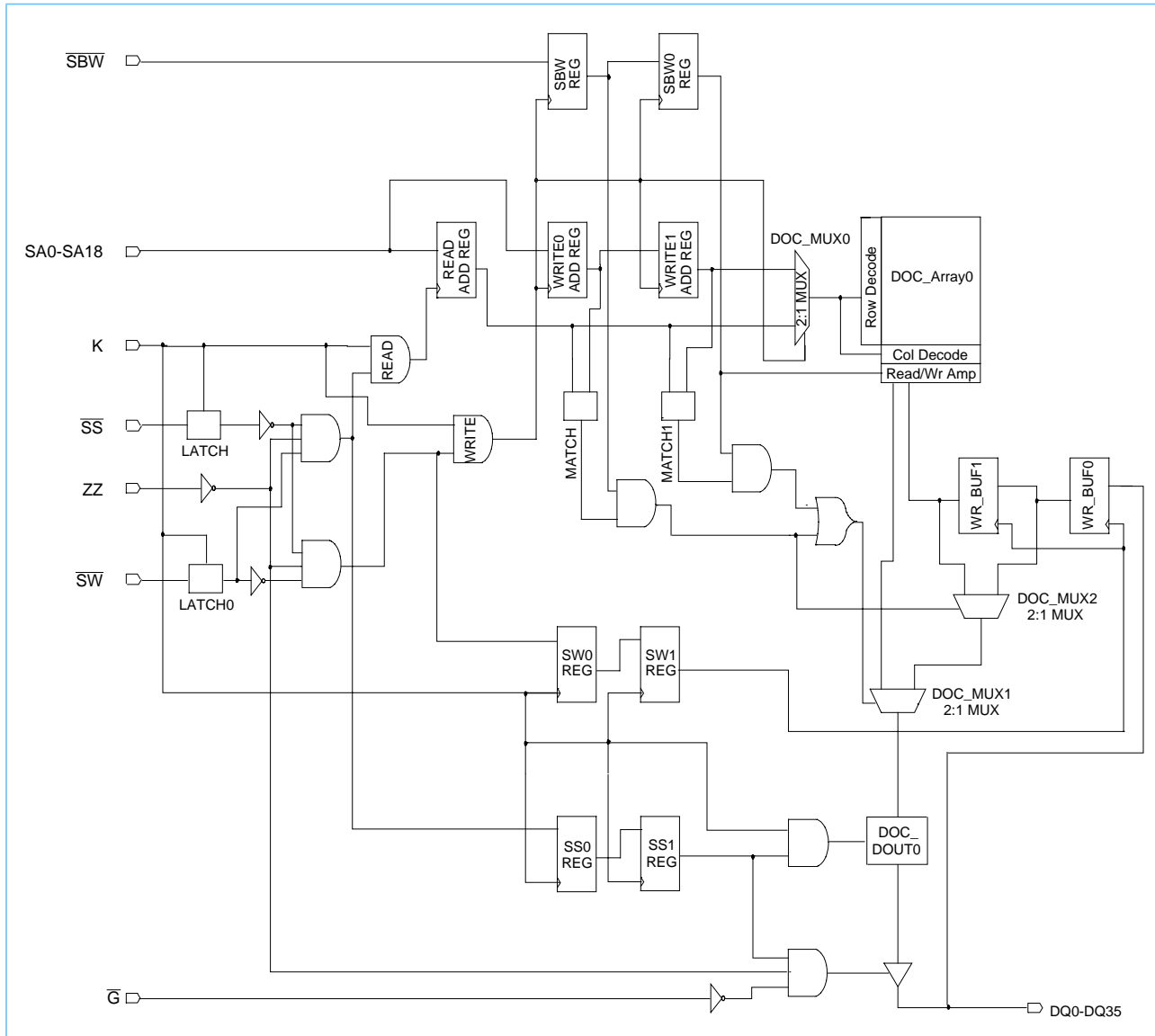


Ordering Information

Part Number	Organization	Speed	Leads
IBM0418A41MLAB - 3	256K x 18	1.8ns Access / 3.0ns Cycle	7 x 17 BGA
IBM0418A41MLAB - 3F	256K x 18	2.0ns Access / 3.3ns Cycle	7 x 17 BGA
IBM0418A41MLAB - 3N	256K x 18	2.0ns Access / 3.7ns Cycle	7 x 17 BGA
IBM0418A41MLAB - 4	256K x 18	2.25ns Access / 4.0ns Cycle	7 x 17 BGA
IBM0418A41MLAB - 5	256K x 18	2.5ns Access / 5.0ns Cycle	7 x 17 BGA
IBM0436A41MLAB - 3	128K x 36	1.8ns Access / 3.0ns Cycle	7 x 17 BGA
IBM0436A41MLAB - 3F	128K x 36	2.0ns Access / 3.3ns Cycle	7 x 17 BGA
IBM0436A41MLAB - 3N	128K x 36	2.0ns Access / 3.7ns Cycle	7 x 17 BGA
IBM0436A41MLAB - 4	128K x 36	2.25ns Access / 4.0ns Cycle	7 x 17 BGA
IBM0436A41MLAB - 5	128K x 36	2.5ns Access / 5.0ns Cycle	7 x 17 BGA
IBM0418A81MLAB - 3	512K x 18	1.8ns Access / 3.0ns Cycle	7 x 17 BGA
IBM0418A81MLAB - 3F	512K x 18	2.0ns Access / 3.3ns Cycle	7 x 17 BGA
IBM0418A81MLAB - 3N	512K x 18	2.0ns Access / 3.7ns Cycle	7 x 17 BGA
IBM0418A81MLAB - 4	512K x 18	2.25ns Access / 4.0ns Cycle	7 x 17 BGA
IBM0418A81MLAB - 5	512K x 18	2.5ns Access / 5.0ns Cycle	7 x 17 BGA
IBM0436A81MLAB - 3	256K x 36	1.8ns Access / 3.0ns Cycle	7 x 17 BGA
IBM0436A81MLAB - 3F	256K x 36	2.0ns Access / 3.3ns Cycle	7 x 17 BGA
IBM0436A81MLAB - 3N	256K x 36	2.0ns Access / 3.7ns Cycle	7 x 17 BGA
IBM0436A81MLAB - 4	256K x 36	2.25ns Access / 4.0ns Cycle	7 x 17 BGA
IBM0436A81MLAB - 5	256K x 36	2.5ns Access / 5.0ns Cycle	7 x 17 BGA



Block Diagram



SRAM Features

Late Write

Late Write function allows for write data to be registered one cycle after addresses and controls. This feature eliminates one bus-turnaround cycle, necessary when going from a Read to a Write operation. Late Write is accomplished by buffering write addresses and data so that the write operation occurs during the next write cycle. When a read cycle occurs after a write cycle, the address and write data information are stored temporarily in holding registers. During the first write cycle preceded by a read cycle, the SRAM array will be updated with address and data from the holding registers. Read cycle addresses are monitored to determine if read data is to be supplied from the SRAM array or the write buffer. The bypassing of the SRAM array occurs on a byte-by-byte basis. When only one byte is written during a write cycle, read data from the last written address will have new byte data from the write buffer and remaining bytes from the SRAM array.

Mode Control

Mode control pins M1 and M2 are used to select four different JEDEC-standard read protocols. This SRAM supports Single Clock, Pipeline (M1 = V_{SS} , M2 = V_{DD}). This datasheet only describes Single Clock Pipeline functionality. Mode control inputs must be set with power up and must not change during SRAM operation. This SRAM is tested only in the Pipeline mode.

Sleep Mode

Sleep Mode is enabled by switching synchronous signal ZZ High. When the SRAM is in Sleep mode, the outputs will go to a High-Z state and the SRAM will draw standby current. SRAM data will be preserved and a recovery time (t_{ZZR}) is required before the SRAM resumes normal operation.

Power-Up Requirements

In order to guarantee the optimum internally regulated supply voltage, the SRAM requires 4 μ s of power-up time after V_{DD} reaches its operating range.

Power-Up and Power-Down Sequencing

The Power supplies need to be powered up in the following order: V_{DD} , V_{DDQ} and Inputs. The power-down sequencing must be the reverse. V_{DDQ} can be allowed to exceed V_{DD} by no more than 0.6V.



Clock Truth Table

K	ZZ	SS	SW	\overline{SBWa}	\overline{SBWb}	\overline{SBWc}	\overline{SBWd}	DQ (n)	DQ (n+1)	Mode
L→H	L	L	H	X	X	X	X	X	D _{OUT} 0-35	Read Cycle All Bytes
L→H	L	L	L	L	H	H	H	X	D _{IN} 0-8	Write Cycle 1st Byte
L→H	L	L	L	H	L	H	H	X	D _{IN} 9-17	Write Cycle 2nd Byte
L→H	L	L	L	H	H	L	H	X	D _{IN} 18-26	Write Cycle 3rd Byte
L→H	L	L	L	H	H	H	L	X	D _{IN} 27-35	Write Cycle 4th Byte
L→H	L	L	L	L	L	L	L	X	D _{IN} 0-35	Write Cycle All Bytes
L→H	L	L	L	H	H	H	H	X	High-Z	Abort Write Cycle
L→H	L	H	X	X	X	X	X	X	High-Z	Deselect Cycle
X	H	X	X	X	X	X	X	High-Z	High-Z	Sleep Mode

Output Enable Truth Table

Operation (n, n+1)	\overline{G} (n)	DQ (n)	DQ (n+1)
Read	L	D _{OUT} 0-35	D _{OUT} 0-35
Read	H	High-Z	High-Z
Sleep (ZZ = H)	X	High-Z	High-Z
Write (\overline{SW} = L)	X	X	High-Z
Deselect (\overline{SS} = H)	X	X	High-Z

Absolute Maximum Ratings

Item	Symbol	Rating	Units	Notes
Power Supply Voltage	V _{DD}	-0.5 to 4.3	V	1
Output Power Supply Voltage	V _{DDQ}	-0.5 to 2.825	V	1
Input Voltage	V _{IN}	-0.5 to 4.3	V	1, 2
DQ Input Voltage	V _{DQIN}	-0.5 to 2.825	V	1
Operating Temperature	T _A	0 to 85	°C	1
Junction Temperature	T _J	110	°C	1
Storage Temperature	T _{STG}	-55 to +125	°C	1

1. Stresses greater than those listed under "Absolute Maximum Ratings" may cause permanent damage to the device. This is a stress rating only and functional operation of the device at these or any other conditions above those indicated in the operational sections of this specification is not implied. Exposure to absolute maximum rating conditions for extended periods may affect reliability.
2. Excludes DQ inputs.

Recommended DC Operating Conditions ($T_A = 0$ to $+85^\circ\text{C}$)

Parameter	Symbol	Min.	Typ.	Max.	Units	Notes
Supply Voltage	V_{DD}	3.3 - 5%	3.3	3.3 + 10%	V	1
Output Driver Supply Voltage	V_{DDQ}	1.8	2.0	2.1	V	1
Input High Voltage	V_{IH}	1.65	—	$V_{DD} + 0.3$	V	1, 2, 4
Input Low Voltage	V_{IL}	-0.3	—	0.4	V	1, 3, 4
DQ Input High Voltage	V_{IH-DQ}	1.65	—	2.1	V	1, 2
DQ Input Low Voltage	V_{IL-DQ}	-0.3	—	0.4	V	1, 3
K Clock Input High Voltage	V_{IH-CLK}	1.65	—	2.1	V	1, 2
K Clock Input Low Voltage	V_{IL-CLK}	-0.3	—	0.4	V	1

1. All voltages are referenced to V_{SS} . All V_{DD} , V_{DDQ} and V_{SS} pins must be connected.
2. $V_{IH}(\text{Max})\text{DC} = V_{DDQ} + 0.3$ V, $V_{IH}(\text{Max})\text{AC} = V_{DDQ} + 1.5$ V (pulse width $\leq 4.0\text{ns}$).
3. $V_{IL}(\text{Min})\text{DC} = -0.3$ V, $V_{IL}(\text{Min})\text{AC} = -1.5$ V (pulse width $\leq 4.0\text{ns}$).
4. It does not include DQs.



DC Electrical Characteristics ($T_A = 0$ to $+85^\circ\text{C}$, $V_{DD} = 3.3\text{V} -5\%, +10\%$)

Parameter	Symbol	Min.	Max.	Units	Notes
Average Power Supply Operating Current- x36 ($I_{OUT} = 0$, $V_{IN} = V_{IH}$ or V_{IL} , ZZ & $\overline{SS} = V_{IL}$)	I_{DD3} I_{DD3F} I_{DD3N} I_{DD4} I_{DD5}	—	0.470 0.450 0.435 0.420 0.370	A	1, 3
Average Power Supply Operating Current - x18 ($I_{OUT} = 0$, $V_{IN} = V_{IH}$ or V_{IL} , ZZ & $\overline{SS} = V_{IL}$)	I_{DD3} I_{DD3F} I_{DD3N} I_{DD4} I_{DD5}	—	0.450 0.430 0.415 0.400 0.350	A	1, 3
Power Supply Standby Current ($\overline{SS} = V_{IH}$, $ZZ = V_{IL}$. All other inputs = V_{IH} or V_{IH} , $I_{IH} = 0$)	I_{SBSS}	—	150	mA	1
Power Supply Sleep Current ($ZZ = V_{IH}$, All other inputs = V_{IH} or V_{IL} , $I_{OUT} = 0$)	I_{SBZZ}	—	100	mA	1, 5
Input Leakage Current, any input (except JTAG) ($V_{IN} = V_{SS}$ or V_{DDQ})	I_{LI}	-2	+2	μA	
Output Leakage Current ($V_{OUT} = V_{SS}$ or V_{DDQ} , DQ in High-Z)	I_{LO}	-5	+5	μA	
Output "High" Level Voltage ($I_{OH} = -8\text{mA}$)	V_{OH}	1.6	V_{DDQ}	V	2, 4
Output "Low" Level Voltage ($I_{OL} = +8\text{mA}$)	V_{OL}	V_{SS}	$V_{SS} + .4$	V	2, 4
JTAG Leakage Current ($V_{IN} = V_{SS}$ or V_{DD})	I_{LIJTAG}	-50	+10	μA	6

- I_{OUT} = Device Output Current.
- Minimum Impedance Output Driver.
- The numeric suffix indicates part operating at speed as indicated in AC Characteristics on page 11: i.e., I_{DD3} indicates 3ns cycle.
- JEDEC Standard JESD8-6 Class 1 Compatible.
- When $ZZ = \text{High}$, spec is guaranteed at 75°C junction temperature.
- For JTAG inputs only.

PBGA Thermal Characteristics

Item	Symbol	Rating	Units
Thermal Resistance Junction to Case	$R_{\theta JC}$	1	$^\circ\text{C/W}$

Capacitance ($T_A = 0$ to $+85^\circ\text{C}$, $V_{DD} = 3.3\text{V} -5\%, +10\%$, $f = 1\text{MHz}$)

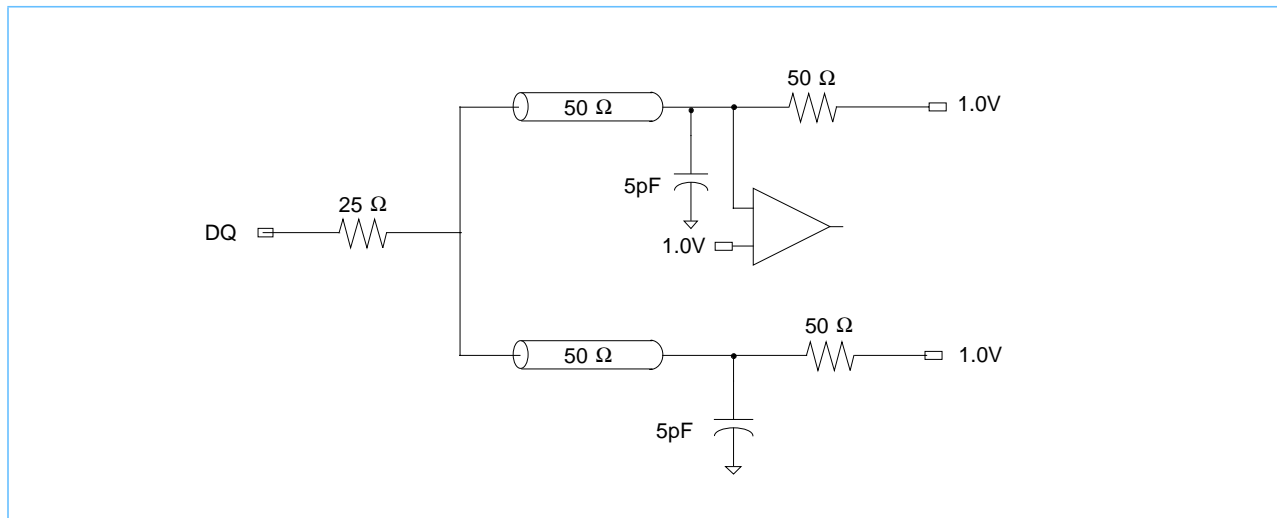
Parameter	Symbol	Test Condition	Max	Units
Input Capacitance	C_{IN}	$V_{IN} = 0\text{V}$	4	pF
Data I/O Capacitance (DQ0-DQ35)	C_{OUT}	$V_{OUT} = 0\text{V}$	4	pF
K Clock Capacitance	C_{KCLK}	$V_{OUT} = 0\text{V}$	3.5	pF

AC Test Conditions ($T_A=0$ to $+70^\circ\text{C}$, $V_{DD}=3.3\text{V} -5\%, +10\%$, $V_{DDQ}=2.0\text{V} -5\%, +5\%$)

Parameter	Symbol	Conditions	Units	Notes
Output Driver Supply Voltage	V_{DDQ}	2.0		
Input High Level for 2.0V I/O	$V_{IH(2.0V)}$	1.75	V	
Input Low Level for 2.0V I/O	$V_{IL(2.0V)}$	0.25	V	
Clock Input High Voltage.	V_{IH-CLK}	1.75	V	
Clock Input Low Voltage.	V_{IL-CLK}	0.25	V	
Input Rise Time	T_R	1.0	ns	
Input Fall Time	T_F	1.0	ns	
Input and Output Timing Reference Level		1.0	V	
Clock Reference Level		K and \bar{K} Cross Point	V	
Output Load Conditions				1

1. See the AC Test Loading figure below.

AC Test Loading



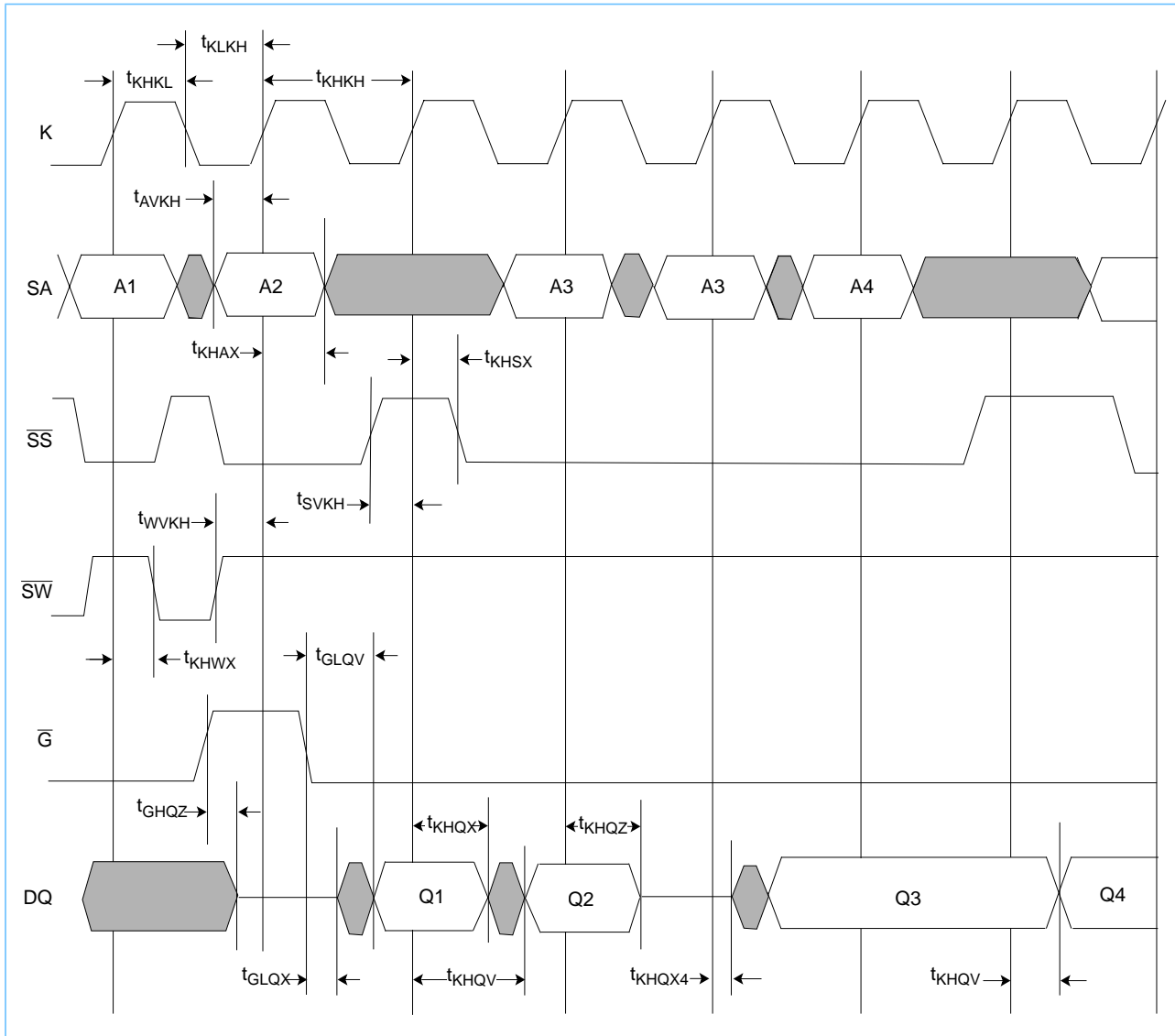


AC Characteristics ($T_A = 0$ to $+85^\circ\text{C}$, $V_{DD} = 3.3\text{V} -5\%, +10\%$, $V_{DDQ} = 2.0 \pm 5\%$)

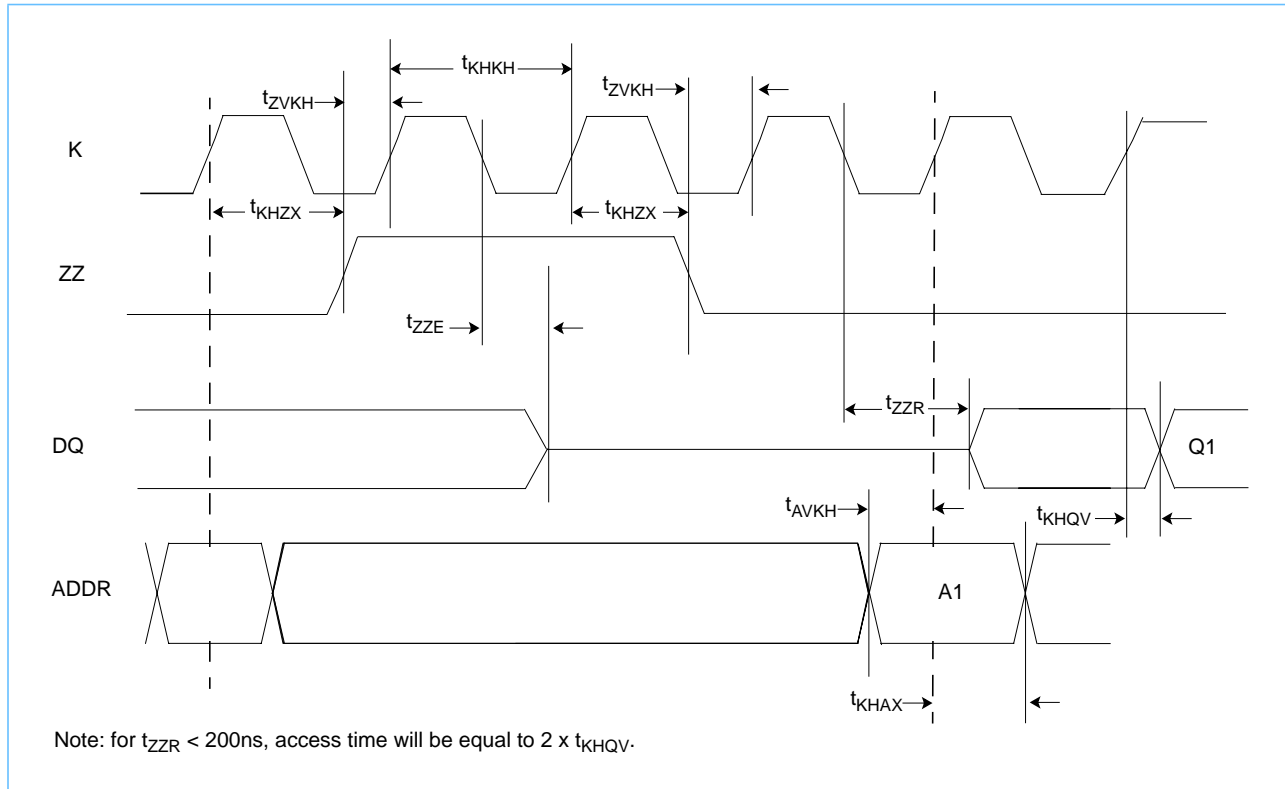
Parameter	Symbol	3		3F		3P		4		5		Units	Notes
		Min	Max	Min	Max	Min	Max	Min	Max	Min	Max		
Cycle Time	t_{KHKH}	3.0	—	3.3	—	3.7	—	4.0	—	5.0	—	ns	
Clock High Pulse Width	t_{KHKL}	1.2	—	1.5	—	1.5	—	1.5	—	1.5	—	ns	4
Clock Low Pulse Width	t_{KLKH}	1.2	—	1.5	—	1.5	—	1.5	—	1.5	—	ns	4
Clock to Output Valid	t_{KHQV}	—	1.8	—	2.0	—	2.0	—	2.25	—	2.5	ns	1
Address Setup Time	t_{AVKH}	0.5	—	0.5	—	0.5	—	0.5	—	0.5	—	ns	2,5
Address Hold Time	t_{KHAX}	1.0	—	1.0	—	1.0	—	1.0	—	1.0	—	ns	2,5
Sync Select Setup Time	t_{SVKH}	0.5	—	0.5	—	0.5	—	0.5	—	0.5	—	ns	2,5
Sync Select Hold Time	t_{KHSX}	1.0	—	1.0	—	1.0	—	1.0	—	1.0	—	ns	2,5
Write Enables Setup Time	t_{WVKH}	0.5	—	0.5	—	0.5	—	0.5	—	0.5	—	ns	2,5
Write Enables Hold Time	t_{KHWX}	1.0	—	1.0	—	1.0	—	1.0	—	1.0	—	ns	2,5
Data In Setup Time	t_{DVKH}	0.5	—	0.5	—	0.5	—	0.5	—	0.5	—	ns	2,5
Data In Hold Time	t_{KHDX}	1.0	—	1.0	—	1.0	—	1.0	—	1.0	—	ns	2,5
Data Out Hold Time	t_{KHQX}	0.7	—	0.7	—	0.7	—	0.7	—	0.7	—	ns	1, 3
Clock High to Output High-Z	t_{KHQZ}	—	2.25	—	2.5	—	2.5	—	2.5	—	2.5	ns	1,3
Clock High to Output Active	t_{KHQX4}	0.5	—	0.5	—	0.5	—	0.5	—	0.5	—	ns	1,3
Output Enable to High-Z	t_{GHQZ}	—	2.25	—	2.5	—	2.5	—	2.5	—	2.5	ns	1,3
Output Enable to Low-Z	t_{GLQX}	0.5	—	0.5	—	0.5	—	0.5	—	0.5	—	ns	1
Output Enable to Output Valid	t_{GLQV}	—	2.25	—	2.5	—	2.5	—	2.5	—	2.5	ns	1
Output Enable Setup Time	t_{GHKH}	0.5	—	0.5	—	0.5	—	0.5	—	0.5	—	ns	1, 2
Output Enable Hold Time	t_{KHGX}	1.5	—	1.5	—	1.5	—	1.5	—	1.5	—	ns	1, 2
Sleep Mode Setup Time	t_{ZVKH}	1.0	—	1.0	—	1.0	—	1.0	—	1.0	—	ns	
Sleep Mode Hold Time	t_{KHZX}	1.0	—	1.0	—	1.0	—	1.0	—	1.0	—	ns	
Sleep Mode Recovery Time	t_{ZZR}	200	—	200	—	200	—	200	—	200	—	ns	6
Sleep Mode Enable Time	t_{ZZE}	—	2X t_{KHKH}	—	2X t_{KHKH}	—	2X t_{KHKH}	—	2X t_{KHKH}	—	2X t_{KHKH}	ns	

1. See the AC Test Loading figure on page 10.
2. During normal operation, V_{IH} , V_{IL} , T_{RISE} , and T_{FALL} of inputs must be within 20% of V_{IH} , V_{IL} , T_{RISE} , and T_{FALL} of Clock.
3. Verified by design and tested without guardbands.
4. Minimum pulse is guaranteed by design for -3 speed sorts.
5. Specs for -3 speed sort are preliminary and will require validation. All Setup and Hold times are verified by characterization and guaranteed by design.
6. For $t_{ZZR} < 200\text{ns}$, access time will be equal to twice t_{KHQV}

Read and Deselect Cycles Timing Diagram



Synchronous Sleep Mode Timing Diagram





IEEE 1149.1 TAP and Boundary Scan

The SRAM provides a limited set of JTAG functions intended to test the interconnection between SRAM I/Os and printed circuit board traces or other components. There is no multiplexer in the path from I/O pins to the RAM core.

In conformance with IEEE Standard 1149.1, the SRAM contains a TAP controller, Instruction register, Boundary Scan register, Bypass register, and ID register.

The TAP controller has a standard 16-state machine that resets internally upon power-up; therefore, TRST signal is not required.

Signal List

- TCK: Test Clock
- TMS: Test Mode Select
- TDI: Test Data In
- TDO: Test Data Out

JTAG DC Operating Characteristics ($T_A = 0$ to $+85^\circ\text{C}$)

Operates with JEDEC Standard JESD8A (3.3V) logic signal levels

Parameter	Symbol	Min.	Typ.	Max.	Units	Notes
JTAG Input High Voltage	V_{IH1}	2.2	—	$V_{DD} + 0.3$	V	1
JTAG Input Low Voltage	V_{IL1}	-0.3	—	0.8	V	1
JTAG Output High Level	V_{OH1}	2.4	—	—	V	1, 2
JTAG Output Low Level	V_{OL1}	—	—	0.4	V	1, 3

1. All JTAG Inputs/Outputs are LVTTTL compatible only.
2. $I_{OH1} \geq -|8\text{mA}|$.
3. $I_{OL1} \geq +|8\text{mA}|$.

JTAG AC Test Conditions ($T_A = 0$ to $+85^\circ\text{C}$, $V_{DD} = 3.3\text{V} -5\%, +10\%$)

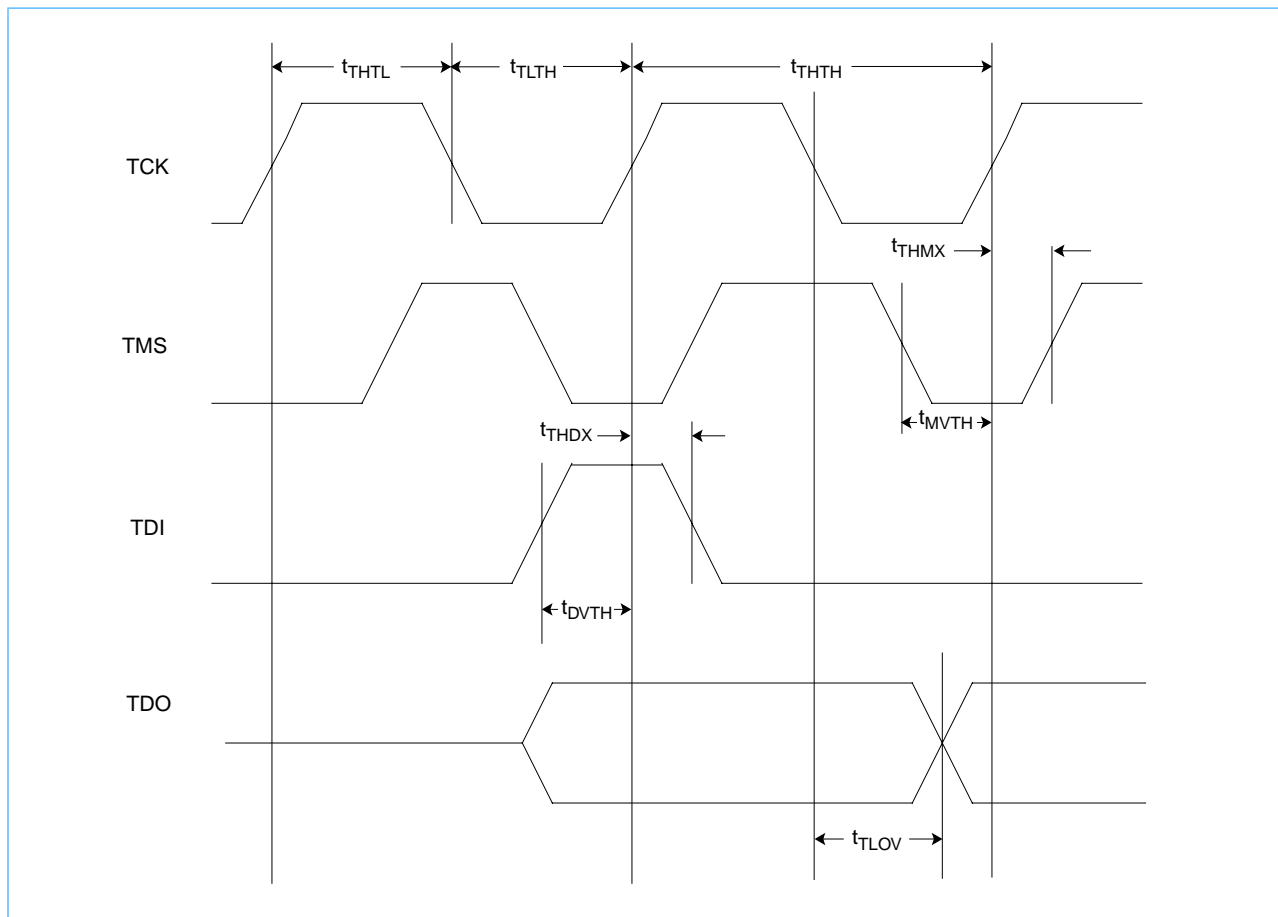
Parameter	Symbol	Conditions	Units
Input Pulse High Level	V_{IH1}	3.0	V
Input Pulse Low Level	V_{IL1}	0.0	V
Input Rise Time	T_{R1}	2.0	ns
Input Fall Time	T_{F1}	2.0	ns
Input and Output Timing Reference Level		1.5	V

JTAG AC Characteristics ($T_A = 0$ to $+85^\circ\text{C}$, $V_{DD} = 3.3\text{V} -5\%, +10\%$)

Parameter	Symbol	Min.	Max.	Units	Notes
TCK Cycle Time	t_{THTH}	20	—	ns	
TCK High Pulse Width	t_{THTL}	7	—	ns	
TCK Low Pulse Width	t_{TLTH}	7	—	ns	
TMS Setup	t_{MVTH}	4	—	ns	
TMS Hold	t_{THMX}	4	—	ns	
TDI Setup	t_{DVTH}	4	—	ns	
TDI Hold	t_{THDX}	4	—	ns	
TCK Low to Valid Data	t_{TLOV}	—	7	ns	1

1. See the AC Test Loading figure on page 10.

JTAG Timing Diagram





Scan Register Definition

Register Name	Bit Size x18	Bit Size x36
Instruction	3	3
Bypass	1	1
ID	32	32
Boundary Scan *	51	70

* The Boundary Scan chain consists of the following bits:

- 36 or 18 bits for Data Inputs, depending on x18 or x36 configuration
- 18 bits for SA0 - SA17 in x36, 19 bits for SA0 - SA18 in x18
- 4 bits for $\overline{SBW}a$ - $\overline{SBW}d$ in x36, 2 bits for $\overline{SBW}a$ and $\overline{SBW}b$ in x18
- 8 bits for K, \overline{K} , SS, \overline{G} , \overline{SW} , ZZ, M1 and M2
- 4 bits for Place Holders for 8Mb, 5 bits for Place Holders for 4Mb

* K and \overline{K} clocks connect to a differential receiver that generates a single-ended clock signal. This signal and its inverted value are used for Boundary Scan sampling.

ID Register Definition

Part	Field Bit Number and Description				
	Revision Number (31:28)	Device Density and Configuration (27:18)	Vendor Definition (17:12)	Manufacturer JEDEC Code (11:1)	Start Bit(0)
128K x 36	xxxx	011 010 1100	xxxxxx	000 101 001 00	1
256K x 18	xxxx	011 100 1011	xxxxxx	000 101 001 00	1
512K x 18	xxxx	101 111 0011	xxxxxx	000 101 001 00	1
256K x 36	xxxx	101 101 0100	xxxxxx	000 101 001 00	1

Instruction Set

Code	Instruction	Notes
000	SAMPLE-Z	1
001	IDCODE	
010	SAMPLE-Z	1
011	PRIVATE	5
100	SAMPLE	4
101	PRIVATE	5
110	PRIVATE	5
111	BYPASS	2, 3

1. Places DQs in High-Z in order to sample all input data regardless of other SRAM inputs.
2. TDI is sampled as an input to the first ID register to allow for the serial shift of the external TDI data.
3. BYPASS register is initiated to V_{SS} when BYPASS instruction is invoked. The BYPASS register also holds the last serially loaded TDI when exiting the Shift DR state.
4. SAMPLE instruction does not place DQs in High-Z.
5. This instruction is reserved for the exclusive use of IBM. Invoking this instruction will cause improper SRAM functionality.

List of IEEE 1149.1 Standard Violations

- 7.2.1.b, e
- 7.7.1.a-f
- 10.1.1.b, e
- 10.7.1.a-d
- 6.1.1.d



Boundary Scan Order (128K x 36), (256K x 36) (PH = Place Holder)

Exit Order	Signal	Bump #	Exit Order	Signal	Bump #	Exit Order	Signal	Bump #
1	M2	5R	25	DQ12	6F	49	DQ26	2H
2	SA	4P	26	DQ13	7E	50	DQ25	1H
3	SA	4T	27	DQ11	6E	51	\overline{SBWc}	3G
4	SA	6R	28	DQ10	7D	52	PH ¹	4D
5	SA	5T	29	DQ9	6D	53	\overline{SS}	4E
6	ZZ	7T	30	SA	6A	54	PH ¹	4G
7	DQ0	6P	31	SA	6C	55	PH ²	4H
8	DQ1	7P	32	SA	5C	56	\overline{SW}	4M
9	DQ2	6N	33	SA	5A	57	\overline{SBWd}	3L
10	DQ4	7N	34	PH ¹ (4Mb), SA(8Mb)	6B	58	DQ34	1K
11	DQ3	6M	35	SA	5B	59	DQ35	2K
12	DQ5	6L	36	SA	3B	60	DQ33	1L
13	DQ6	7L	37	PH ¹	2B	61	DQ32	2L
14	DQ8	6K	38	SA	3A	62	DQ30	2M
15	DQ7	7K	39	SA	3C	63	DQ29	1N
16	\overline{SBWa}	5L	40	SA	2C	64	DQ31	2N
17	\overline{K}	4L	41	SA	2A	65	DQ28	1P
18	K	4K	42	DQ18	2D	66	DQ27	2P
19	\overline{G}	4F	43	DQ19	1D	67	SA	3T
20	\overline{SBWb}	5G	44	DQ20	2E	68	SA	2R
21	DQ16	7H	45	DQ22	1E	69	SA	4N
22	DQ17	6H	46	DQ21	2F	70	M1	3R
23	DQ15	7G	47	DQ23	2G			
24	DQ14	6G	48	DQ24	1G			

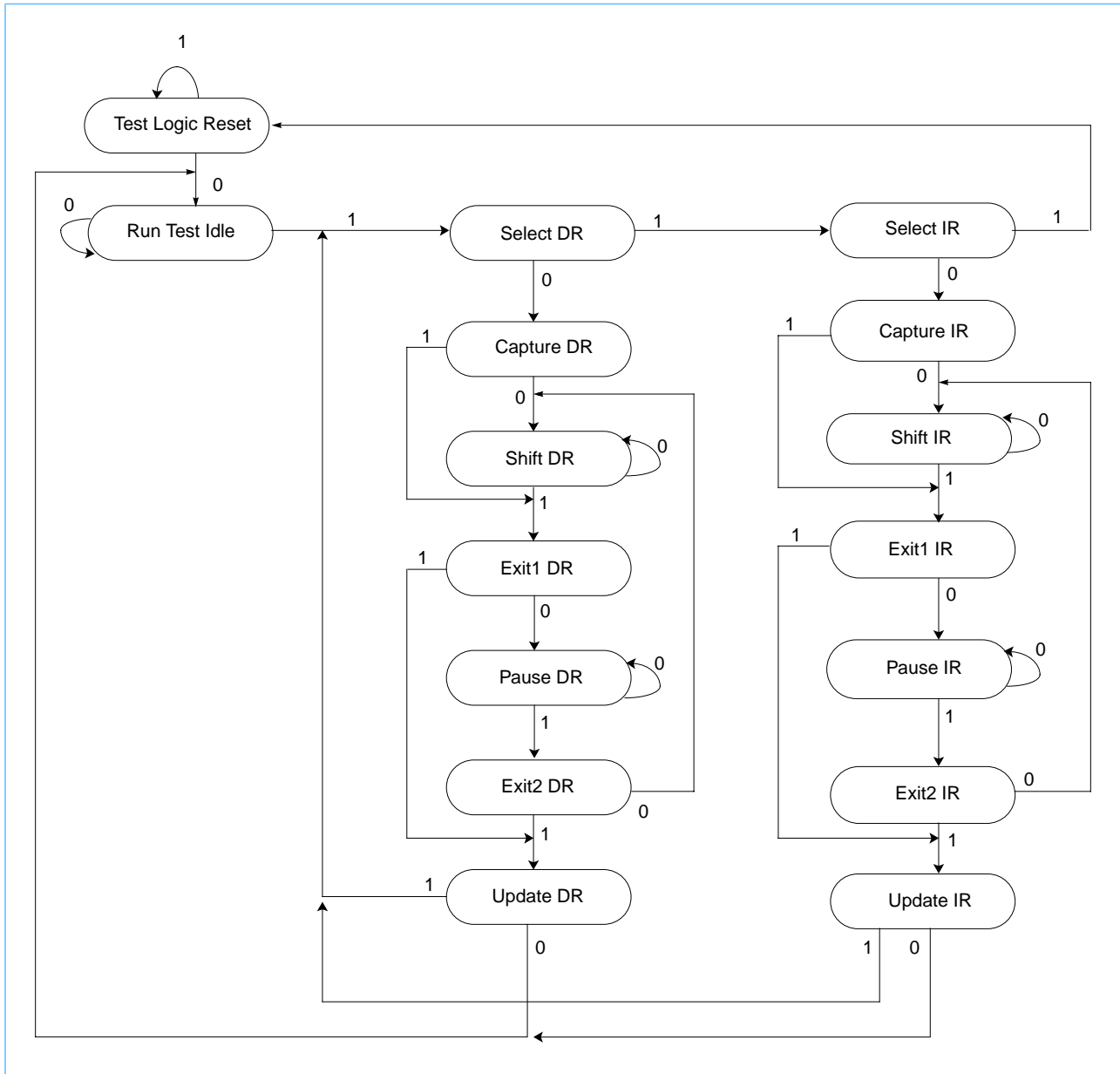
1. Input of PH register connected to V_{SS}.
2. Input of PH register connected to V_{DD}.

Boundary Scan Order (256K x 18), (512K x 18) (PH = Place Holder)

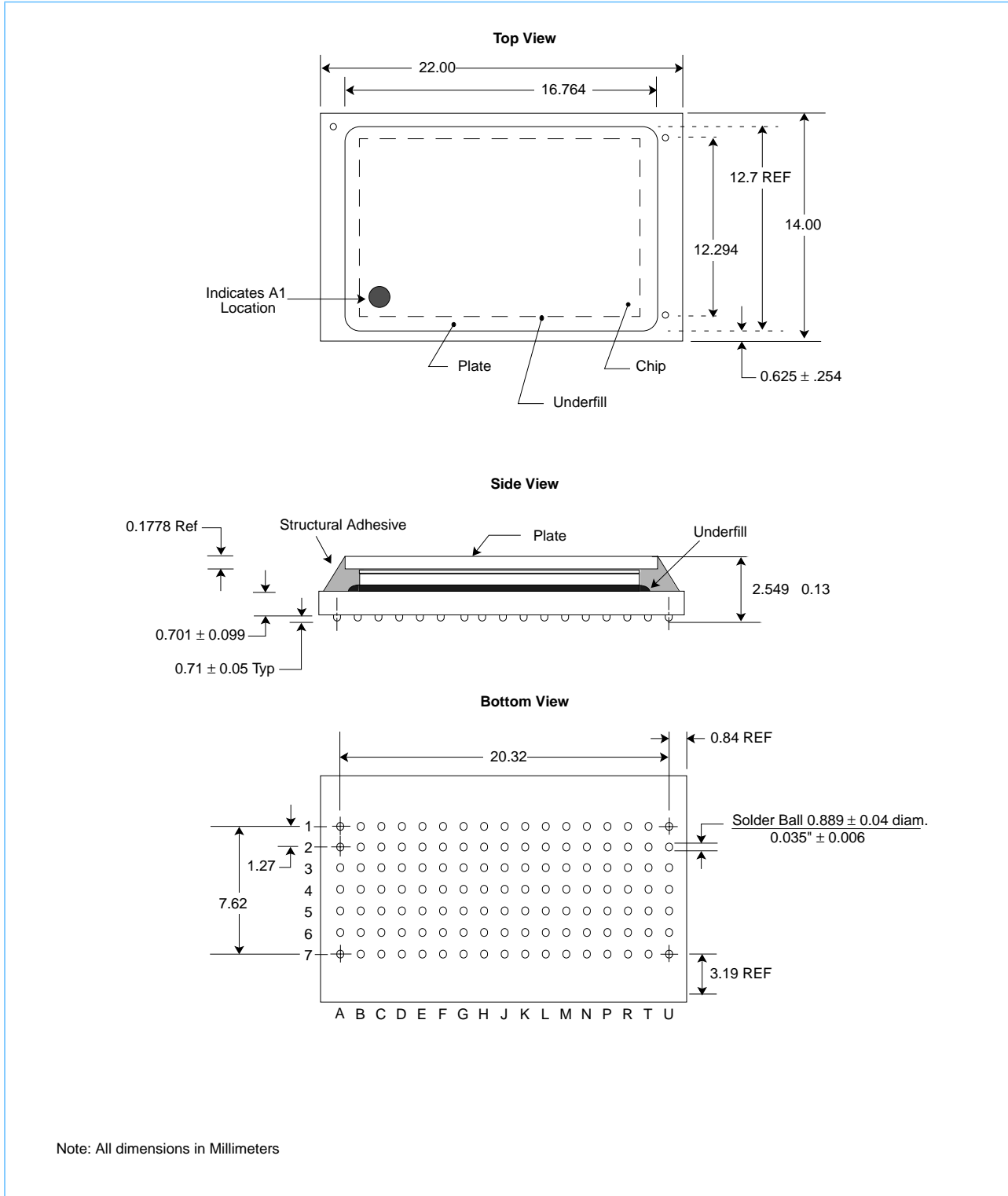
Exit Order	Signal	Bump #	Exit Order	Signal	Bump #
1	M2	5R	27	PH ¹	2B
2	SA	6T	28	SA	3A
3	SA	4P	29	SA	3C
4	SA	6R	30	SA	2C
5	SA	5T	31	SA	2A
6	ZZ	7T	32	DQ14	1D
7	DQ5	7P	33	DQ15	2E
8	DQ6	6N	34	DQ16	2G
9	DQ7	6L	35	DQ17	1H
10	DQ8	7K	36	$\overline{\text{SBWb}}$	3G
11	$\overline{\text{SBWa}}$	5L	37	PH ¹	4D
12	$\overline{\text{K}}$	4L	38	$\overline{\text{SS}}$	4E
13	K	4K	39	PH ¹	4G
14	$\overline{\text{G}}$	4F	40	PH ²	4H
15	DQ4	6H	41	$\overline{\text{SW}}$	4M
16	DQ3	7G	42	DQ13	2K
17	DQ2	6F	43	DQ12	1L
18	DQ1	7E	44	DQ10	2M
19	DQ0	6D	45	DQ11	1N
20	SA	6A	46	DQ9	2P
21	SA	6C	47	SA	3T
22	SA	5C	48	SA	2R
23	SA	5A	49	SA	4N
24	PH ¹ (4Mb), SA(8Mb)	6B	50	SA	2T
25	SA	5B	51	M1	3R
26	SA	3B			

1. Input of PH register connected to V_{SS} .
2. Input of PH register connected to V_{DD} .

TAP Controller State Machine



7 x17 BGA Dimensions





References

The following documents give recommendations, restrictions, and limitations for second level attach process:

[Double Sided 4Mb SRAM Coupled Cap PBGA Card Assembly Guide](#)

Qualification information, including the scope of application conditions qualified, is available from your marketing representative.

Note: This document contains information on products in the sampling and/or initial production phases of development. This information is subject to change without notice. Verify with your IBM field applications engineer that you have the latest version of this document before finalizing a design.



Revision Log

Revision	Contents of Modification
05/18/2000	Initial release for RR 1.8 V I/O.
05/19/2000	Reformatted tables on pages 4 and 11 Updated table values.
07/10/2000	Adjusted layout and alignment of first page and left page headers Corrected minor typos
12/19/2000	Rev. 01. Made various minor editorial changes and format refinements.



© Copyright International Business Machines Corporation 2000

All Rights Reserved
Printed in the United States of America December 2000

The following are trademarks of International Business Machines Corporation in the United States, or other countries, or both.

IBM IBM Logo

Other company, product and service names may be trademarks or service marks of others.

All information contained in this document is subject to change without notice. The products described in this document are NOT intended for use in implantation or other life support applications where malfunction may result in injury or death to persons. The information contained in this document does not affect or change IBM product specifications or warranties. Nothing in this document shall operate as an express or implied license or indemnity under the intellectual property rights of IBM or third parties. All information contained in this document was obtained in specific environments, and is presented as an illustration. The results obtained in other operating environments may vary.

While the information contained herein is believed to be accurate, such information is preliminary, and should not be relied upon for accuracy or completeness, and no representations or warranties of accuracy or completeness are made.

THE INFORMATION CONTAINED IN THIS DOCUMENT IS PROVIDED ON AN "AS IS" BASIS. In no event will IBM be liable for damages arising directly or indirectly from any use of the information contained in this document.

IBM Microelectronics Division
1580 Route 52, Bldg. 504
Hopewell Junction, NY 12533-6351

The IBM home page can be found at
<http://www.ibm.com>

The IBM Microelectronics Division home page
can be found at <http://www.chips.ibm.com>

crrL3318.01
12/00