



ADSL/ADSL2/ADSL2plus CO

CX95516/CX95524

Conexant's portfolio includes a comprehensive suite of semiconductor solutions for broadband communications and the digital home.

Conexant's CX95516/CX95524 chipset is the most advanced ADSL/ADSL2/ADSL2plus CO transceiver solution, meeting the new operator requirements for better triple play services, while lowering overall system cost for OEMs. It offers next generation triple play features, such as enhanced Impulse Noise Protection (INP) and dual interleaving for simultaneous video, voice, and data services with appropriate protection for each service. In addition to these advanced features, the CX95516/CX95524 chipsets enable lower system cost with the highest level of system integration and superior performance, making it industry's most competitive solution. The design capitalizes on Conexant's many years of successful real world DSL field experience, comprehensive understanding of standards-based xDSL technology, and OEM/Operator feedback.

Advanced features of CX95516/CX95524 enable better service levels for triple play services, including Internet Protocol-based Television (IPTV), high-speed Internet access, Video On Demand (VOD), High Definition Television (HDTV), Voice over IP (VoIP), video conferencing, remote office connectivity, and telecommuting.

Coupled with Conexant's Columbia family of IP Digital Subscriber Line Access Multiplexer (DSLAM) line card network processors, CX95516/CX95524 enables the most feature rich IPTV line card solution for next generation exchange (CO), remote unit (DLC/ONU), or multiple dwelling/tenant unit (MxU) applications.



Distinguishing Features

- Highest density ADSL2Plus solution
- Extended interleaving memory for maximum INP to support the new amendments to ADSL2+ standard
- Dual interleaving for triple play features
- Enhanced Dynamic Rate Repartitioning (DRR)
- Mask on Demand (MoD) support for superior rate/reach performance
- Dynamic Spectrum Management (DSM) support for better cross-talk performance
- IP DSLAM ready, with built-in AAL5 bridging support and packet interfaces
- On-chip segmentation and reassembly for ATM cell and IP packet convergence
- Packet over DSL (PTM) Mode support
- On-chip bonding for both packet and cell based applications

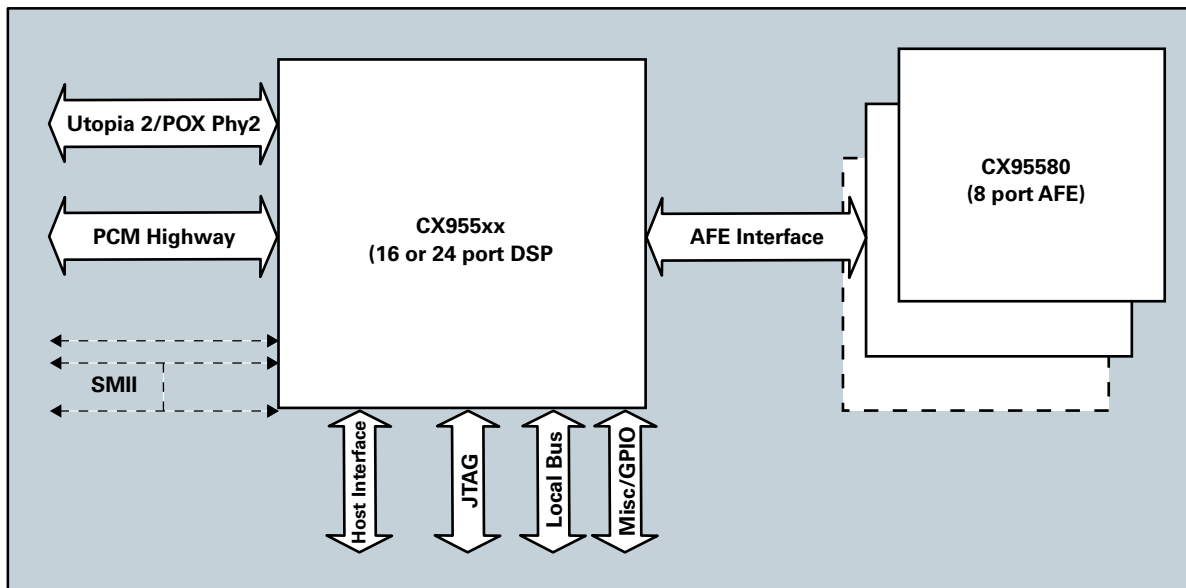
Part Number CX95516/CX95524

Description ADSL/ADSL2/ADSL2plus CO



The CX95516 and CX95524 chipsets support 16 and 24 channels of ADSL2/ADSL2+/ADSL2plus, respectively. The CX99516 chipset includes a 16-port DSP and two Analog Front-End (AFE) chips. The DSP is packaged in a 472-pin Plastic Ball Grid Array (PBGA), and the AFE is packaged in

a 144-pin Low-profile, Fine Pitch Ball Grid Array (LFBGA). The CX95524 chipset includes a DSP in a 24-port configuration and three AFEs. The 24-port Digital Signal Processor (DSP) is packaged in a 668-pin PBGA



CX95516 Block Diagram

Applications

- CO DSLAM
- Remote access servers, including Digital Loop Carriers (DLC) and MxU business and residential data access services, including high-speed Internet access
- Triple play applications with video, voice, and data
- Ethernet over First Mile (EFM) applications

Conexant Product Portfolio

The company's broad portfolio of semiconductor products also includes client-side DSL and cable modem solutions, home network processors, broadcast video encoders and decoders, digital set-top box components and systems solutions, and dial-up modems. In addition to its IEEE 802.11a/b/g-compliant WLAN chipsets, software, and reference designs, Conexant offers a suite of networking components that includes solutions for applications based on HomePlug® and HomePNA™. Additional products include a complete line of asymmetric and symmetric DSL central office solutions, which are used by service providers worldwide to deliver broadband data, voice, and video over copper telephone lines.

© 2006, Conexant Systems, Inc. All Rights Reserved. Conexant and the Conexant logo are registered trademarks of Conexant Systems, Inc. All other trademarks are owned by their respective owners. Although Conexant strives for accuracy in all its publications, this material may contain errors or omissions and is subject to change without notice. **THIS MATERIAL IS PROVIDED AS IS AND WITHOUT ANY EXPRESS OR IMPLIED WARRANTIES, INCLUDING MERCHANTABILITY, FITNESS FOR A PARTICULAR PURPOSE AND NON-INFRINGEMENT.** Conexant shall not be liable for any special, indirect, incidental or consequential damages as a result of its use.

www.conexant.com
General Information:
 U.S. and Canada: (888) 855-4562
 International: (732) 345-7500
 Headquarters
 4000 MacArthur Blvd.
 Newport Beach, CA 92660
 Order# PBR-201059-001

