



COMMON MODE CHOKES

ACM0409CI

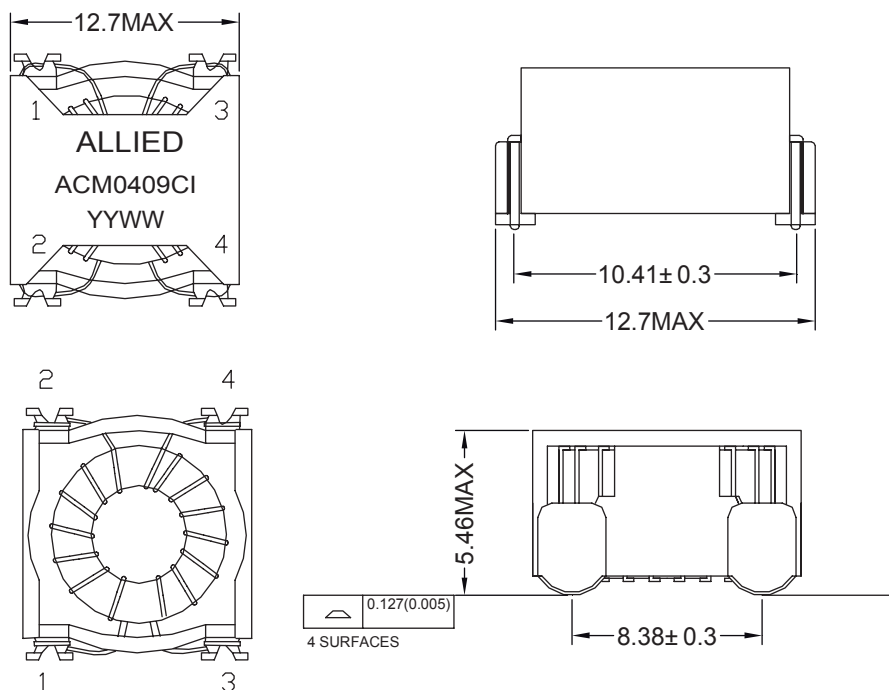
- Common mode choke for power application
- High Impedance to minimize common mode noise
- Excellent EMI performance
- Industrial temperature range: -40°C to +130°C



Electrical Specifications @25°C						
Part Number	OCL @10KHz/0.02V		Turns Ratio @10KHz/0.1V	DCR		HI-POT (Vrms)
	1-2	3-4		1-2	3-4	
ACM0409CI	880uH±20%	880uH±20%	1:1±2%	110mΩ MAX	110mΩ MAX	AC 1000V/1mA/2S

All specifications subject to change without notice.

MECHANICAL



Units: mm

SCHEMATICS

