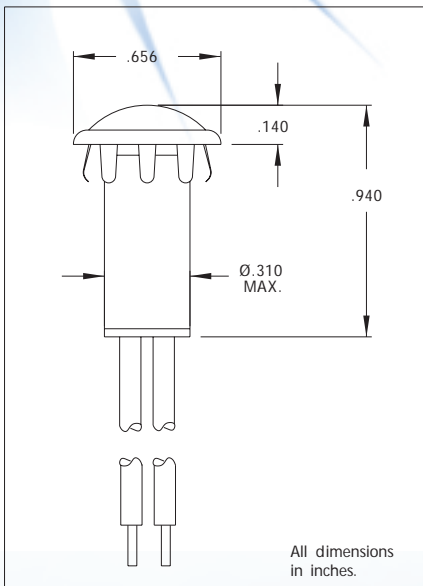


WORLDWIDE



**2990P Series Non-Relampable Incandescent Indicator Lights**

**DESCRIPTION AND FEATURES**



Mounting: Ø.500 MIN.

Wire Leads: No.24 AWG 4.40/4.80 long, stripped .430/.570

Lens: Polycarbonate

Bezel: Mirror finish chrome plated steel

Lens Color	Incandescent	
	Model No. (12V)	Model No. (28V)
Red	2990P 1-12V	2990P 1-28V
Amber	2990P 3-12V	2990P 3-28V
White	2990P 4-12V	2990P 4-28V
Green	2990P 5-12V	2990P 5-28V
Blue	2990P 6-12V	2990P 6-28V
Lamp used	#2162	#2187
Lead color	Yellow	Purple
Mounting	P lug-button bezel	

Underwriters Laboratories (UL) File No. E20325  
 Canadian Standards Association (CSA) File No. LR13346



America:  
 CML Innovative Technologies, Inc.  
 147 Central Avenue  
 Hackensack, NJ 07601 -USA  
 Tel: 1-201-489-8989  
 Fax: 1-201-489-6911  
 e-mail: americas@cml-it.com

Europe:  
 CML Technologies GmbH & Co. KG  
 Robert-Bunsen-Str. 1  
 67098 Bad Dürkheim - GERMANY  
 Tel: +49 (0)6322 9567-0  
 Fax: +49 (0)6322 9567-88  
 e-mail: europe@cml-it.com

Asia:  
 CML Innovative Technologies, Inc.  
 61 Aida Street  
 Singapore 459975  
 Tel: (65)9630-5003  
 e-mail: asia@cml-it.com