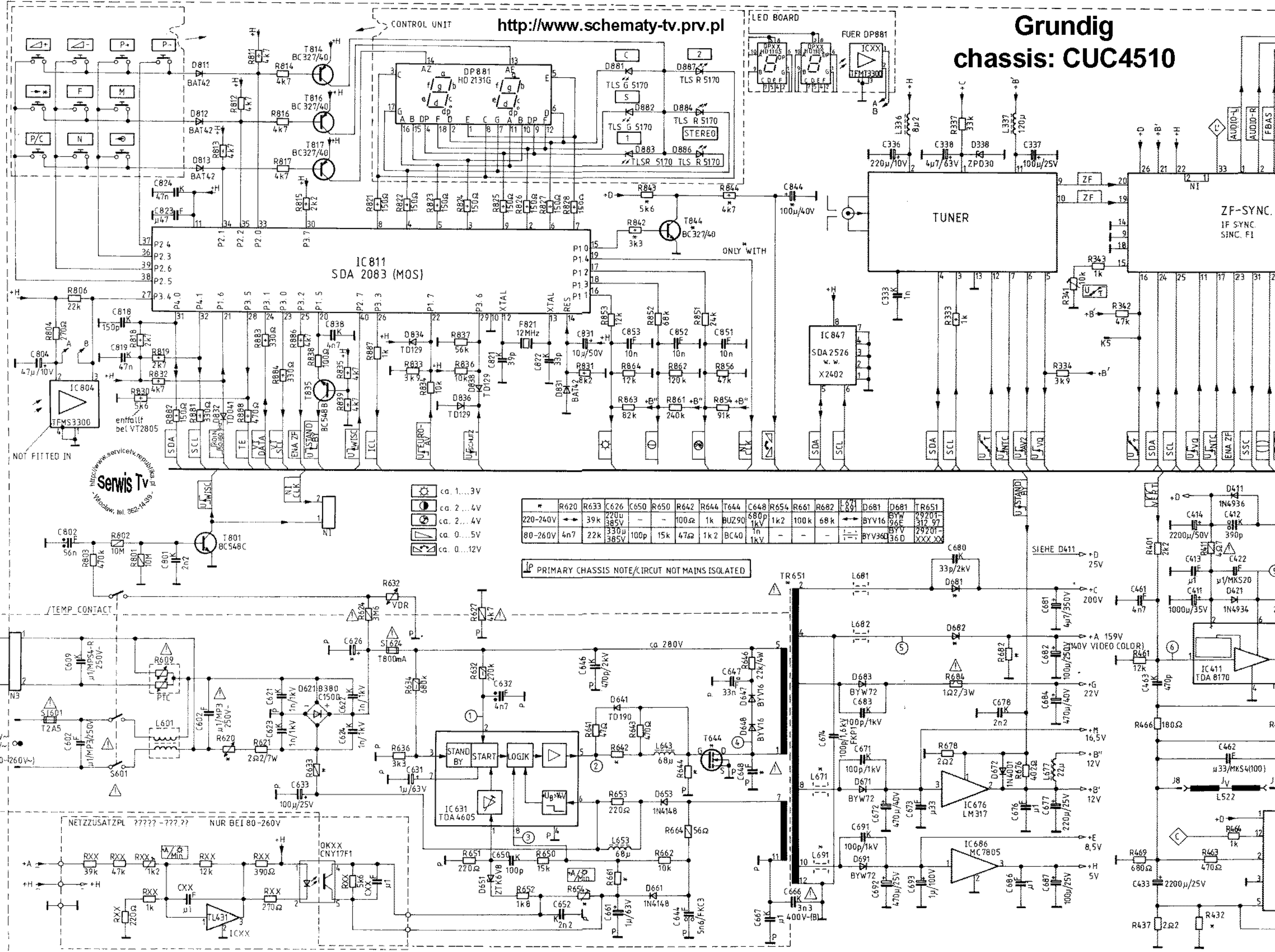


Grundig chassis: CUC4510

<http://www.schematy-tv.prv.pl>



serwis Tv
www.servistv.republika.pl
Wrocław, tel. 962-14-99

*	R620	R633	C626	C650	R650	R642	R644	T644	C648	R654	R661	R682	D681	D681	TR651
	220-240V	←	39k	220µ	385V	-	100Ω	1k	BUZ90	880p	1k	1k	BYV16	BYV16	29201-
	80-260V	4n7	22k	330µ	385V	100p	15k	47Ω	1k	1kV	-	-	BYV360	360	312 97
															XXX XX

PRIMARY CHASSIS NOTE/CIRCUIT NOT MAINS ISOLATED

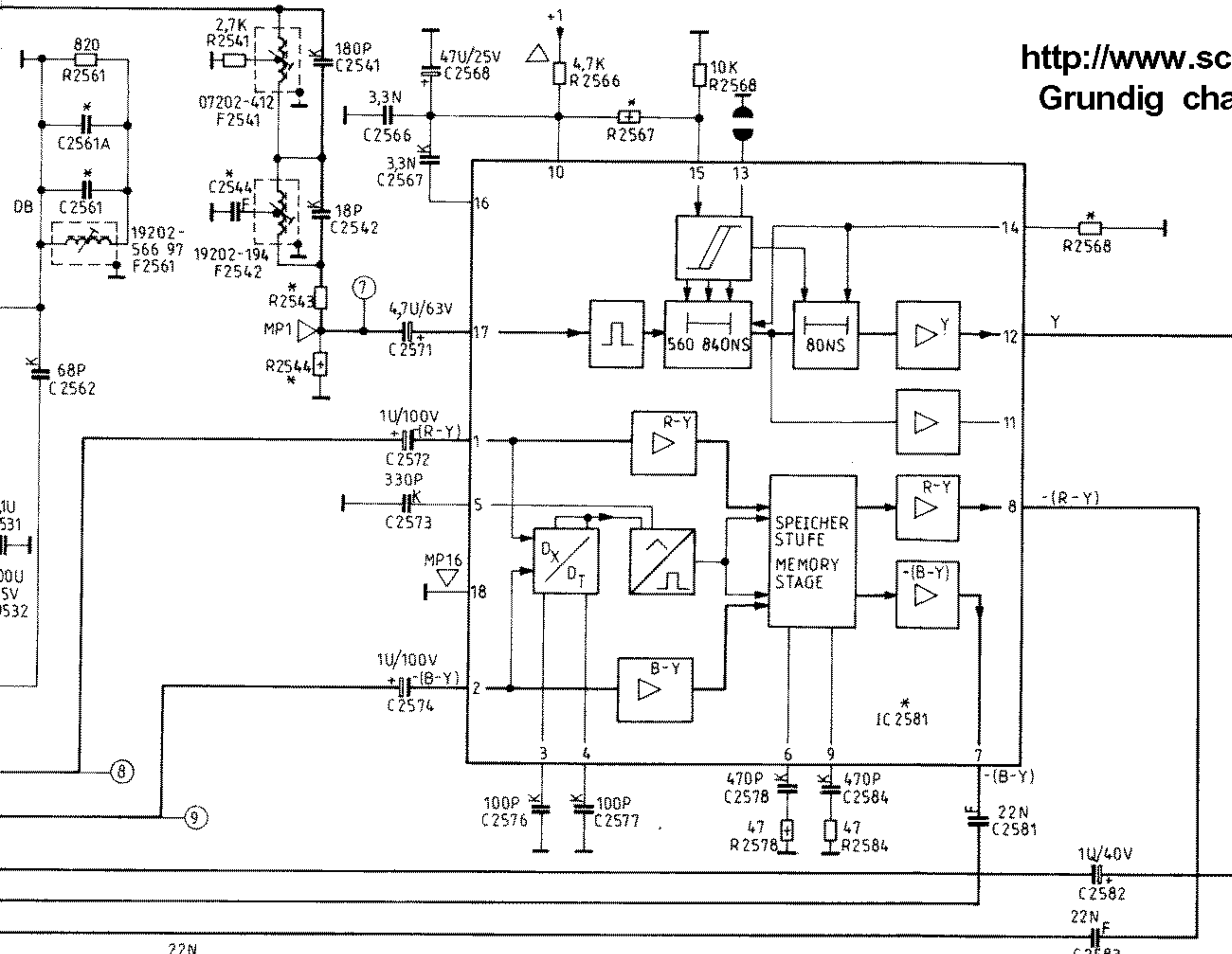
- ca. 1...3V
- ca. 2...4V
- ca. 2...4V
- ca. 0...5V
- ca. 0...12V

DEGAUSSING
DEMAGNETISATION/MAGNET
TILZZ

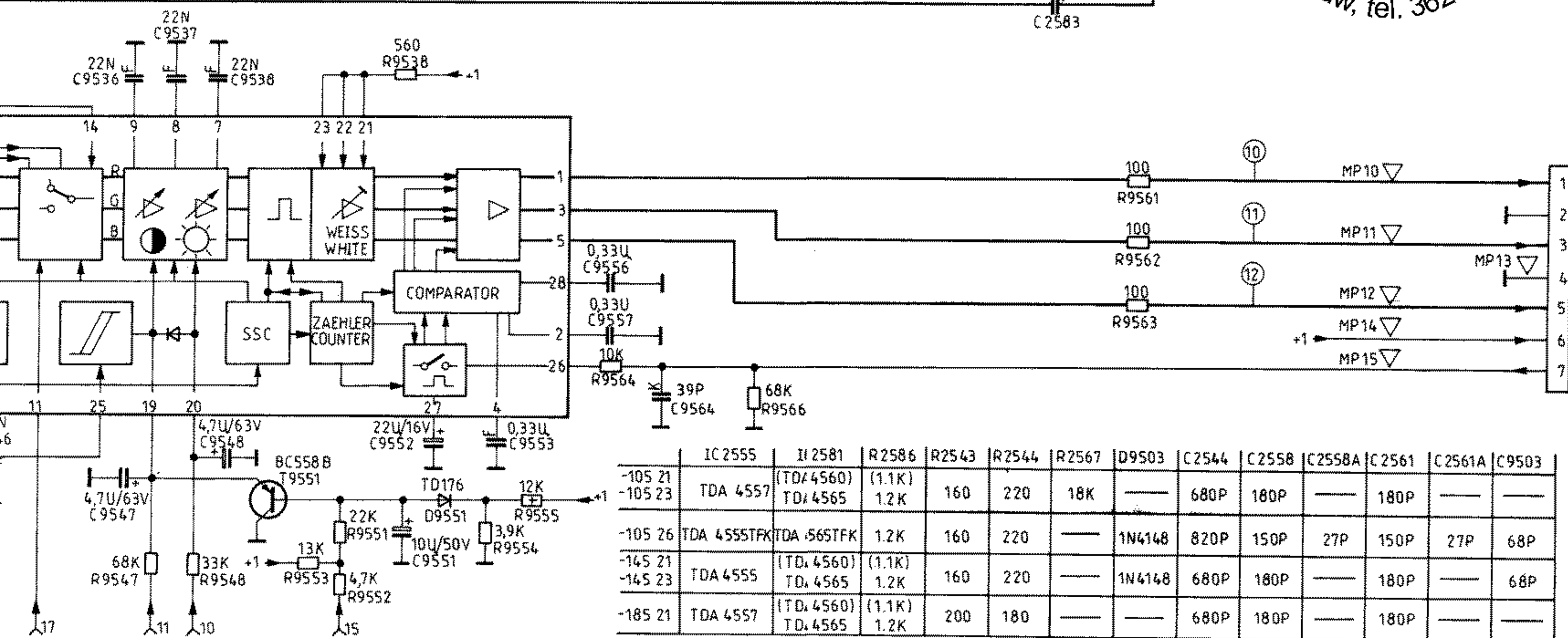
NETZZUSATZPL ????? - ????

NUR BEI 80-260V

<http://www.schematy-tv.prv.pl>
 Grundig chassis: CUC4510

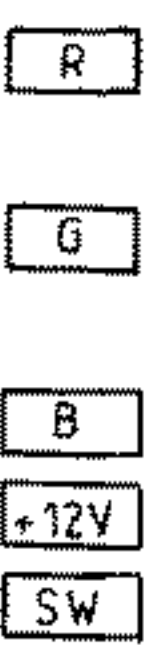


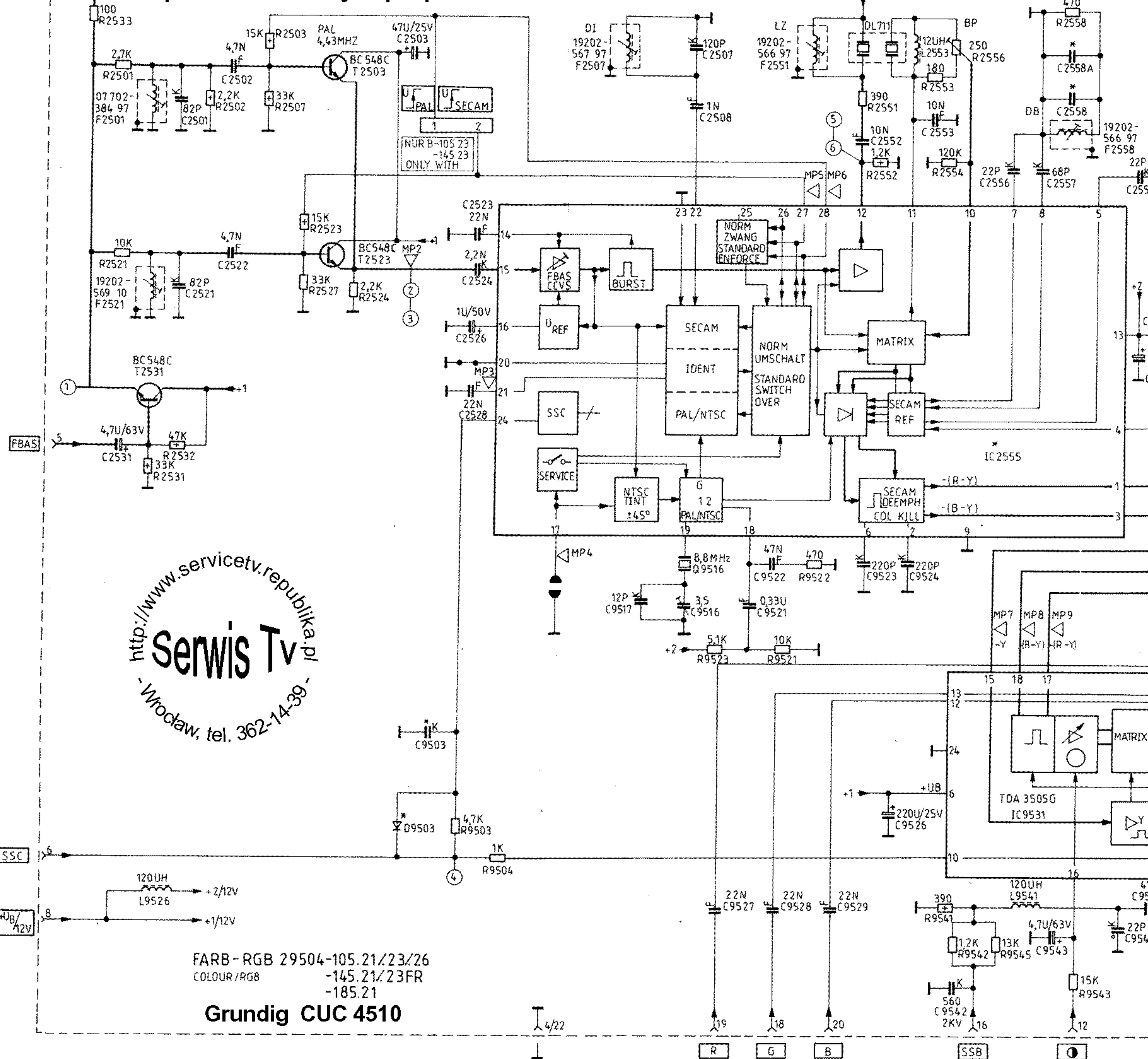
<http://www.servicetv.republika.pl>
Serwis Tv
 - Wroclaw, tel. 362-14-39 -



	IC 2555	IC 2581	R2586	R2543	R2544	R2567	D9503	C2544	C2558	C2558A	C2561	C2561A	C9503
-105 21	TDA 4557	(TD. 4560)	(1.1K)	160	220	18K	—	680P	180P	—	180P	—	—
-105 23	TDA 4557	TD. 4565	1.2K	160	220	—	—	680P	180P	—	180P	—	—
-105 26	TDA 4555TFK	TDA 4565TFK	1.2K	160	220	—	1N4148	820P	150P	27P	150P	27P	68P
-145 21	TDA 4555	(TD. 4560)	(1.1K)	160	220	—	—	680P	180P	—	180P	—	—
-145 23	TDA 4555	TD. 4565	1.2K	160	220	—	1N4148	680P	180P	—	180P	—	68P
-185 21	TDA 4557	(TD. 4560)	(1.1K)	200	180	—	—	680P	180P	—	180P	—	—

BILDROHRPLATTE
 CRT BASE





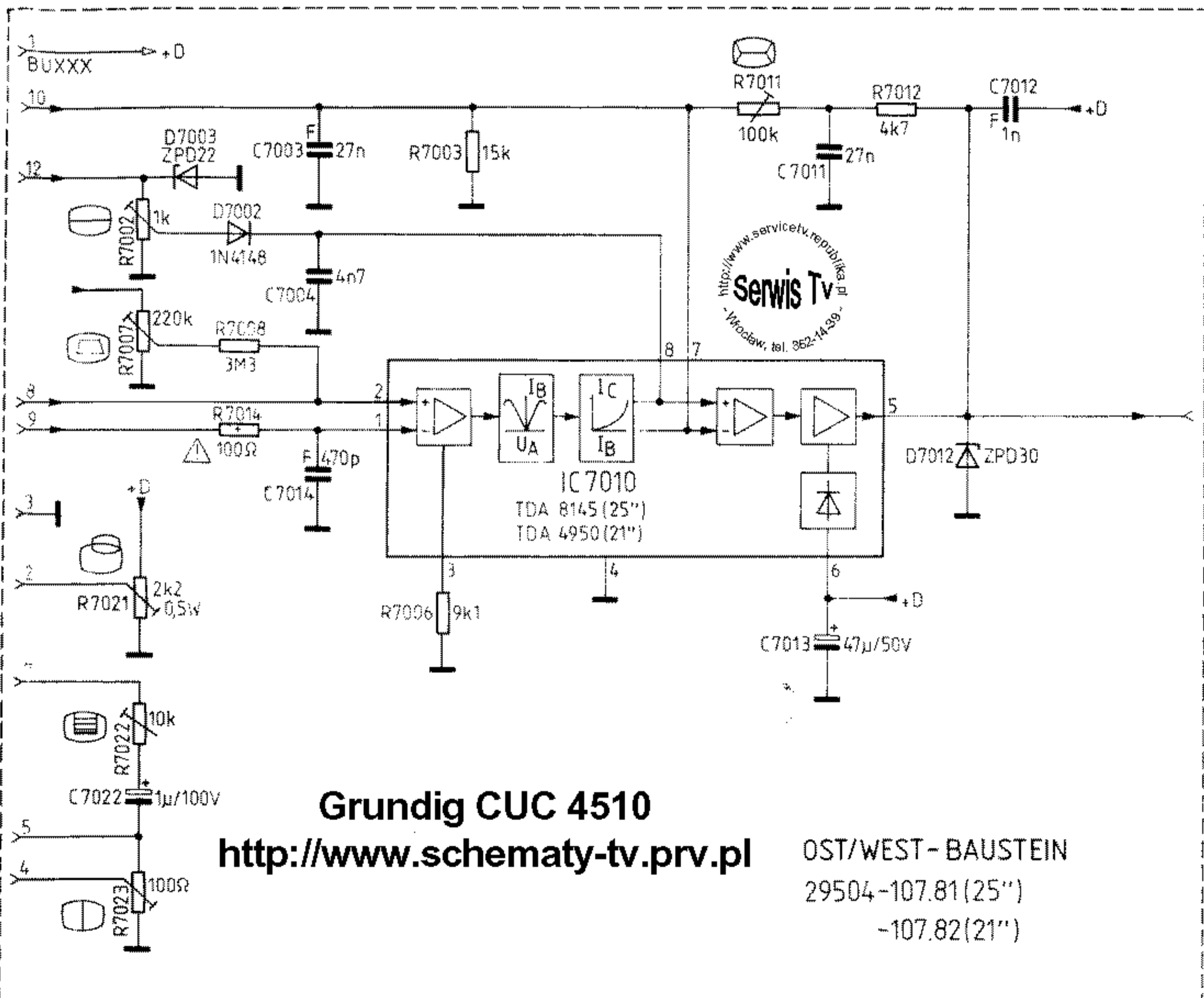
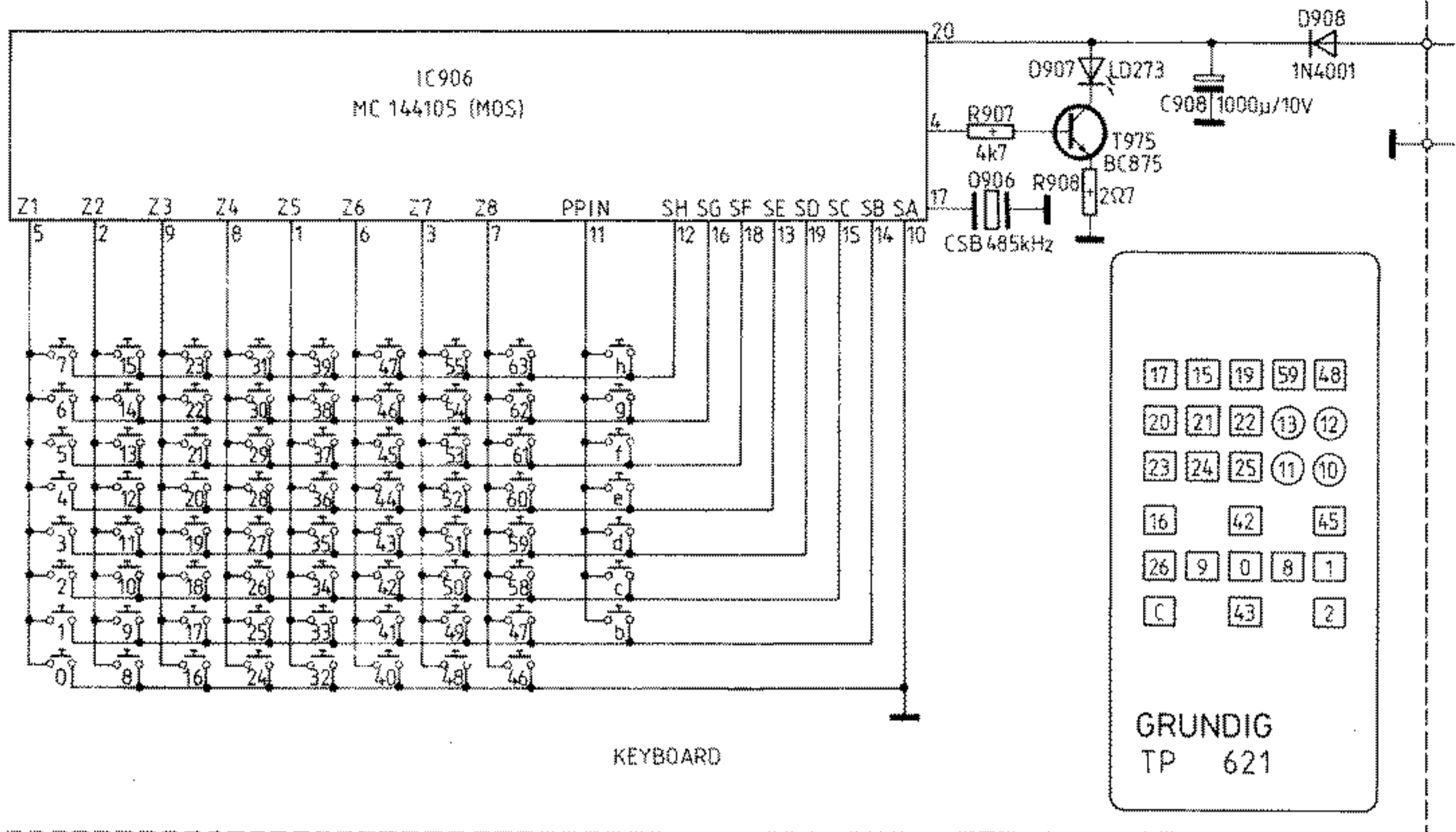
http://www.servicetv.republika.pl
Serwis Tv
 - Wrocław, tel. 362-14-39 -

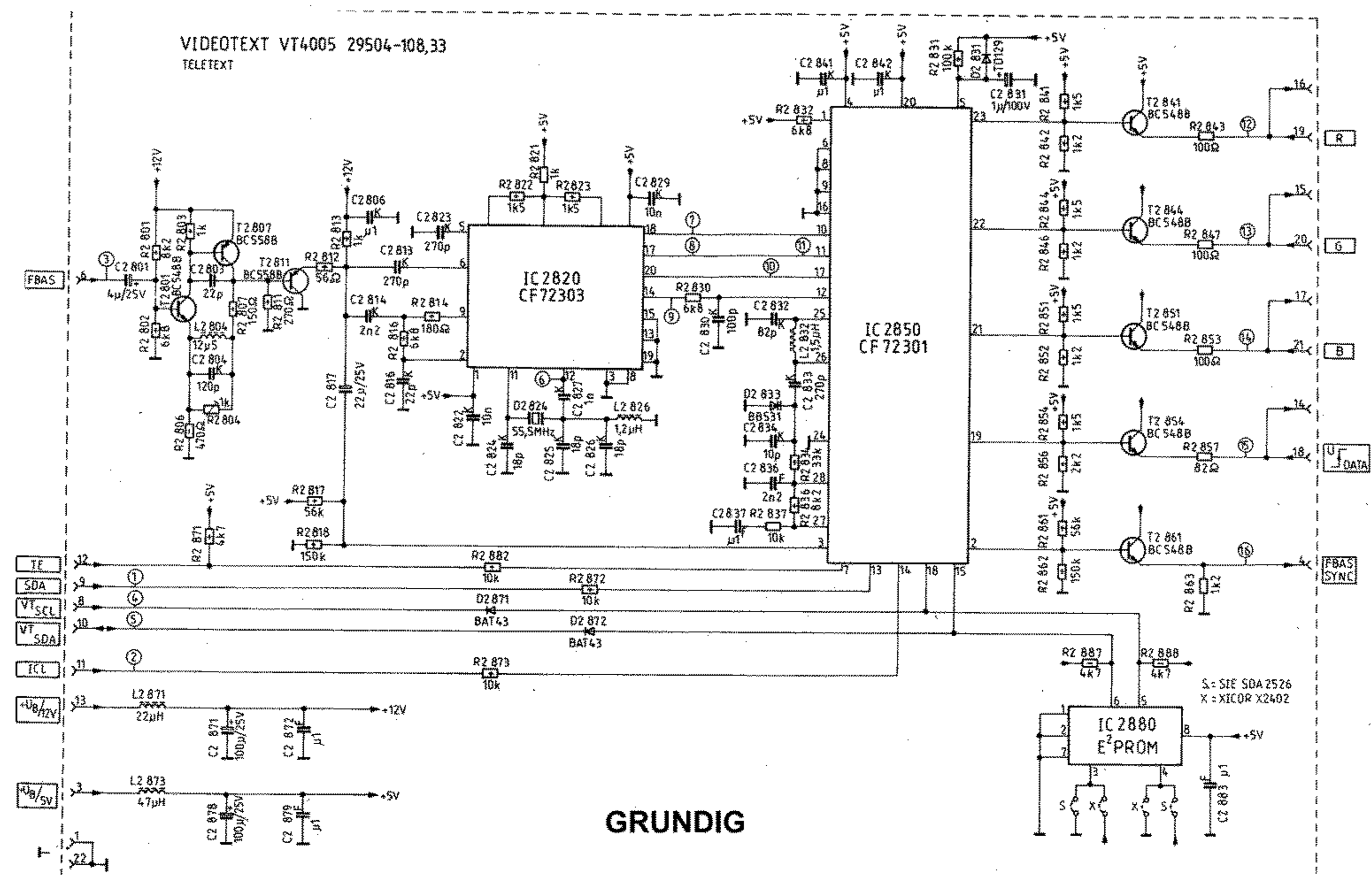
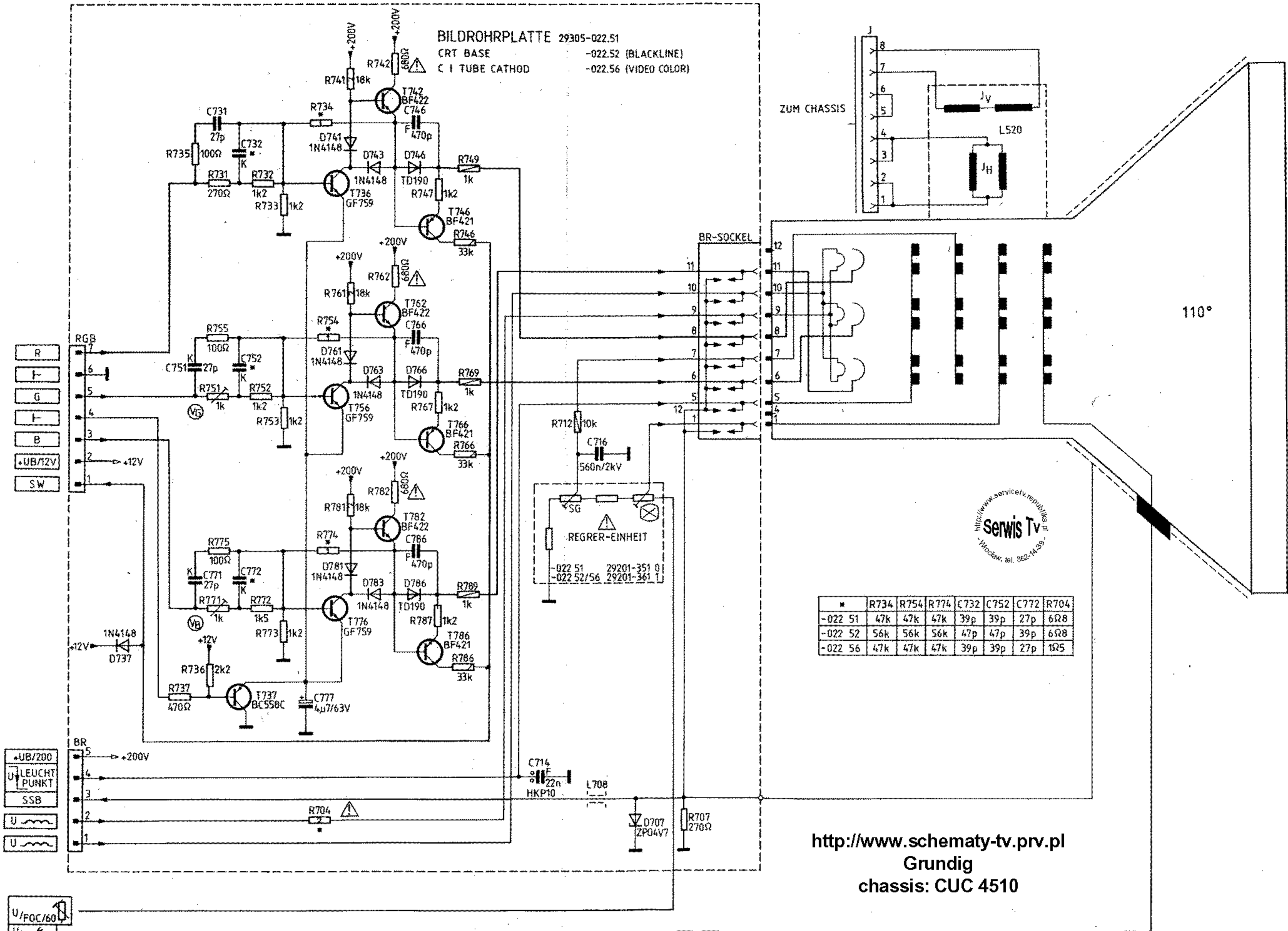
FARB- RGB 29504-105.21/23/26
 COLOUR/RGB -145.21/23FR
 -185.21

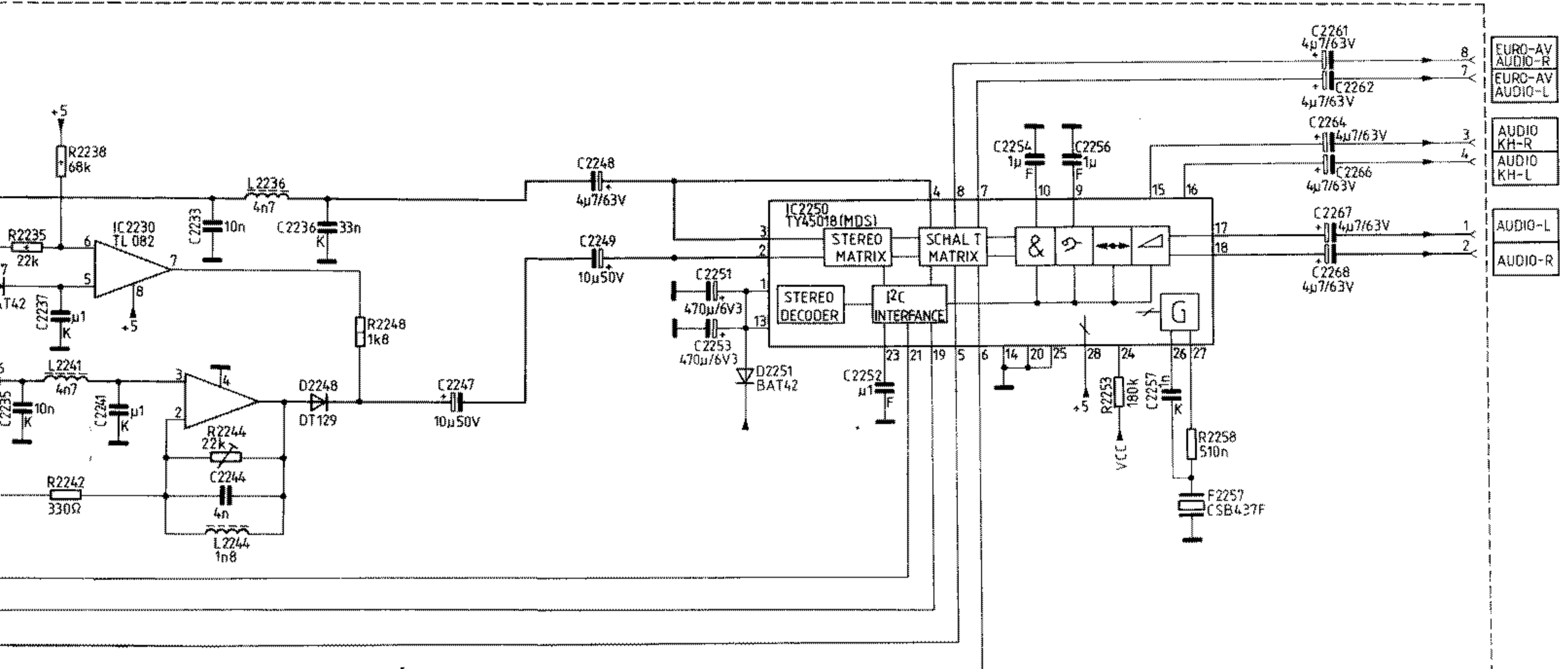
Grundig CUC 4510

4/22

R G B SSB

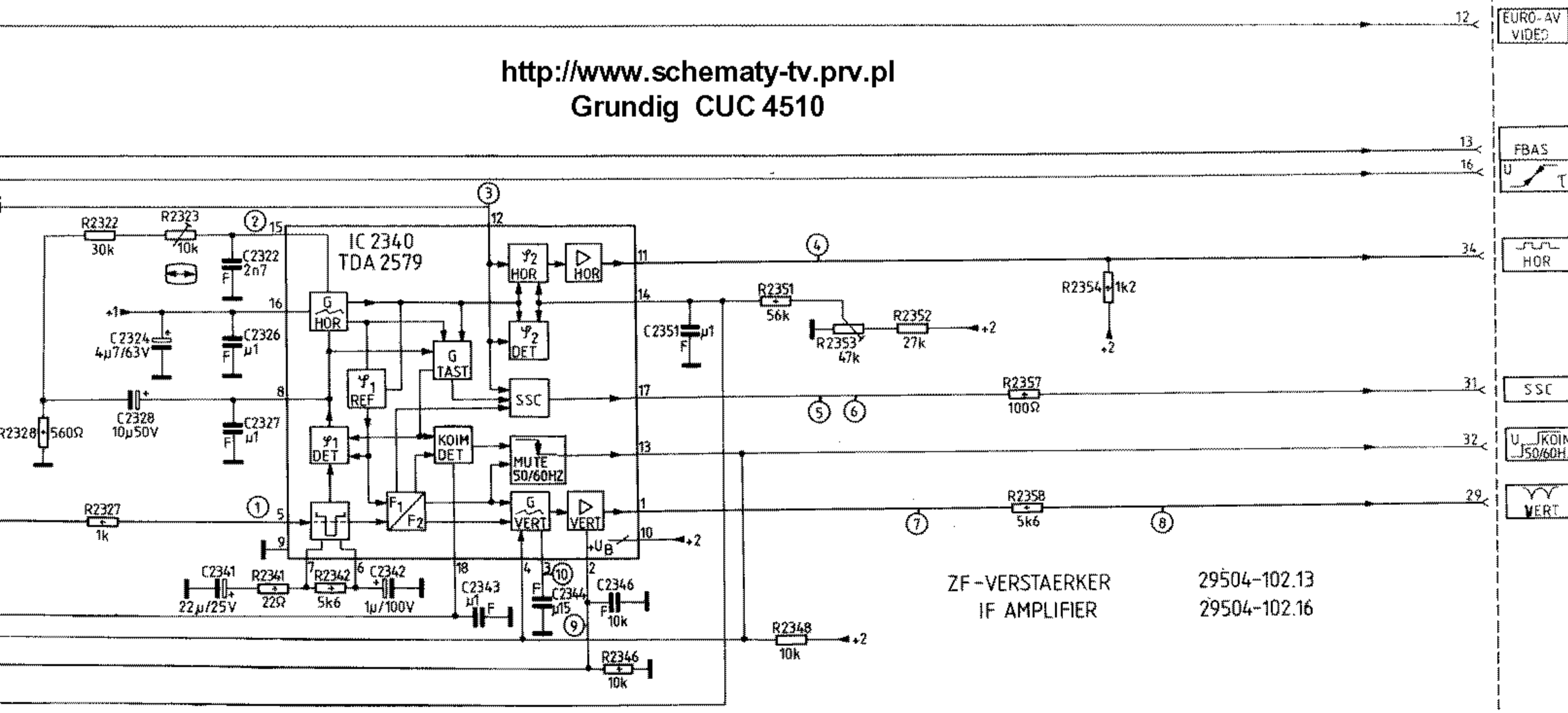






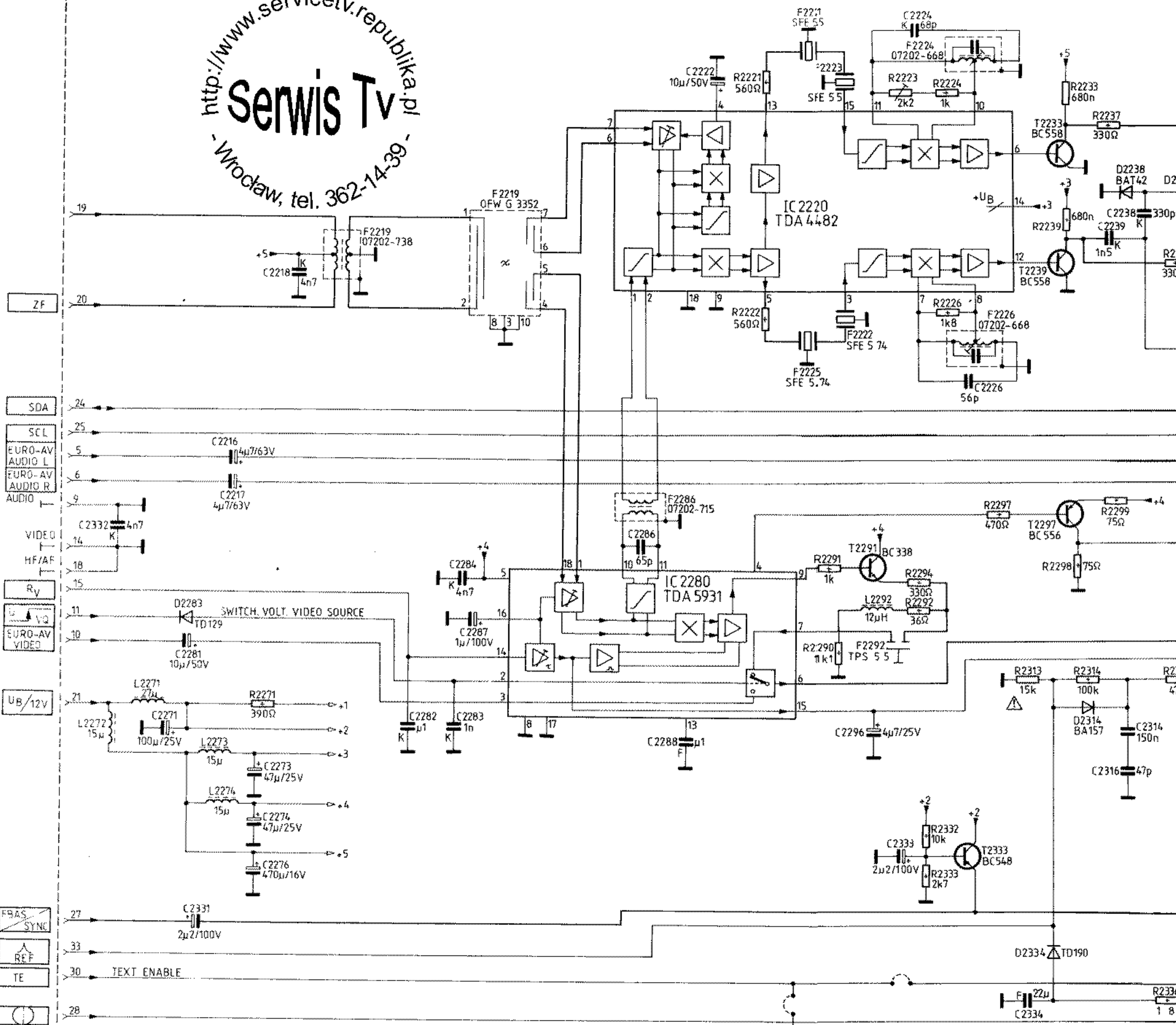
- 8 EURO-AV AUDIO-R
- 7 EURO-AV AUDIO-L
- 3 AUDIO KH-R
- 4 AUDIO KH-L
- 1 AUDIO-L
- 2 AUDIO-R

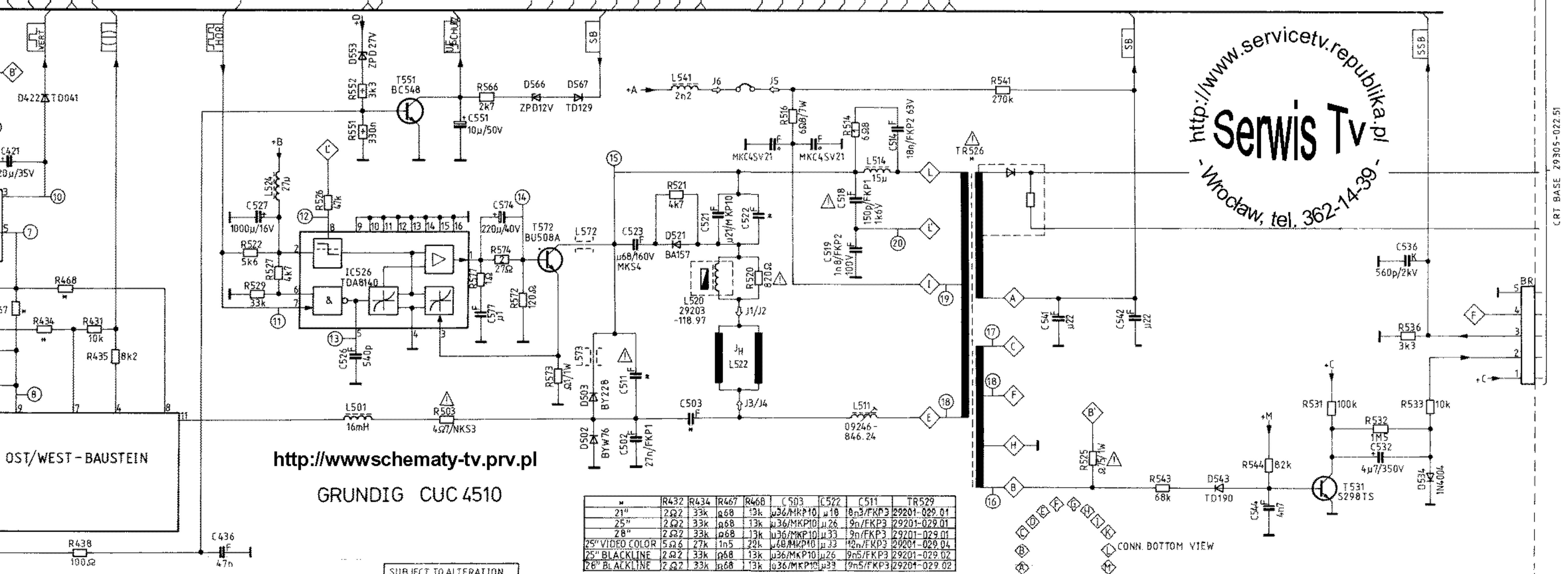
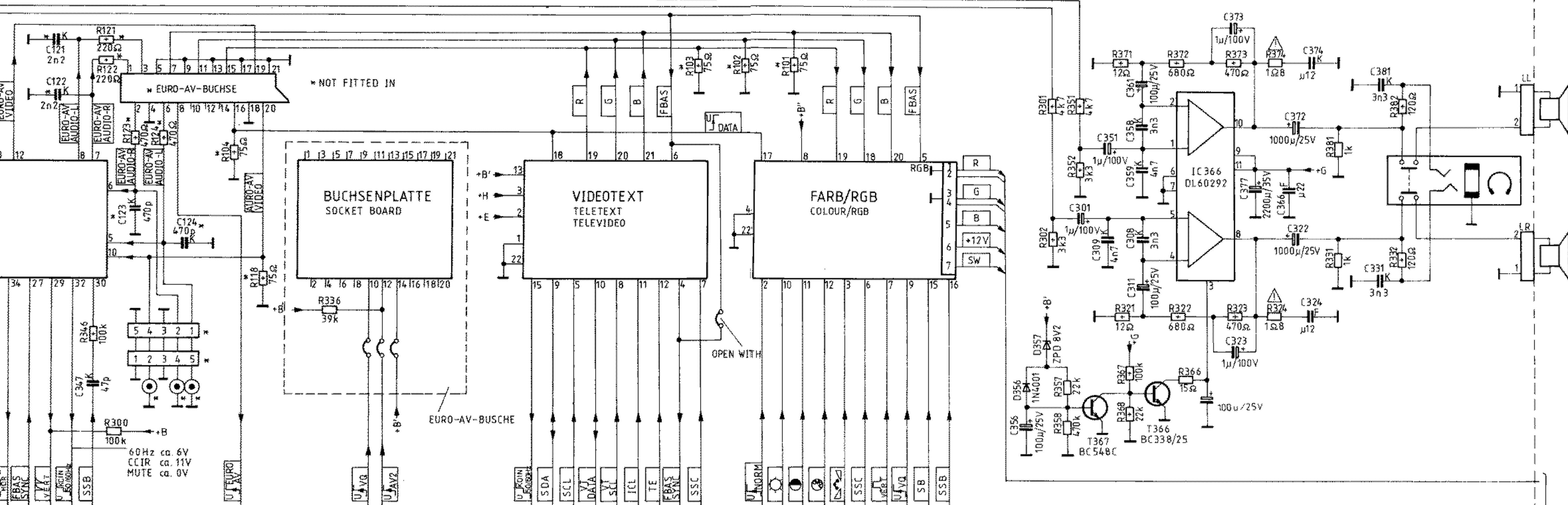
<http://www.schematy-tv.prv.pl>
 Grundig CUC 4510



- 12 EURO-AV VIDEO
- 13 FBAS
- 16 FBAS
- 34 HOR
- 31 SSC
- 32 U JKDIN 150/60HZ
- 29 VERT

ZF-VERSTAERKER 29504-102.13
 IF AMPLIFIER 29504-102.16





http://www.servicetv.republika.pl
Serwis Tv
 - Wrocław, tel. 362-14-39 -

CRT BASE 29305-022.51

SUBJECT TO ALTERATION