

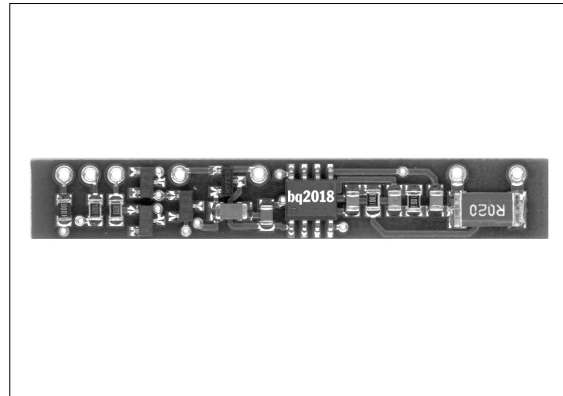
bq2018 Power Minder™ Demonstration Module

Features

- Complete bq2018 circuit
- Combines the bq2018, voltage regulator, sense resistor, and backup capacitor on a single PCB
- Works for any battery pack chemistry or capacity
- Communicates charge/discharge information to a host with a single-wire interface
- Direct connections for the pack cells and communications port

General Description

The DM2018 Power Minder Demonstration Module is a typical implementation for the bq2018 Power Minder IC. The DM2018 incorporates a bq2018 Power Minder IC, supply voltage regulator, sense resistor, and backup capacitor on a small circuit board. The module provides direct connections for the positive and negative terminals of the series cells in the battery pack, and can fit in the crevice formed by two adjacent cells. The DM2018 allows a battery pack to be equipped easily with bq2018 electronics for evaluation of the IC in the application.



Pin Descriptions

BAT+	Battery positive/pack positive
BAT-	Battery negative
HDQ	Communications port
PACK-	Pack negative
WAKE	Wakeup output
RBI	Register backup input
VCC	bq2018 supply voltage

DM2018

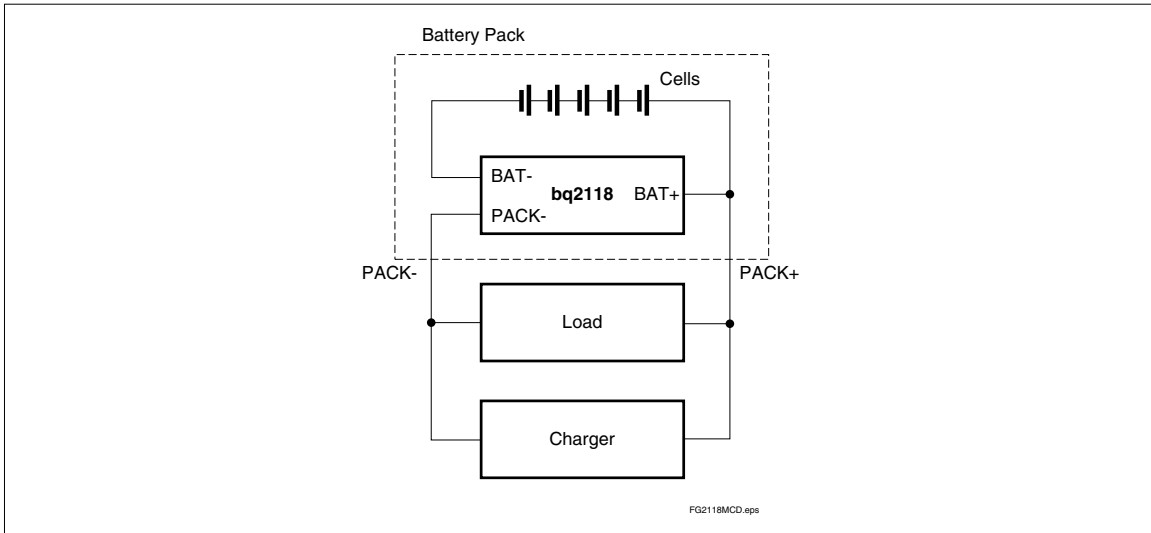
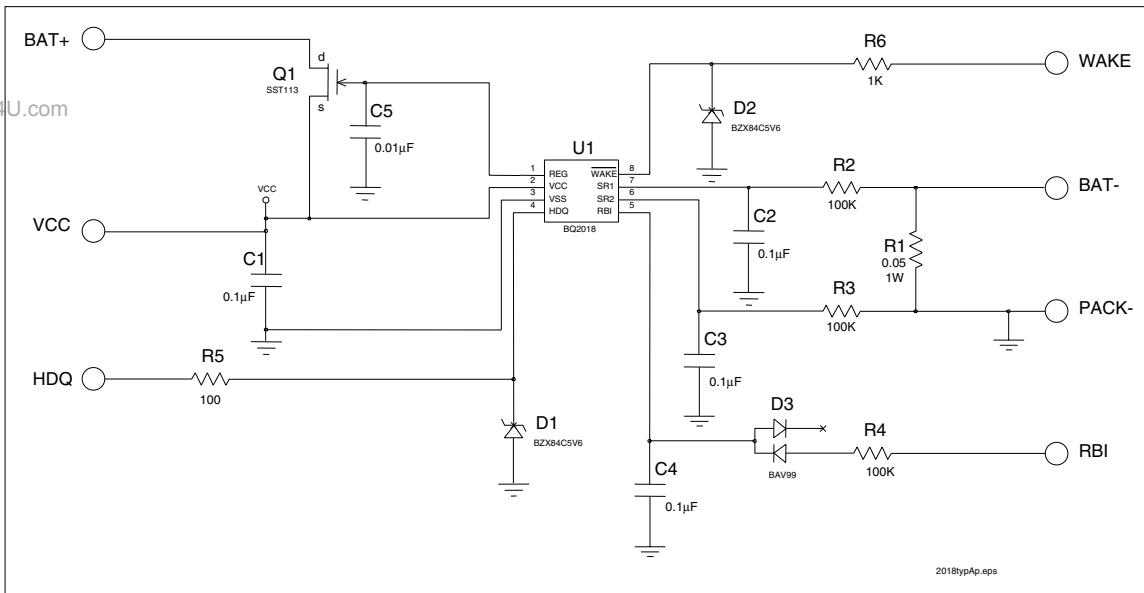


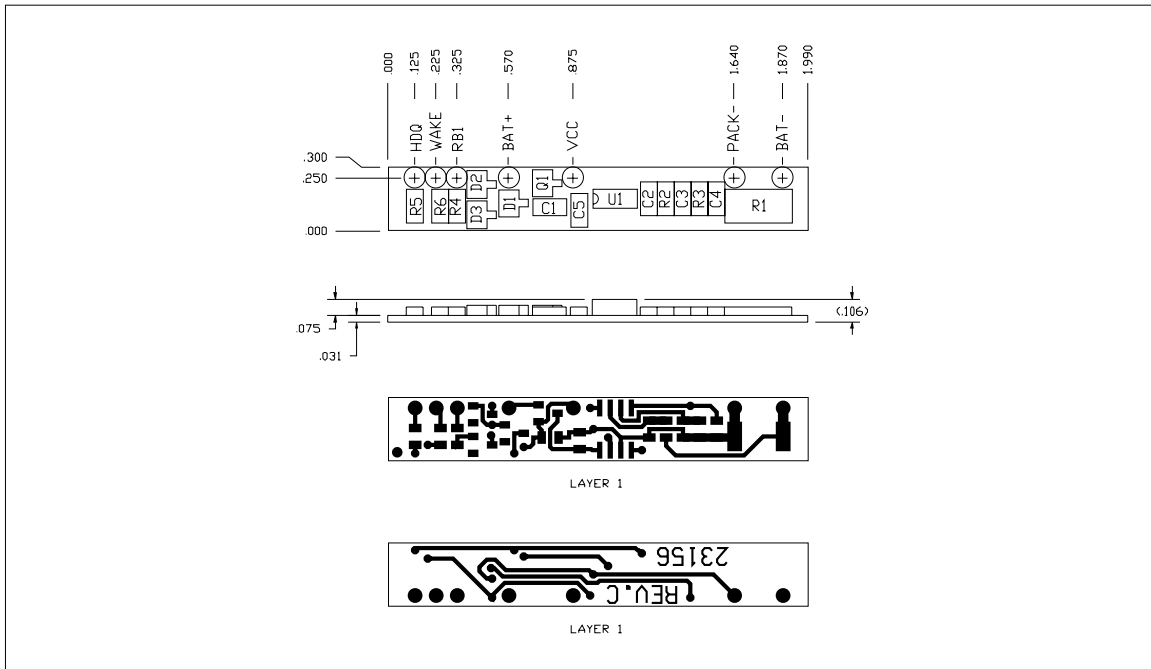
Figure 1. Module Connection Diagram

bq2118 Schematic



DM2018

bq2118 Board



Ordering Information

Part Number	Evaluation Kit Part Number	Chemistry	Pack Voltage	Capacity
DM2018-001	bq2018EVM-001	Any	3.5V-18.0V	Any