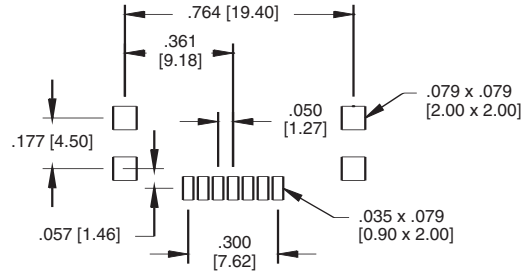
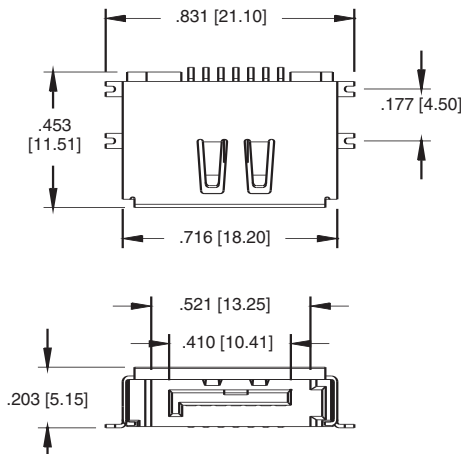


SATA-B
SHIELDED, R/A, TRUE SMT



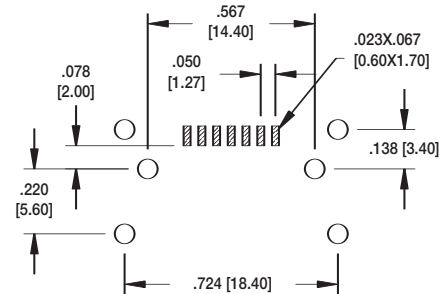
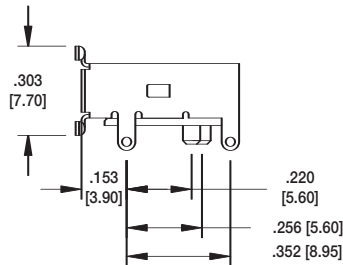
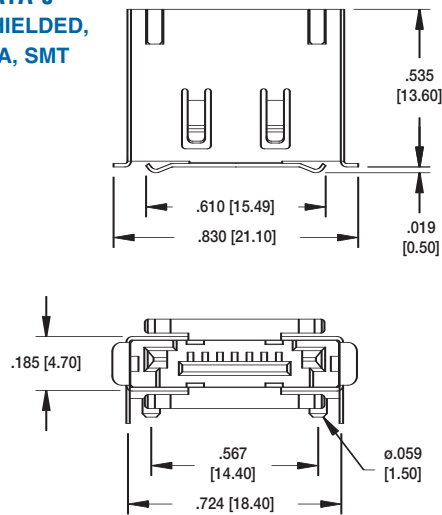
SATA-B-PL-SMT-K



SATA-J
SHIELDED, R/A, SMT



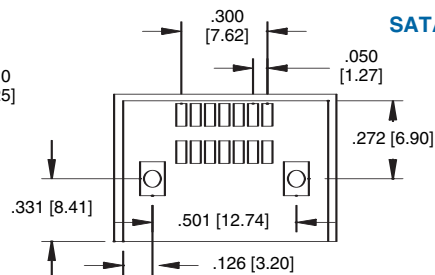
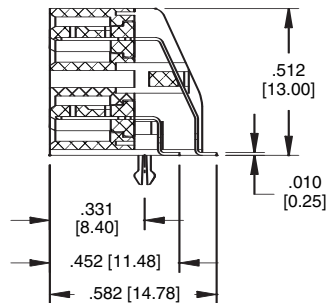
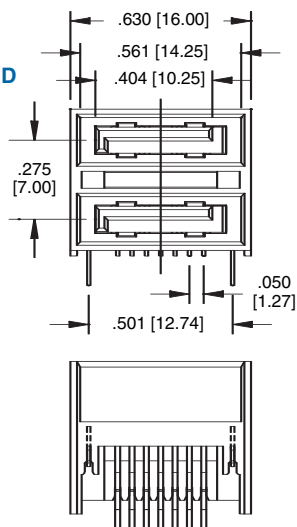
SATA-J-NP-SMT-P-S-PG



SATA-D
DUAL
STACKED
SMT



SATA-D-PL-SMT-S

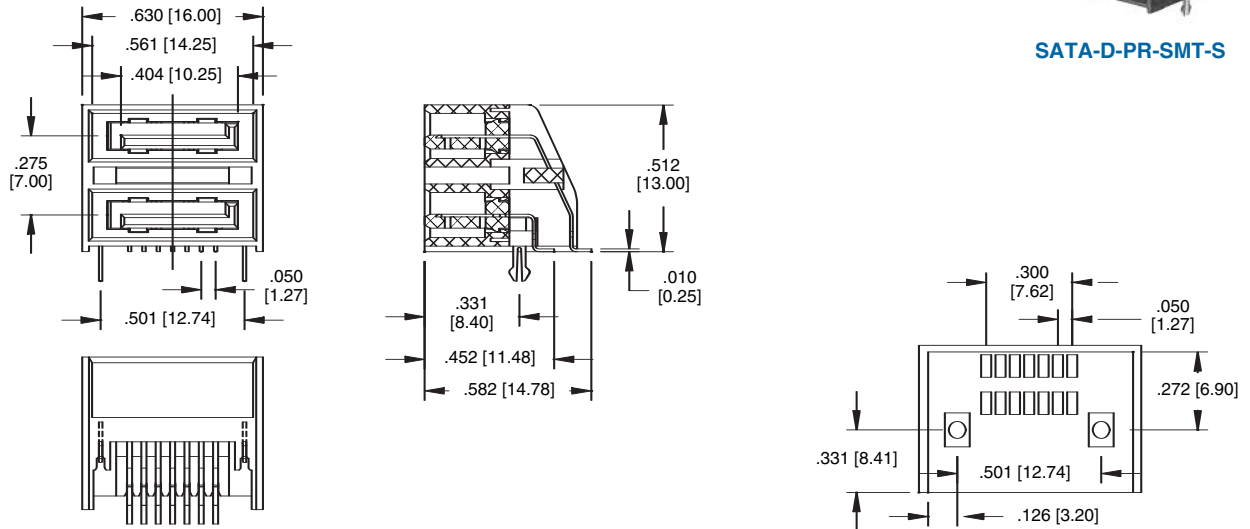


Recommended PCB Layout

SATA-D
DUAL STACKED, SMT



SATA-D-PR-SMT-S

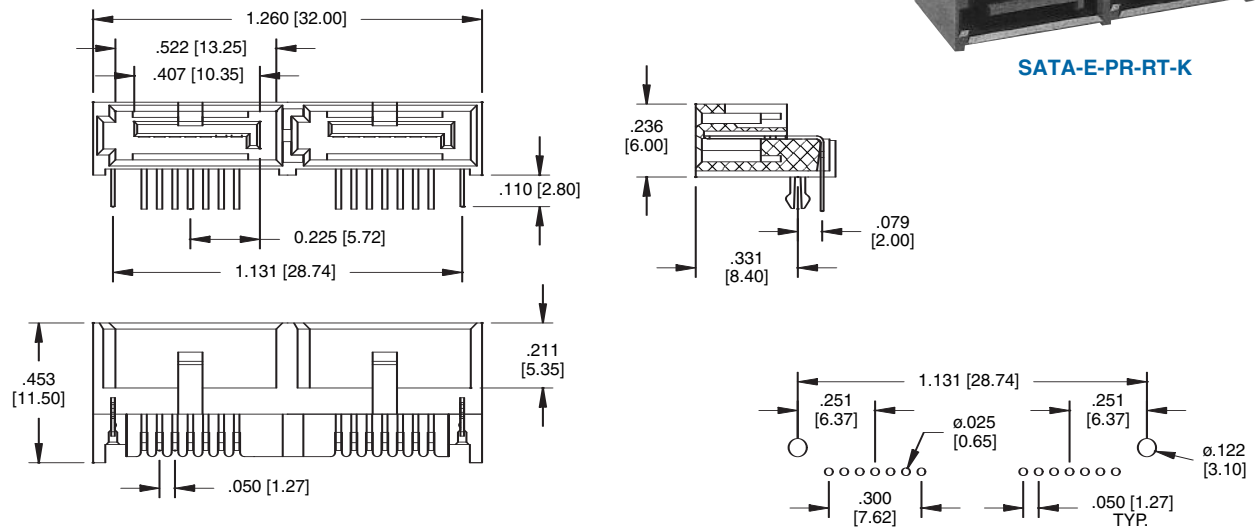


Recommended PCB Layout

SATA-E
DUAL, SIDE BY SIDE
THRU-HOLE



SATA-E-PR-RT-K



Recommended PCB Layout