

LOW DROPOUT VOLTAGE REGULATOR

■ GENERAL DESCRIPTION

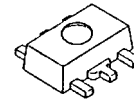
The NJU7780/81 is a low dropout voltage regulator with ON/OFF Control.

Advanced CMOS technology achieves low quiescent current.

It is suitable for cellular phone and other portable items.

When the ON/OFF control is used, NJU7781 has high transition response characteristics for shunt switch.

■ PACKAGE OUTLINE

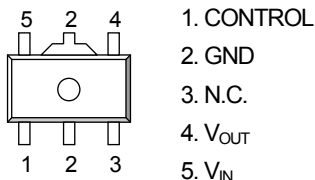


NJU7780/81U1

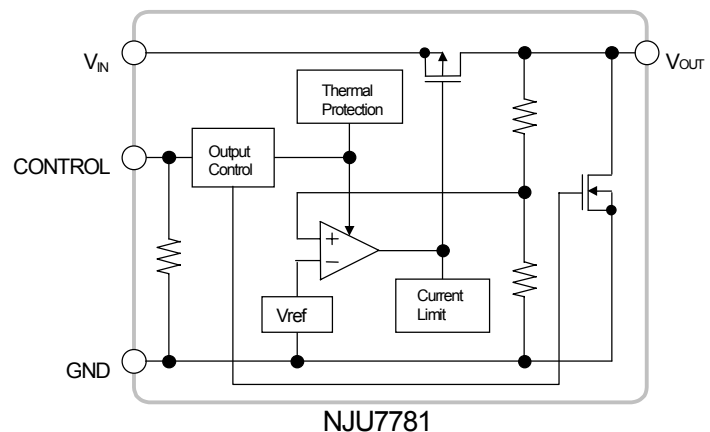
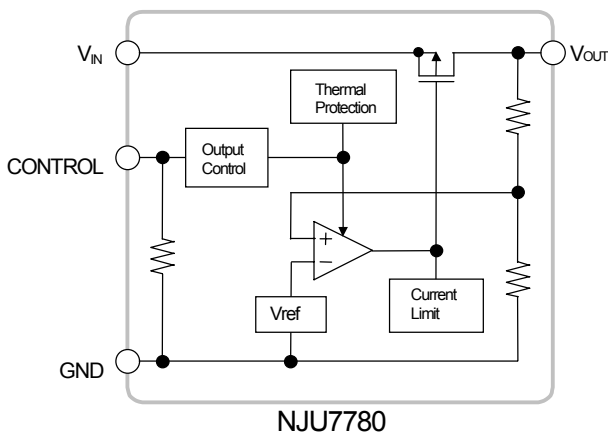
■ FEATURES

- High Ripple Rejection 65dB typ. (f=400Hz, $V_o=3V$)
- Low quiescent Current $I_q=20\mu A$ ($I_o=0mA$, $V_{CONT}=V_{IN}$)
- Output capacitor with 1.0 μF ceramic capacitor
- Output Current $I_o(max)=300mA$
- High Precision Output $V_o\pm 1.0\%$
- Low Dropout Voltage 0.15V typ. ($I_o=150mA$, $V_o=3.0V$)
- ON/OFF Control (Active High)
- Shunt Switch Only NJU7781
- Internal Short Circuit Current Limit
- Internal Thermal Overload Protection
- CMOS technology
- Package outline SOT-89-5

■ PIN CONFIGURATION



■ EQUIVALENT CIRCUIT



NJU7780/81

■ OUTPUT VOLTAGE RANK LIST (1.5V~5.0V : 0.1V step)

Device Name	V _{OUT}
NJU778xU1-21	2.1V
NJU778xU1-25	2.5V
NJU778xU1-03	3.0V
NJU778xU1-33	3.3V
NJU778xU1-05	5.0V

■ ABSOLUTE MAXIMUM RATINGS

(Ta=25°C)

PARAMETER	SYMBOL	RATINGS	UNIT
Input Voltage	V _{IN}	+10	V
Control Voltage	V _{CONT}	+10(*1)	V
Power Dissipation	P _D	350(*2)	mW
Operating Temperature	Topr	-40 ~ +85	°C
Storage Temperature	Tstg	-40 ~ +125	°C
OFF-state Output Sink Current (*3)	I _o	10	mA

(*1): When input voltage is less than +10V, the absolute maximum control voltage is equal to the input voltage.

(*2): Device itself.

(*3): This maximum rating is applied to NJU7781.

■ ELECTRICAL CHARACTERISTICS

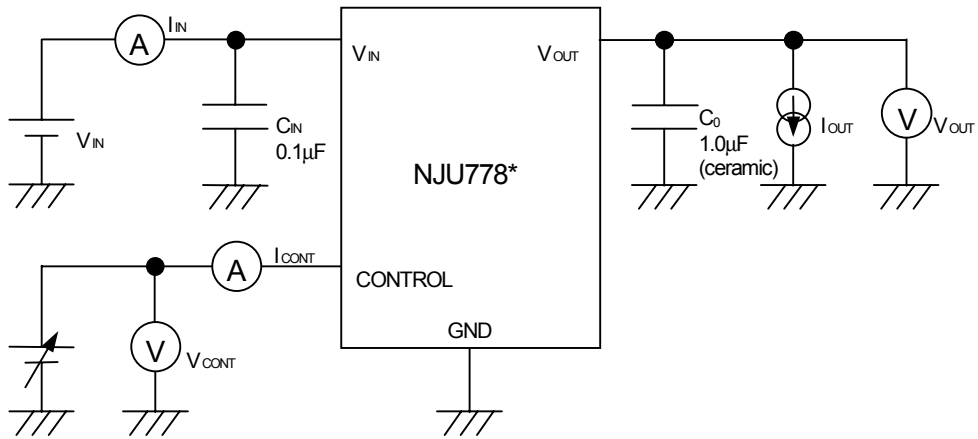
(V_{IN}=V_o+1V, C_{IN}=0.1μF, C_o=0.1μF, Ta=25°C)

PARAMETER	SYMBOL	TEST CONDITION	MIN.	TYP.	MAX.	UNIT	
Output Voltage	V _o	I _o =30mA	-1.0%	-	+1.0%	V	
Input Voltage	V _{IN}		-	-	9	V	
Quiescent Current	I _Q	I _o =0mA, V _{CONT} =V _{IN}	-	20	40	μA	
Quiescent Current at Control OFF	I _{Q(OFF)}	V _{CONT} =0V	-	-	1	μA	
Output Current	I _o	V _o =0.3V	300	-	-	mA	
Short Current Limit	I _{LIM}	V _o =0V	-	120	-	mA	
Line Regulation	ΔV _o /ΔV _{IN}	V _{IN} =V _o +1V~V _o +6V(3.0>V _o), V _{IN} =V _o +1V~V _o +9V(3.0≤V _o), I _o =30mA	-	-	0.10	%/V	
Load Regulation	ΔV _o /ΔI _o	I _o =0~300mA	-	-	0.015	%/mA	
Dropout Voltage	ΔV _{LO}	I _o =150mA	2.1 ≤ V _o ≤ 2.6V	-	0.18	0.25	V
			2.7 ≤ V _o ≤ 3.3V	-	0.15	0.22	
			3.4 ≤ V _o ≤ 5.0V	-	0.12	0.2	
Ripple Rejection	RR	e _{in} =200mVrms, f=400Hz, I _o =10mA, V _o =3.0V	-	65	-	dB	
Average Temperature Coefficient of Output Voltage	ΔV _o /ΔTa	Ta=0~85°C, I _o =10mA	-	±100	-	ppm/ ^o C	
Output Noise Voltage	V _{NO}	F=10Hz~80kHz, I _o =10mA, V _o =3.0V	-	80	-	μVrms	
Pull-Down Resistance	R _{CONT}		1.5	5	10	MΩ	
Control Voltage for ON-state	V _{CONT(ON)}		1.6	-	-	V	
Control Voltage for OFF-state	V _{CONT(OFF)}		-	-	0.3	V	

The above specification is a common specification for all output voltages.

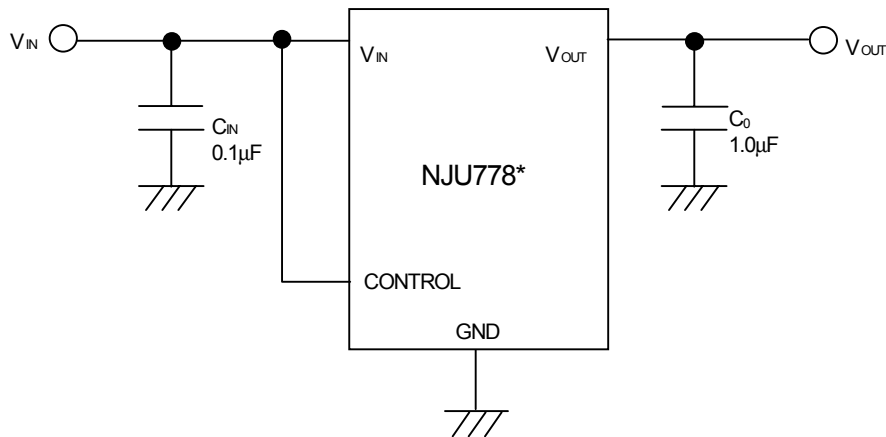
Therefore, it may be different from the individual specification for a specific output voltage..

■ TEST CIRCUIT



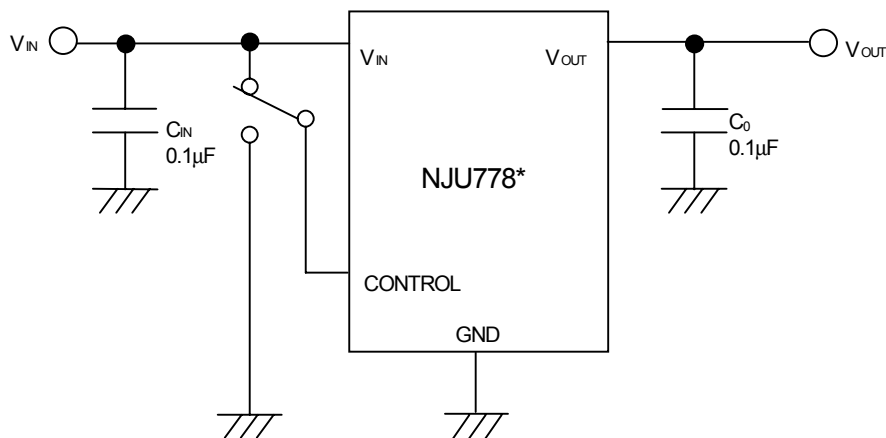
■ TYPICAL APPLICATION

① In the case where ON/OFF Control is not required:



Connect control terminal to V_{IN} terminal

② In use of ON/OFF CONTROL:

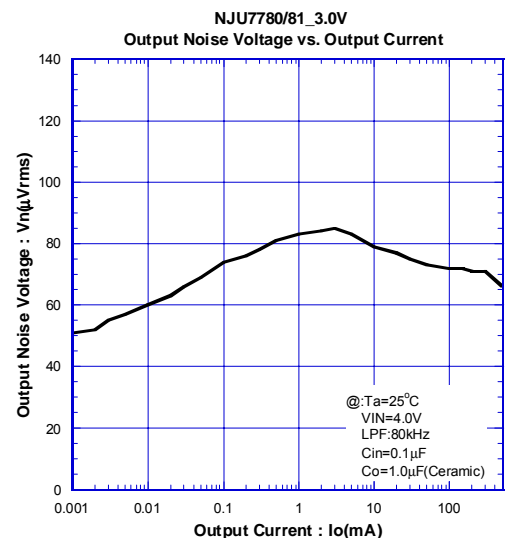
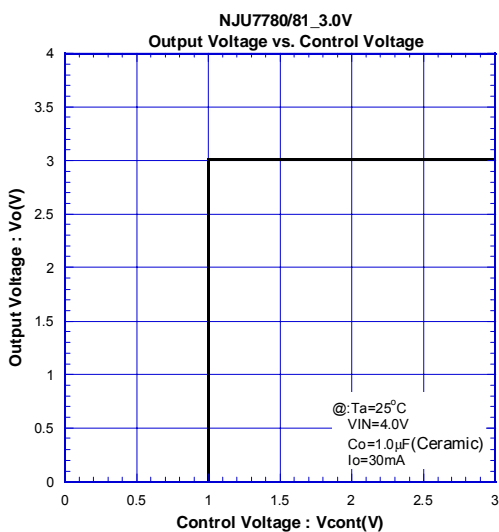
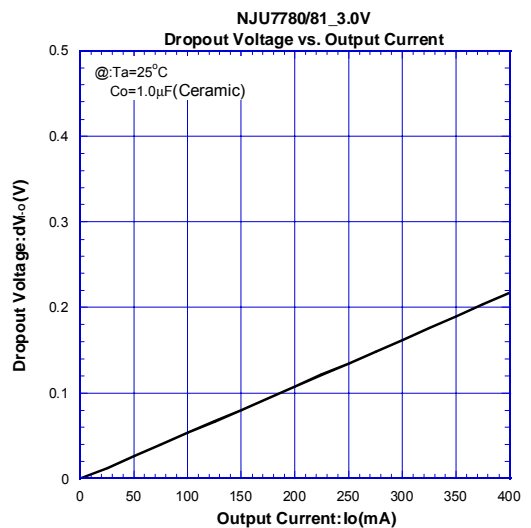
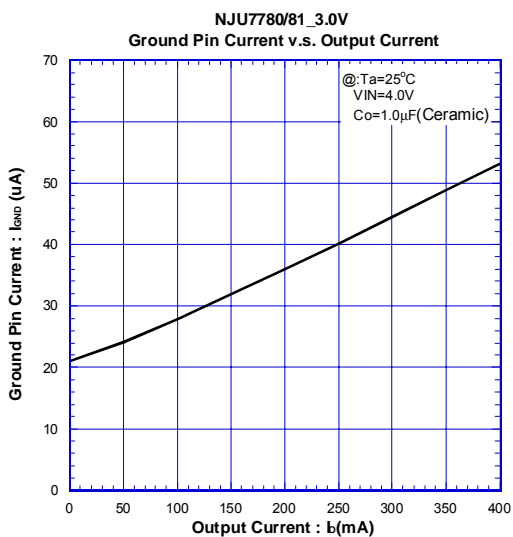
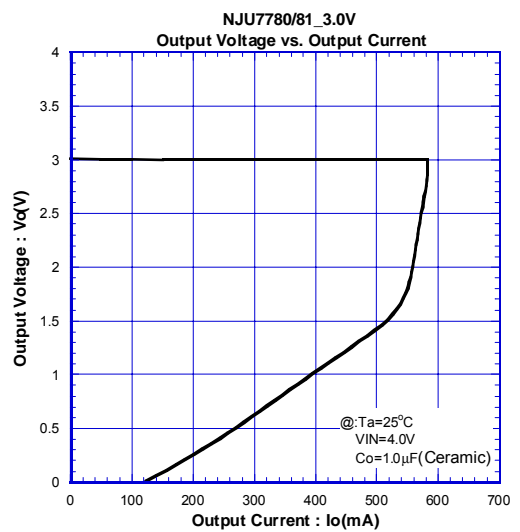
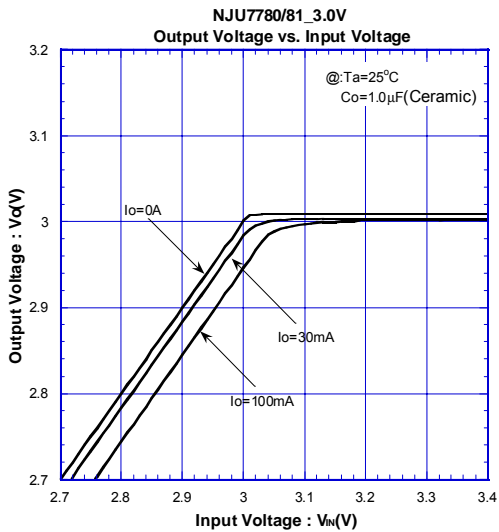


State of control terminal:

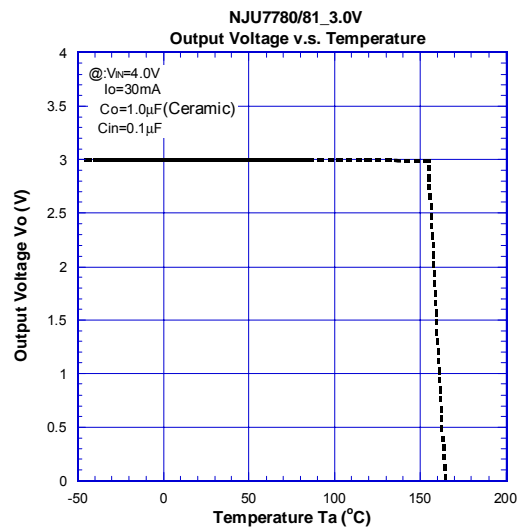
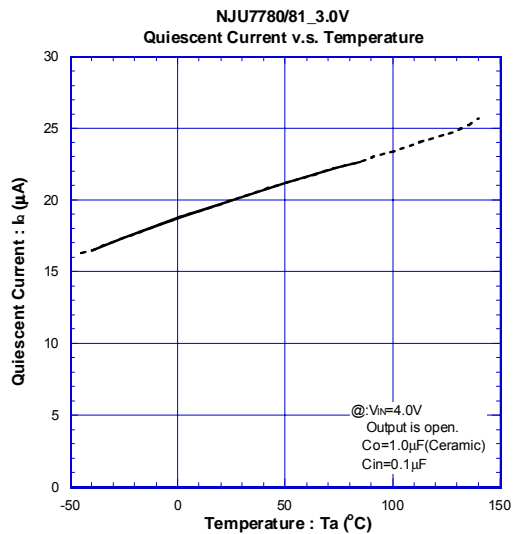
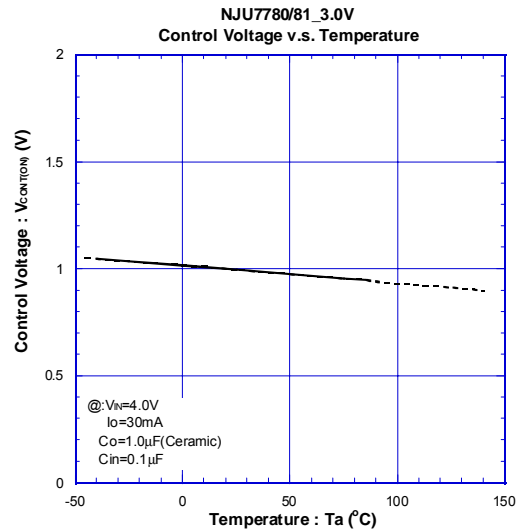
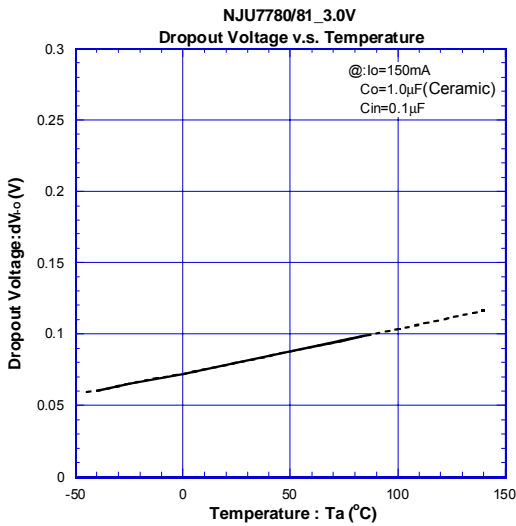
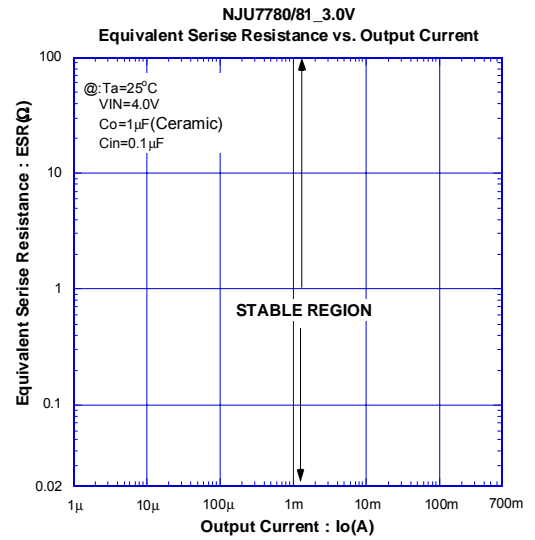
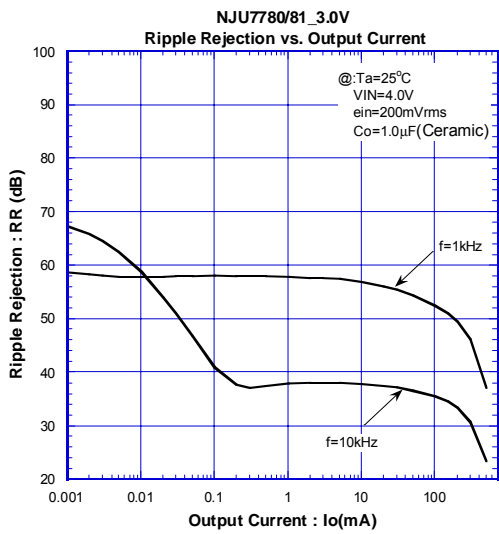
- “H” → output is enabled.
- “L” or “open” → output is disabled.

NJU7780/81

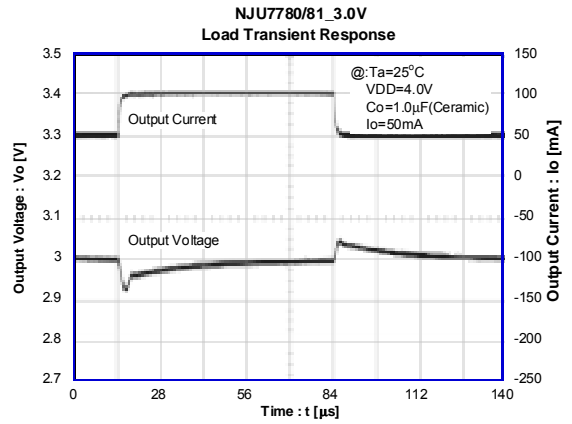
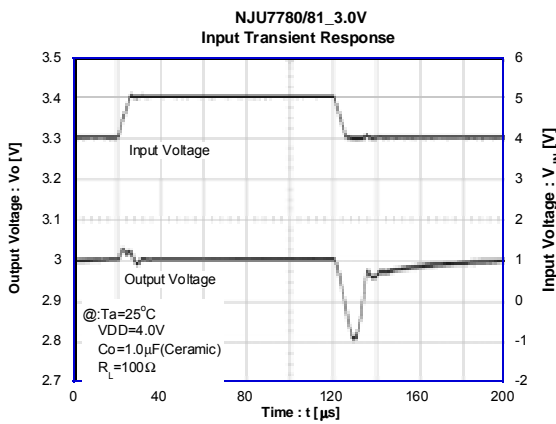
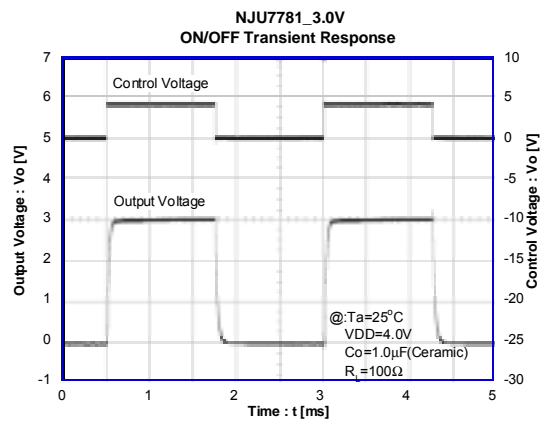
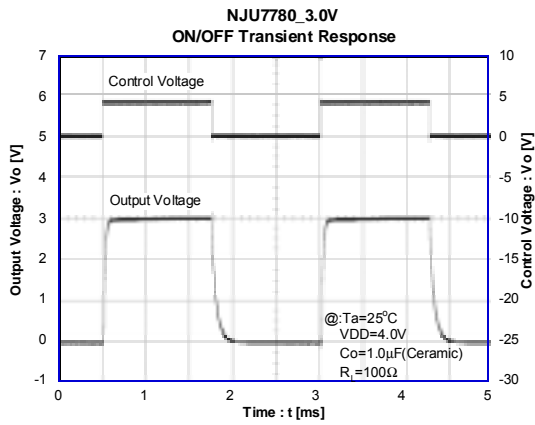
■ ELECTRICAL CHARACTERISTICS



ELECTRICAL CHARACTERISTICS



■ ELECTRICAL CHARACTERISTICS



[CAUTION]
The specifications on this databook are only given for information, without any guarantee as regards either mistakes or omissions. The application circuits in this databook are described only to show representative usages of the product and not intended for the guarantee or permission of any right including the industrial rights.