

AG-640480C (7.5" MONO)

FEATURE

1. Construction : FSTN LCD, drivers and CCFL back-light.
2. +5V for logic circuit and +25V for LCD driving.
3. Normal temperature type.

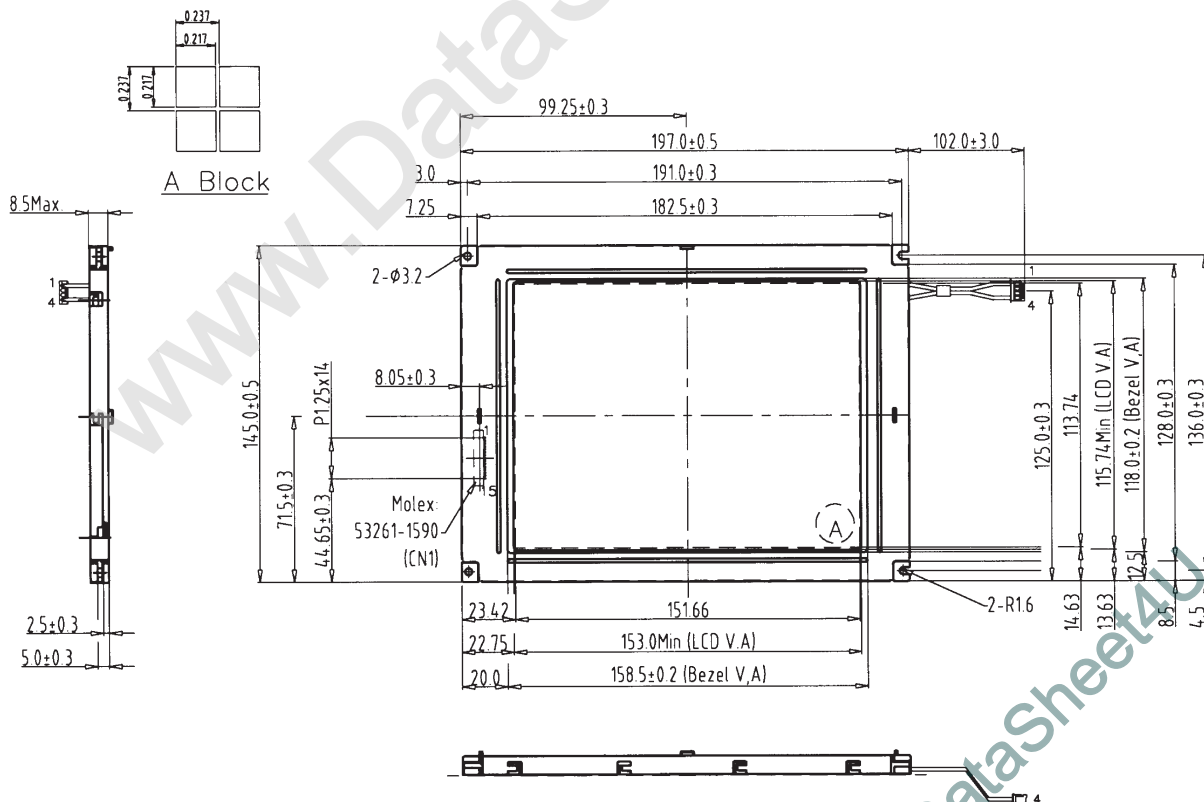
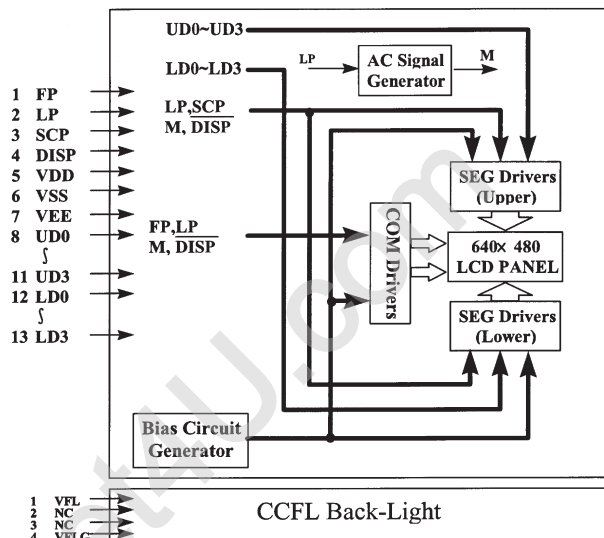
640x480 dots 1/240 Duty

ELECTRICAL CHARACTERISTICS

Parameter	Symbol	Condition	Typ. Value	Unit.
LCD Driving Voltage	VEE	25°C	22.5	V
Logic Supply Current	IDD	VDD=5.0V	30	mA
	IEE	VEE=22.5V	20	

INTERFACE

1	2	3	4	5	6	7	8	9	10
FP	LP	SCP	DISP	VDD	VSS	VEE	UD0	UD1	UD2
11	12	13	14	15					
UD3	LD0	LD1	LD2	LD3					



Connector
 FFC: Connector
 CN2: Mitsumi: M63-M83-04