

**57MHz, Wideband, Four Quadrant, Voltage Output Analog Multiplier**

The HA-2556 is a monolithic, high speed, four quadrant, analog multiplier constructed in the Intersil Dielectrically Isolated High Frequency Process. The voltage output simplifies many designs by eliminating the current-to-voltage conversion stage required for current output multipliers. The HA-2556 provides a 450V/ $\mu$ s slew rate and maintains 52MHz and 57MHz bandwidths for the X and Y channels respectively, making it an ideal part for use in video systems.

The suitability for precision video applications is demonstrated further by the Y Channel 0.1dB gain flatness to 5.0MHz, 1.5% multiplication error, -50dB feedthrough and differential inputs with 8 $\mu$ A bias current. The HA-2556 also has low differential gain (0.1%) and phase (0.1 $^\circ$ ) errors.

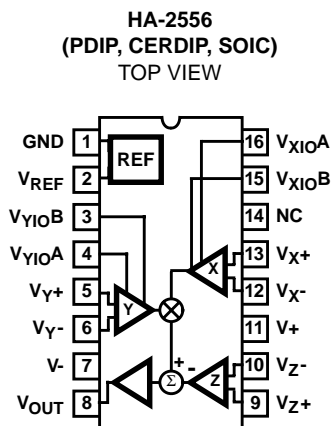
The HA-2556 is well suited for AGC circuits as well as mixer applications for sonar, radar, and medical imaging equipment. The HA-2556 is not limited to multiplication applications only; frequency doubling, power detection, as well as many other configurations are possible.

For MIL-STD-883 compliant product consult the HA-2556/883 datasheet.

**Ordering Information**

PART NUMBER	TEMP. RANGE (°C)	PACKAGE	PKG. NO.
HA3-2556-9	-40 to 85	16 Ld PDIP	E16.3
HA9P2556-9	-40 to 85	16 Ld SOIC	M16.3
HA1-2556-9	-40 to 85	16 Ld CERDIP	F16.3

**Pinout**



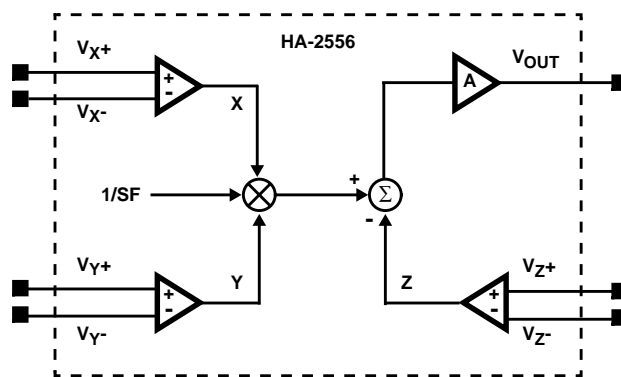
**Features**

- High Speed Voltage Output . . . . . 450V/ $\mu$ s
- Low Multiplication Error . . . . . 1.5%
- Input Bias Currents . . . . . 8 $\mu$ A
- 5MHz Feedthrough . . . . . -50dB
- Wide Y Channel Bandwidth . . . . . 57MHz
- Wide X Channel Bandwidth . . . . . 52MHz
- $V_Y$  0.1dB Gain Flatness . . . . . 5.0MHz

**Applications**

- Military Avionics
- Missile Guidance Systems
- Medical Imaging Displays
- Video Mixers
- Sonar AGC Processors
- Radar Signal Conditioning
- Voltage Controlled Amplifier
- Vector Generators

**Functional Block Diagram**



NOTE: The transfer equation for the HA-2556 is:  
 $(V_{X+} - V_{X-}) (V_{Y+} - V_{Y-}) = S_F (V_{Z+} - V_{Z-})$ ,  
 where SF = Scale Factor = 5V;  $V_X, V_Y,$   
 $V_Z$  = Differential Inputs.

**Absolute Maximum Ratings**

Voltage Between V+ and V- Terminals ..... 35V  
 Differential Input Voltage ..... 6V  
 Output Current ..... ±60mA

**Operating Conditions**

Temperature Range ..... -40°C to 85°C

**Thermal Information**

Thermal Resistance (Typical, Note 1)     θ<sub>JA</sub> (°C/W)   θ<sub>JC</sub> (°C/W)  
 PDIP Package ..... 77                    N/A  
 SOIC Package ..... 90                    N/A  
 CERDIP Package ..... 75                 20  
 Maximum Junction Temperature (Ceramic Package) ..... 175°C  
 Maximum Junction Temperature (Plastic Packages) ..... 150°C  
 Maximum Storage Temperature Range ..... -65°C to 150°C  
 Maximum Lead Temperature (Soldering 10s) ..... 300°C  
 (SOIC - Lead Tips Only)

*CAUTION: Stresses above those listed in "Absolute Maximum Ratings" may cause permanent damage to the device. This is a stress only rating and operation of the device at these or any other conditions above those indicated in the operational sections of this specification is not implied.*

**NOTE:**

1. θ<sub>JA</sub> is measured with the component mounted on an evaluation PC board in free air.

**Electrical Specifications**   V<sub>SUPPLY</sub> = ±15V, R<sub>F</sub> = 50Ω, R<sub>L</sub> = 1kΩ, C<sub>L</sub> = 20pF, Unless Otherwise Specified

PARAMETER	TEST CONDITIONS	TEMP. (°C)	MIN	TYP	MAX	UNITS
<b>MULTIPLIER PERFORMANCE</b>						
Transfer Function			$V_{OUT} = A \left[ \frac{(V_{X+} - V_{X-}) \times (V_{Y+} - V_{Y-})}{5} - (V_{Z+} - V_{Z-}) \right]$			
Multiplication Error	Note 2	25	-	1.5	3	%
		Full	-	3.0	6	%
Multiplication Error Drift		Full	-	0.003	-	%/°C
Scale Factor		25	-	5	-	V
Linearity Error	V <sub>X</sub> , V <sub>Y</sub> = ±3V, Full Scale = 3V	25	-	0.02	-	%
	V <sub>X</sub> , V <sub>Y</sub> = ±4V, Full Scale = 4V	25	-	0.05	0.25	%
	V <sub>X</sub> , V <sub>Y</sub> = ±5V, Full Scale = 5V	25	-	0.2	0.5	%
<b>AC CHARACTERISTICS</b>						
Small Signal Bandwidth (-3dB)	V <sub>Y</sub> = 200mV <sub>P-P</sub> , V <sub>X</sub> = 5V	25	-	57	-	MHz
	V <sub>X</sub> = 200mV <sub>P-P</sub> , V <sub>Y</sub> = 5V	25	-	52	-	MHz
Full Power Bandwidth (-3dB)	10V <sub>P-P</sub>	25	-	32	-	MHz
Slew Rate	Note 5	25	420	450	-	V/μs
Rise Time	Note 6	25	-	8	-	ns
Overshoot	Note 6	25	-	20	-	%
Settling Time	To 0.1%, Note 5	25	-	100	-	ns
Differential Gain	Notes 3, 8	25	-	0.1	0.2	%
Differential Phase	Notes 3, 8	25	-	0.1	0.3	Degrees
V <sub>Y</sub> 0.1dB Gain Flatness	200mV <sub>P-P</sub> , V <sub>X</sub> = 5V, Note 8	25	4.0	5.0	-	MHz
V <sub>X</sub> 0.1dB Gain Flatness	200mV <sub>P-P</sub> , V <sub>Y</sub> = 5V, Note 8	25	2.0	4.0	-	MHz
THD + N	Note 4	25	-	0.03	-	%
1MHz Feedthrough	200mV <sub>P-P</sub> , Other Ch Nulled	25	-	-65	-	dB
5MHz Feedthrough	200mV <sub>P-P</sub> , Other Ch Nulled	25	-	-50	-	dB
<b>SIGNAL INPUT (V<sub>X</sub>, V<sub>Y</sub>, V<sub>Z</sub>)</b>						
Input Offset Voltage		25	-	3	15	mV
		Full	-	8	25	mV
Average Offset Voltage Drift		Full	-	45	-	μV/°C
Input Bias Current		25	-	8	15	μA
		Full	-	12	20	μA

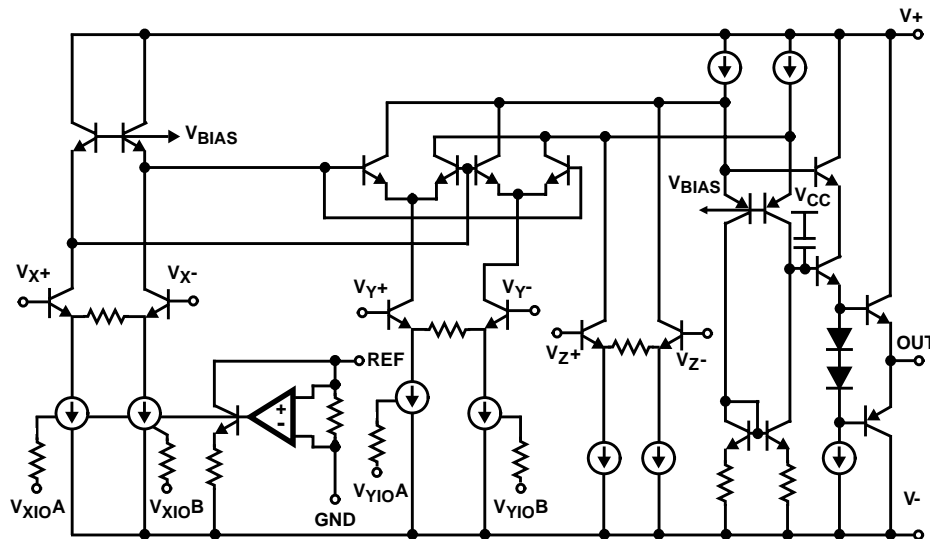
**Electrical Specifications**  $V_{SUPPLY} = \pm 15V$ ,  $R_F = 50\Omega$ ,  $R_L = 1k\Omega$ ,  $C_L = 20pF$ , Unless Otherwise Specified (Continued)

PARAMETER	TEST CONDITIONS	TEMP. (°C)	MIN	TYP	MAX	UNITS
Input Offset Current		25	-	0.5	2	$\mu A$
		Full	-	1.0	3	$\mu A$
Differential Input Resistance		25	-	1	-	$M\Omega$
Full Scale Differential Input ( $V_X$ , $V_Y$ , $V_Z$ )		25	$\pm 5$	-	-	V
$V_X$ Common Mode Range		25	-	$\pm 10$	-	V
$V_Y$ Common Mode Range		25	-	+9, -10	-	V
CMRR Within Common Mode Range		Full	65	78	-	dB
Voltage Noise (Note 9)	$f = 1kHz$	25	-	150	-	$nV/\sqrt{Hz}$
	$f = 100kHz$	25	-	40	-	$nV/\sqrt{Hz}$
<b>OUTPUT CHARACTERISTICS</b>						
Output Voltage Swing	Note 10	Full	$\pm 5.0$	$\pm 6.05$	-	V
Output Current		Full	$\pm 20$	$\pm 45$	-	mA
Output Resistance		25	-	0.7	1.0	$\Omega$
<b>POWER SUPPLY</b>						
+PSRR	Note 7	Full	65	80	-	dB
-PSRR	Note 7	Full	45	55	-	dB
Supply Current		Full	-	18	22	mA

NOTES:

2. Error is percent of full scale, 1% = 50mV.
3.  $f = 4.43MHz$ ,  $V_Y = 300mV_{P-P}$ , 0 to 1V<sub>DC</sub> offset,  $V_X = 5V$ .
4.  $f = 10kHz$ ,  $V_Y = 1V_{RMS}$ ,  $V_X = 5V$ .
5.  $V_{OUT} = 0$  to  $\pm 4V$ .
6.  $V_{OUT} = 0$  to  $\pm 100mV$ .
7.  $V_S = \pm 12V$  to  $\pm 15V$ .
8. Guaranteed by characterization and not 100% tested.
9.  $V_X = V_Y = 0V$ .
10.  $V_X = 5.5V$ ,  $V_Y = \pm 5.5V$ .

**Simplified Schematic**



**Application Information**

**Operation at Reduced Supply Voltages**

The HA-2556 will operate over a range of supply voltages, ±5V to ±15V. Use of supply voltages below ±12V will reduce input and output voltage ranges. See “Typical Performance Curves” for more information.

**Offset Adjustment**

X and Y channel offset voltages may be nulled by using a 20K potentiometer between the V<sub>YIO</sub> or V<sub>XIO</sub> adjust pin A and B and connecting the wiper to V<sub>-</sub>. Reducing the channel offset voltage will reduce AC feedthrough and improve the multiplication error. Output offset voltage can also be nulled by connecting V<sub>Z-</sub> to the wiper of a potentiometer which is tied between V<sub>+</sub> and V<sub>-</sub>.

**Capacitive Drive Capability**

When driving capacitive loads >20pF a 50Ω resistor should be connected between V<sub>OUT</sub> and V<sub>Z+</sub>, using V<sub>Z+</sub> as the output (see Figure 1). This will prevent the multiplier from going unstable and reduce gain peaking at high frequencies. The 50Ω resistor will dampen the resonance formed with the capacitive load and the inductance of the output at pin 8. Gain accuracy will be maintained because the resistor is inside the feedback loop.

**Theory of Operation**

The HA-2556 creates an output voltage that is the product of the X and Y input voltages divided by a constant scale factor of 5V. The resulting output has the correct polarity in each of the four quadrants defined by the combinations of positive and negative X and Y inputs. The Z stage provides the means for negative feedback (in the multiplier configuration) and an input for summation into the output. This results in the following equation, where X, Y and Z are high impedance differential inputs.

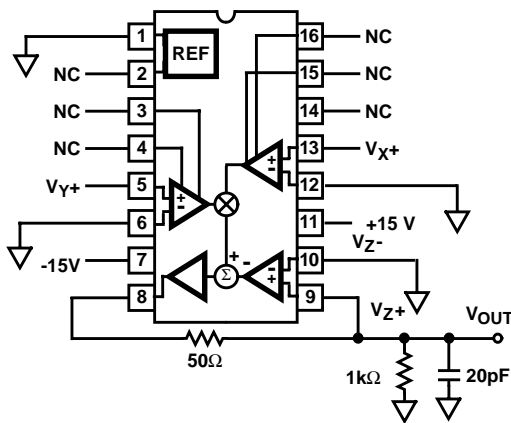


FIGURE 1. DRIVING CAPACITIVE LOAD

$$V_{OUT} = Z = \frac{X \times Y}{5}$$

To accomplish this the differential input voltages are first converted into differential currents by the X and Y input transconductance stages. The currents are then scaled by a constant reference and combined in the multiplier core. The multiplier core is a basic Gilbert Cell that produces a differential output current proportional to the product of X and Y input signal currents. This current becomes the output for the HA-2557.

The HA-2556 takes the output current of the core and feeds it to a transimpedance amplifier, that converts the current to a voltage. In the multiplier configuration, negative feedback is provided with the Z transconductance amplifier by connecting V<sub>OUT</sub> to the Z input. The Z stage converts V<sub>OUT</sub> to a current which is subtracted from the multiplier core before being applied to the high gain transimpedance amp. The Z stage, by virtue of it's similarity to the X and Y stages, also cancels second order errors introduced by the dependence of V<sub>BE</sub> on collector current in the X and Y stages.

The purpose of the reference circuit is to provide a stable current, used in setting the scale factor to 5V. This is achieved with a bandgap reference circuit to produce a temperature stable voltage of 1.2V which is forced across a NiCr resistor. Slight adjustments to scale factor may be possible by overriding the internal reference with the V<sub>REF</sub> pin. The scale factor is used to maintain the output of the multiplier within the normal operating range of ±5V when full scale inputs are applied.

**The Balance Concept**

The open loop transfer equation for the HA-2556 is:

$$V_{OUT} = A \left[ \frac{(V_{X+} - V_{X-}) \times (V_{Y+} - V_{Y-})}{5V} - (V_{Z+} - V_{Z-}) \right]$$

where;

- A = Output Amplifier Open Loop Gain
- V<sub>X</sub>, V<sub>Y</sub>, V<sub>Z</sub> = Differential Input Voltages
- 5V = Fixed Scaled Factor

An understanding of the transfer function can be gained by assuming that the open loop gain, A, of the output amplifier is infinite. With this assumption, any value of V<sub>OUT</sub> can be generated with an infinitesimally small value for the terms within the brackets. Therefore we can write the equation:

$$0 = \frac{(V_{X+} - V_{X-}) \times (V_{Y+} - V_{Y-})}{5V} - (V_{Z+} - V_{Z-})$$

which simplifies to:

$$(V_{X+} - V_{X-}) \times (V_{Y+} - V_{Y-}) = 5V (V_{Z+} - V_{Z-})$$

This form of the transfer equation provides a useful tool to analyze multiplier application circuits and will be called the Balance Concept.

**Typical Applications**

Let's first examine the Balance Concept as it applies to the standard multiplier configuration (Figure 2).

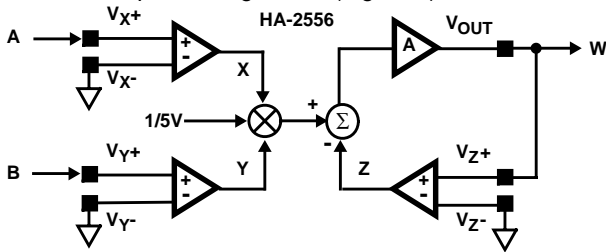


FIGURE 2. MULTIPLIER

Signals A and B are input to the multiplier and the signal W is the result. By substituting the signal values into the Balance equation you get:

$$(A) \times (B) = 5(W)$$

And solving for W:

$$W = \frac{A \times B}{5}$$

Notice that the output (W) enters the equation in the feedback to the Z stage. The Balance Equation does not test for stability, so remember that you must provide negative feedback. In the multiplier configuration, the feedback path is connected to VZ+ input, not VZ-. This is due to the inversion that takes place at the summing node just prior to the output amplifier. Feedback is not restricted to the Z stage, other feedback paths are possible as in the Divider Configuration shown in Figure 3.

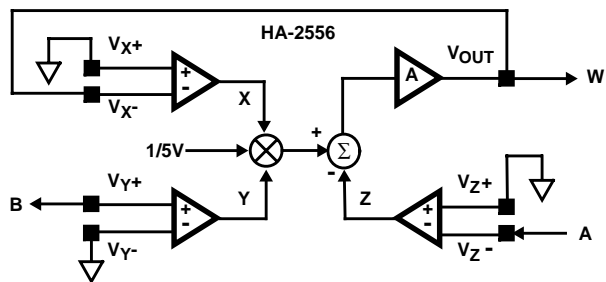


FIGURE 3. DIVIDER

Inserting the signal values A, B and W into the Balance Equation for the divider configuration yields:

$$(-W) (B) = 5V \times (-A)$$

Solving for W yields:

$$W = \frac{5A}{B}$$

Notice that, in the divider configuration, signal B must remain ≥0 (positive) for the feedback to be negative. If signal B is negative, then it will be multiplied by the Vx- input to produce positive feedback and the output will swing into the rail.

Signals may be applied to more than one input at a time as in the Squaring configuration in Figure 4:

Here the Balance equation will appear as:

$$(A) \times (A) = 5(W)$$

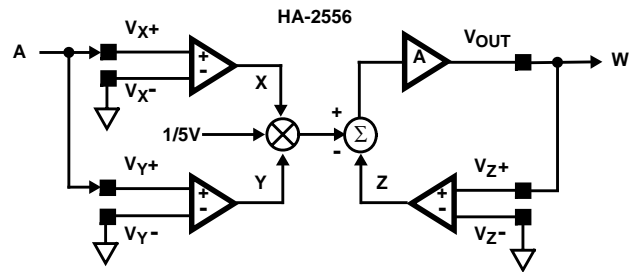


FIGURE 4. SQUARE

Which simplifies to:

$$W = \frac{A^2}{5}$$

The last basic configuration is the Square Root as shown in Figure 5. Here feedback is provided to both X and Y inputs.

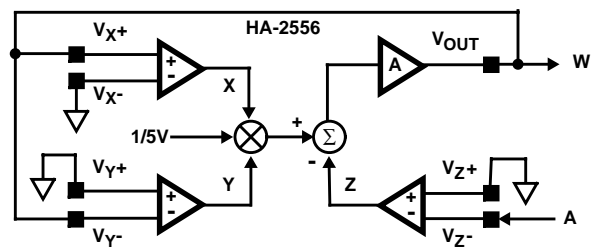


FIGURE 5. SQUARE ROOT (FOR A > 0)

The Balance equation takes the form:

$$(W) \times (-W) = 5(-A)$$

Which equates to:

$$W = \sqrt{5A}$$

The four basic configurations (Multiply, Divide, Square and Square Root) as well as variations of these basic circuits have many uses.

**Frequency Doubler**

For example, if A Cos(ωτ) is substituted for signal A in the Square function, then it becomes a Frequency Doubler and the equation takes the form:

$$(A \text{Cos}(\omega\tau)) \times (A \text{Cos}(\omega\tau)) = 5(W)$$

And using some trigonometric identities gives the result:

$$W = \frac{A^2}{10} (1 + \text{Cos}(2\omega\tau))$$

## Square Root

The Square Root function can serve as a precision/wide bandwidth compander for audio or video applications. A compander improves the Signal to Noise Ratio for your system by amplifying low level signals while attenuating or compressing large signals (refer to Figure 17;  $X^{0.5}$  curve). This provides for better low level signal immunity to noise during transmission. On the receiving end the original signal may be reconstructed with the standard Square function.

## Communications

The Multiplier configuration has applications in AM Signal Generation, Synchronous AM Detection and Phase Detection to mention a few. These circuit configurations are shown in Figures 6, 7 and 8. The HA-2556 is particularly useful in applications that require high speed signals on all inputs.

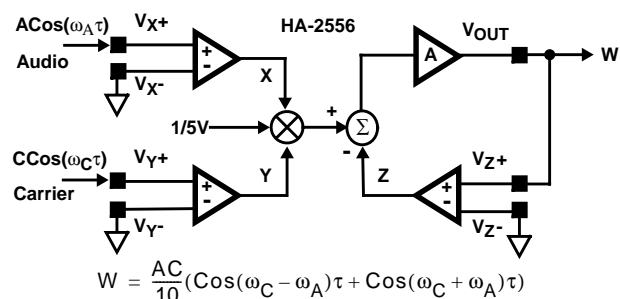
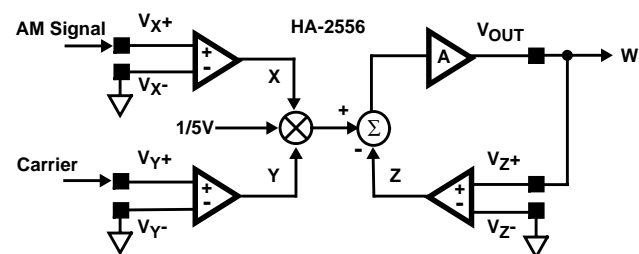
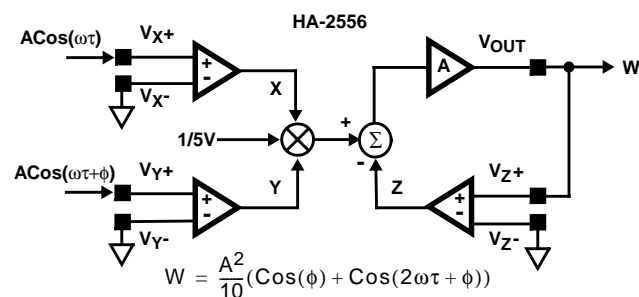


FIGURE 6. AM SIGNAL GENERATION



LIKE THE FREQUENCY DOUBLER YOU GET AUDIO CENTERED AT DC AND 2FC.

FIGURE 7. SYNCHRONOUS AM DETECTION



DC COMPONENT IS PROPORTIONAL TO COS(phi)

FIGURE 8. PHASE DETECTION

Each input X, Y and Z has similar wide bandwidth and input characteristics. This is unlike earlier products where one

input was dedicated to a slow moving control function as is required for Automatic Gain Control. The HA-2556 is versatile enough for both.

Although the X and Y inputs have similar AC characteristics, they are not the same. The designer should consider input parameters such as small signal bandwidth, AC feedthrough and 0.1dB gain flatness to get the most performance from the HA-2556. The Y channel is the faster of the two inputs with a small signal bandwidth of typically 57MHz versus 52MHz for the X channel. Therefore in AM Signal Generation, the best performance will be obtained with the Carrier applied to the Y channel and the modulation signal (lower frequency) applied to the X channel.

## Scale Factor Control

The HA-2556 is able to operate over a wide supply voltage range  $\pm 5V$  to  $\pm 17.5V$ . The  $\pm 5V$  range is particularly useful in video applications. At  $\pm 5V$  the input voltage range is reduced to  $\pm 1.4V$ . The output cannot reach its full scale value with this restricted input, so it may become necessary to modify the scale factor. Adjusting the scale factor may also be useful when the input signal itself is restricted to a small portion of the full scale level. Here we can make use of the high gain output amplifier by adding external gain resistors. Generating the maximum output possible for a given input signal will improve the Signal to Noise Ratio and Dynamic Range of the system. For example, let's assume that the input signals are  $1V_{PEAK}$  each. Then the maximum output for the HA-2556 will be  $200mV$ .  $(1V \times 1V)/(5V) = 200mV$ . It would be nice to have the output at the same full scale as our input, so let's add a gain of 5 as shown in Figure 9.

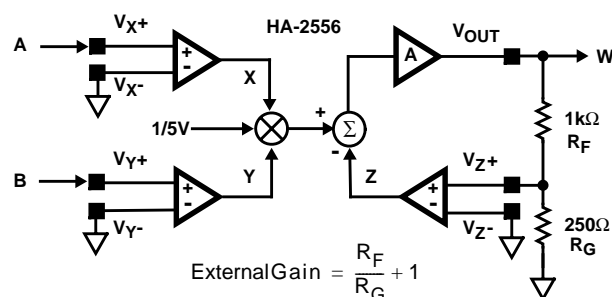


FIGURE 9. EXTERNAL GAIN OF 5

One caveat is that the output bandwidth will also drop by this factor of 5. The multiplier equation then becomes:

$$W = \frac{5AB}{5} = A \times B$$

## Current Output

Another useful circuit for low voltage applications allows the user to convert the voltage output of the HA2556 to an output current. The HA-2557 is a current output version offering 100MHz of bandwidth, but its scale factor is fixed and does not have an output amplifier for additional scaling. Fortunately the circuit in Figure 10 provides an output current that can be

scaled with the value of  $R_{CONVERT}$  and provides an output impedance of typically  $1M\Omega$ . The equation for  $I_{OUT}$  becomes:

$$I_{OUT} = \frac{A \times B}{5} \times \frac{1}{R_{CONVERT}}$$

**Video Fader**

The Video Fader circuit provides a unique function. Here Ch B is applied to the minus Z input in addition to the minus Y input. In this way, the function in Figure 11 is generated.  $V_{MIX}$  will control the percentage of Ch A and Ch B that are mixed together to produce a resulting video image or other signal.

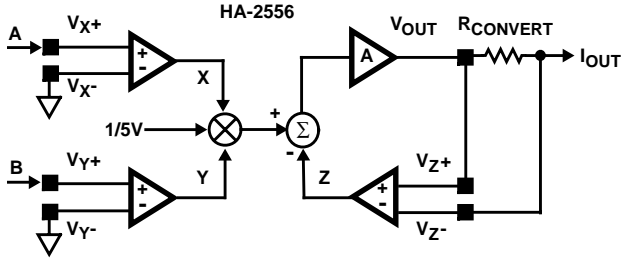


FIGURE 10. CURRENT OUTPUT

The Balance equation looks like:

$$(V_{MIX}) \times (ChA - ChB) = 5(V_{OUT} - ChB)$$

Which simplifies to:

$$V_{OUT} = ChB + \frac{V_{MIX}}{5}(ChA - ChB)$$

When  $V_{MIX}$  is 0V the equation becomes  $V_{OUT} = Ch B$  and Ch A is removed, conversely when  $V_{MIX}$  is 5V the equation becomes  $V_{OUT} = Ch A$  eliminating Ch B. For  $V_{MIX}$  values  $0V \leq V_{MIX} \leq 5V$  the output is a blend of Ch A and Ch B.

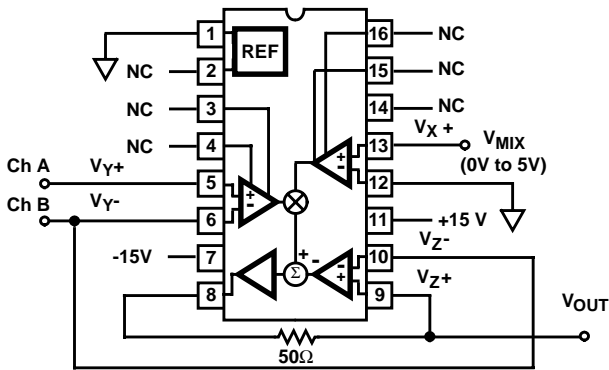


FIGURE 11. VIDEO FADER

**Other Applications**

As shown above, a function may contain several different operators at the same time and use only one HA-2556. Some other possible multi-operator functions are shown in Figures 12, 13 and 14.

Of course the HA-2556 is also well suited to standard multiplier applications such as Automatic Gain Control and Voltage Controlled Amplifier.

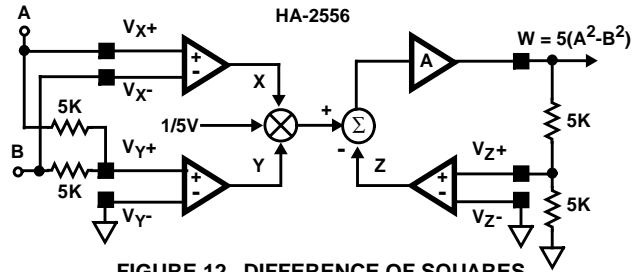
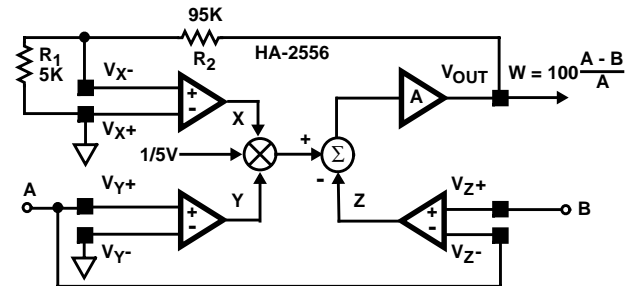


FIGURE 12. DIFFERENCE OF SQUARES



$R_1$  and  $R_2$  set scale to 1V/%, other scale factors possible. For A 0V

FIGURE 13. PERCENTAGE DEVIATION

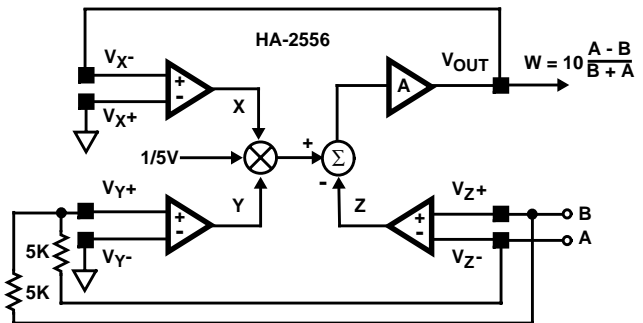


FIGURE 14. DIFFERENCE DIVIDED BY SUM S (For  $A + B \geq 0V$ )

**Automatic Gain Control**

Figure 15 shows the HA-2556 configured in an Automatic Gain Control or AGC application. The HA-5127 low noise amplifier provides the gain control signal to the X input. This control signal sets the peak output voltage of the multiplier to match the preset reference level. The feedback network around the HA-5127 provides a response time adjustment. High frequency changes in the peak are rejected as noise or the desired signal to be transmitted. These signals do not indicate a change in the average peak value and therefore no gain adjustment is needed. Lower frequency changes in the peak value are given a gain of -1 for feedback to the control input. At DC the circuit is an integrator automatically compensating for Offset and other constant error terms.

This multiplier has the advantage over other AGC circuits, in that the signal bandwidth is not affected by the control signal gain adjustment.

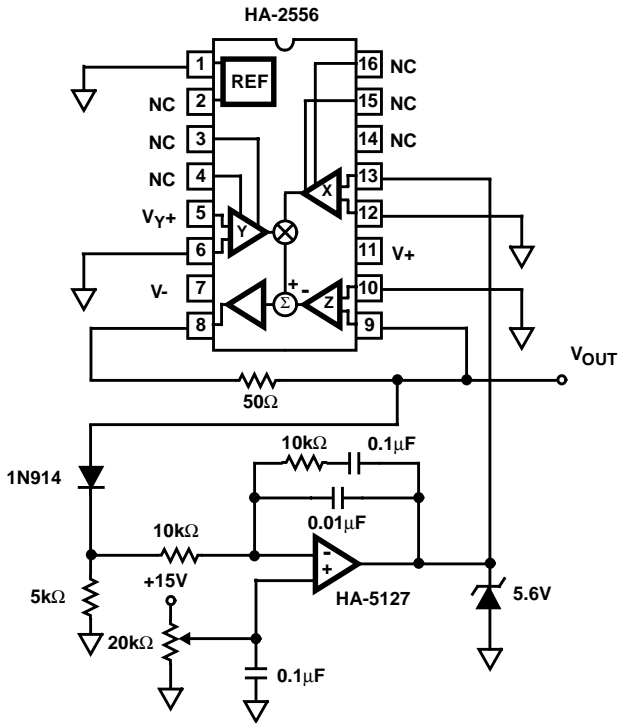


FIGURE 15. AUTOMATIC GAIN CONTROL

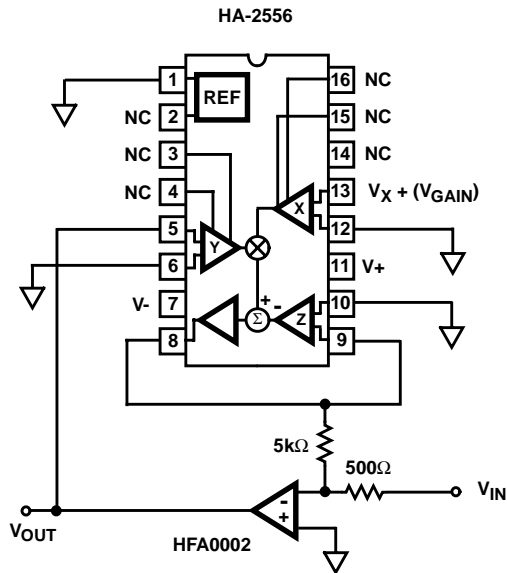


FIGURE 16. VOLTAGE CONTROLLED AMPLIFIER

### Voltage Controlled Amplifier

A wide range of gain adjustment is available with the Voltage Controlled Amplifier configuration shown in Figure 16. Here the gain of the HFA0002 can be swept from 20V/V to a gain of almost 1000V/V with a DC voltage from 0V to 5V.

### Wave Shaping Circuits

Wave shaping or curve fitting is another class of application for the analog multiplier. For example, where a nonlinear sensor requires corrective curve fitting to improve linearity the HA-2556 can provide nonintegral powers in the range 1 to 2 or nonintegral roots in the range 0.5 to 1.0 (refer to References). This effect is displayed in Figure 17.

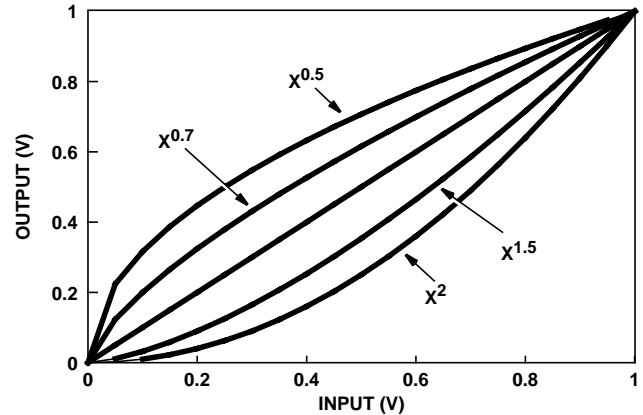


FIGURE 17. EFFECT OF NONINTEGRAL POWERS / ROOTS

A multiplier can't do nonintegral roots "exactly", but it can yield a close approximation. We can approximate nonintegral roots with equations of the form:

$$V_o = (1 - \alpha)V_{IN}^2 + \alpha V_{IN}$$

$$V_o = (1 - \alpha)V_{IN}^{1/2} + \alpha V_{IN}$$

Figure 18 compares the function  $V_{OUT} = V_{IN}^{0.7}$  to the approximation  $V_{OUT} = 0.5V_{IN}^{0.5} + 0.5V_{IN}$ .

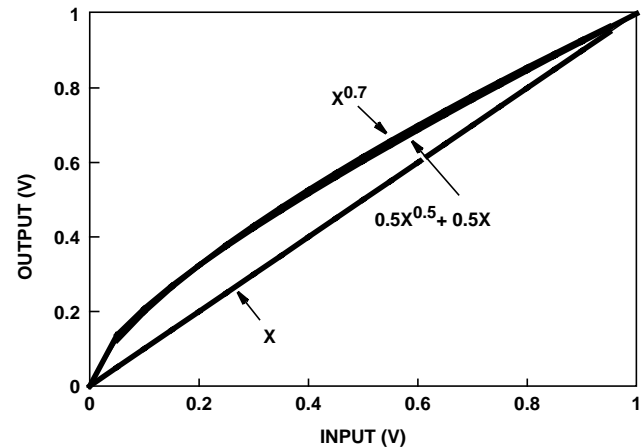
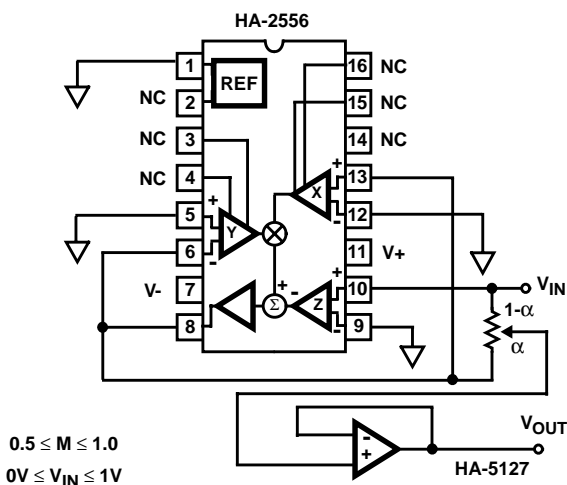


FIGURE 18. COMPARE APPROXIMATION TO NONINTEGRAL ROOT

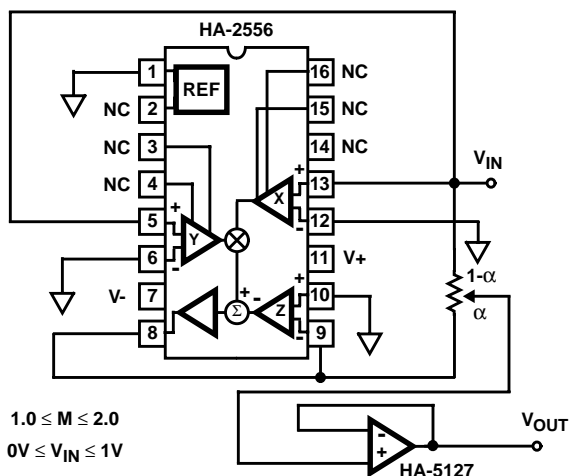
This function can be easily built using an HA-2556 and a potentiometer for easy adjustment as shown in Figures 19 and 20. If a fixed nonintegral power is desired, the circuit shown in Figure 21 eliminates the need for the output buffer amp. These circuits approximate the function  $V_{IN}^M$  where M is the desired nonintegral power or root.





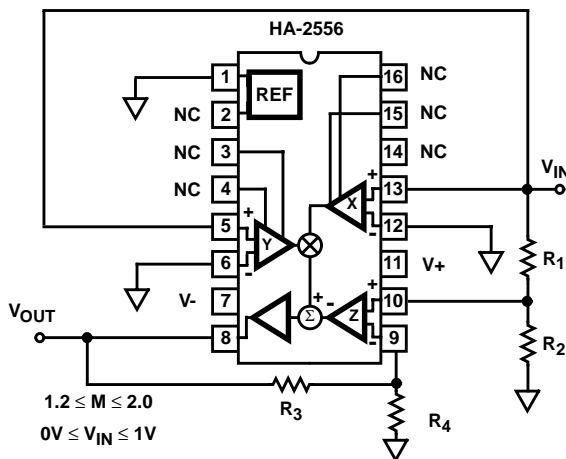
$0.5 \leq M \leq 1.0$   
 $0V \leq V_{IN} \leq 1V$

FIGURE 19. NONINTEGRAL ROOTS - ADJUSTABLE



$1.0 \leq M \leq 2.0$   
 $0V \leq V_{IN} \leq 1V$

FIGURE 20. NONINTEGRAL POWERS - ADJUSTABLE



$1.2 \leq M \leq 2.0$   
 $0V \leq V_{IN} \leq 1V$

FIGURE 21. NONINTEGRAL POWERS - FIXED

$$V_{OUT} = \frac{1}{5} \left( \frac{R_3}{R_4} + 1 \right) V_{IN}^2 + \left( \frac{R_3}{R_4} + 1 \right) \left( \frac{R_2}{R_1 + R_2} \right) V_{IN}$$

Setting:

$$1 - \alpha = \frac{1}{5} \left( \frac{R_3}{R_4} + 1 \right) \quad \alpha = \left( \frac{R_3}{R_4} + 1 \right) \left( \frac{R_2}{R_1 + R_2} \right)$$

Values for  $\alpha$  to give a desired M root or power are as follows:

ROOTS - FIGURE 19		POWERS - FIGURE 20	
M	$\alpha$	M	$\alpha$
0.5	0	1.0	1
0.6	$\approx 0.25$	1.2	$\approx 0.75$
0.7	$\approx 0.50$	1.4	$\approx 0.5$
0.8	$\approx 0.70$	1.6	$\approx 0.3$
0.9	$\approx 0.85$	1.8	$\approx 0.15$
1.0	1	2.0	0

### Sine Function Generators

Similar functions can be formulated to approximate a SINE function converter as shown in Figure 22. With a linearly changing (0V to 5V) input the output will follow 0 degrees to 90 degrees of a sine function (0V to 5V) output. This configuration is theoretically capable of  $\pm 2.1\%$  maximum error to full scale.

By adding a second HA-2556 to the circuit an improved fit may be achieved with a theoretical maximum error of  $\pm 0.5\%$  as shown in Figure 23. Figure 23 has the added benefit that it will work for positive and negative input signals. This makes a convenient triangle ( $\pm 5V$  input) to sine wave ( $\pm 5V$  output) converter.

### References

- [1] Pacifico Cofrancesco, "RF Mixers and Modulators made with a Monolithic Four-Quadrant Multiplier" Microwave Journal, December 1991 pg. 58 - 70.
- [2] Richard Goller, "IC Generates Nonintegral Roots" Electronic Design, December 3, 1992.

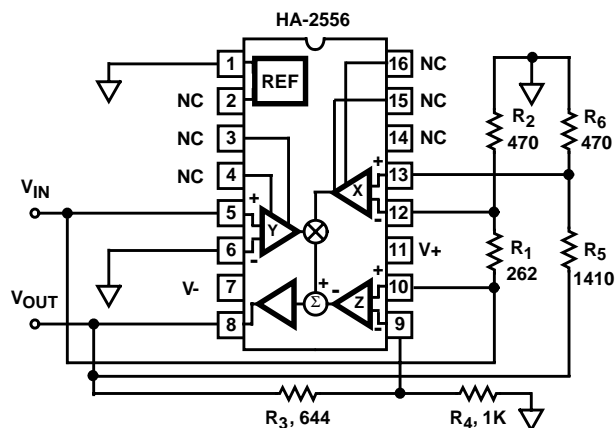


FIGURE 22. SINE-FUNCTION GENERATOR

$$V_{OUT} = V_{IN} \frac{(1 - 0.1284V_{IN})}{(0.6082 - 0.05V_{IN})} \approx 5 \sin\left(\frac{\pi}{2} \cdot \frac{V_{IN}}{5}\right)$$

for:  $0V \leq V_{IN} \leq 5V$  Max Theoretical Error = 2.1%FS  
 where:

$$0.6082 = \frac{R_4}{R_3 + R_4}; \quad 5(0.1284) = \frac{R_2}{R_1 + R_2}$$

$$5(0.05) = \frac{R_6}{R_5 + R_6}$$

$$V_{OUT} = \frac{5V_{IN} - 0.05494V_{IN}^3}{3.18167 + 0.0177919V_{IN}^2} \approx 5 \sin\left(\frac{\pi}{2} \cdot \frac{V_{IN}}{5}\right)$$

for:  $-5V \leq V_{IN} \leq 5V$  Max Theoretical Error = 0.5%FS

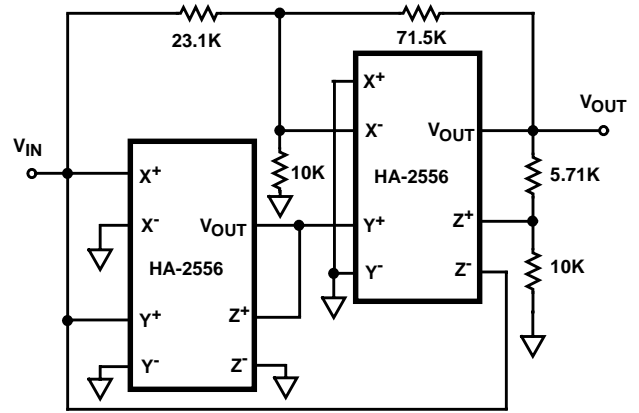


FIGURE 23. BIPOLAR SINE-FUNCTION GENERATOR

**Typical Performance Curves**

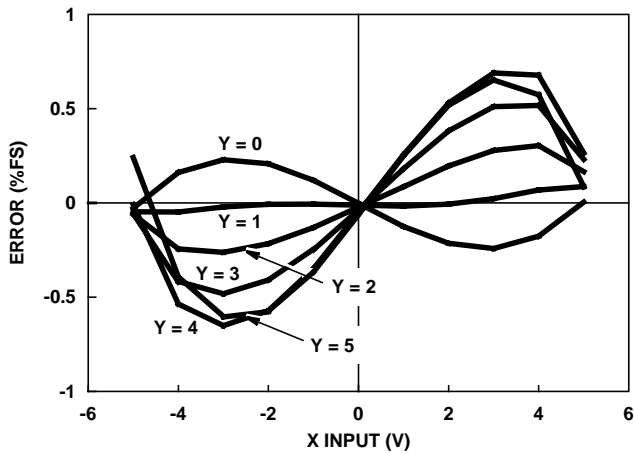


FIGURE 24. X CHANNEL MULTIPLIER ERROR

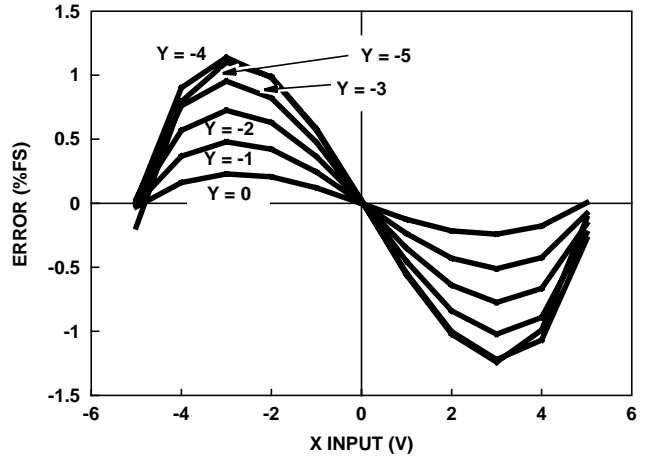


FIGURE 25. X CHANNEL MULTIPLIER ERROR

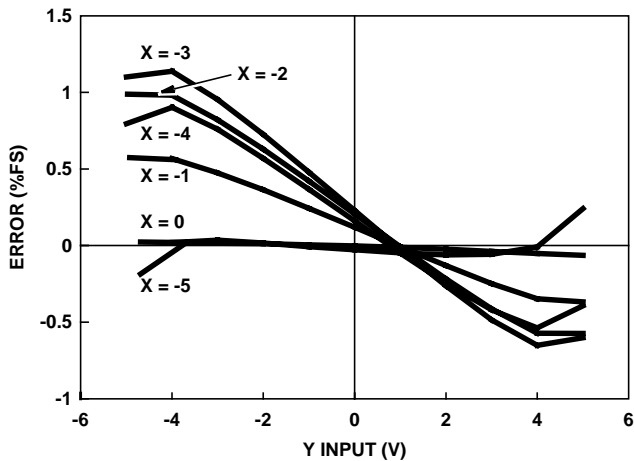


FIGURE 26. Y CHANNEL MULTIPLIER ERROR

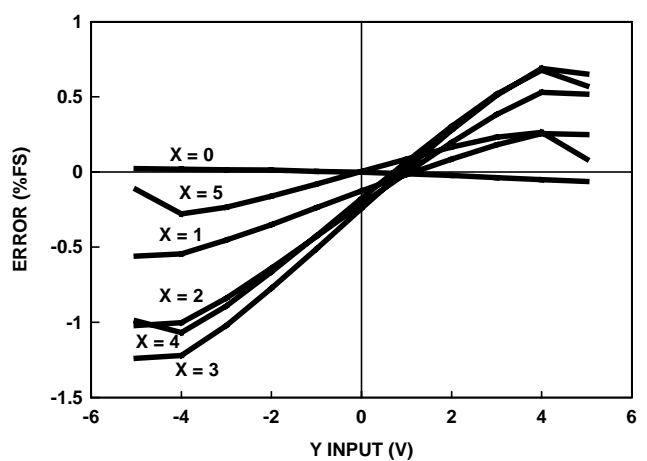


FIGURE 27. Y CHANNEL MULTIPLIER ERROR

Typical Performance Curves (Continued)

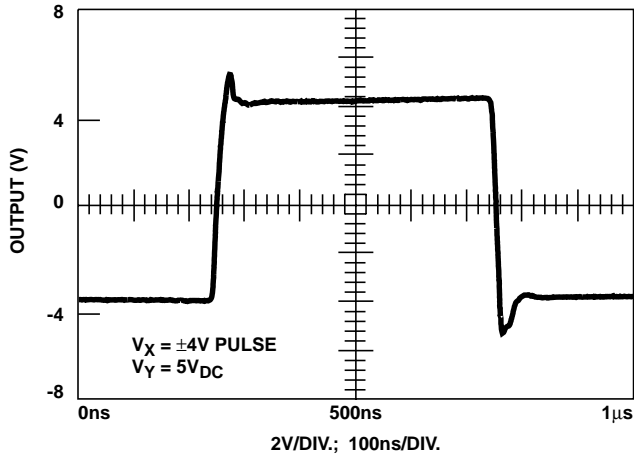


FIGURE 28. LARGE SIGNAL RESPONSE

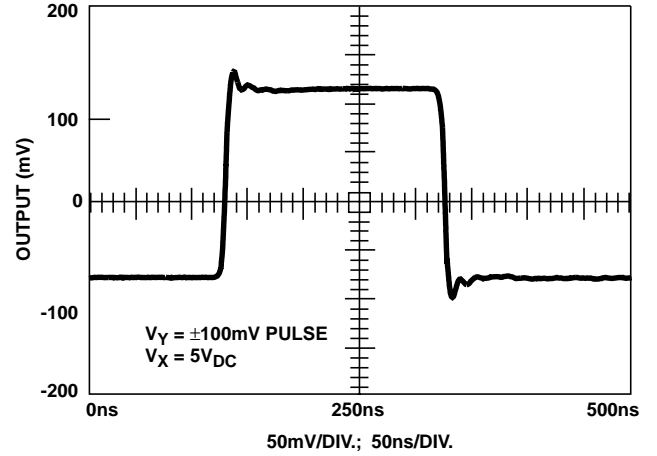


FIGURE 29. SMALL SIGNAL RESPONSE

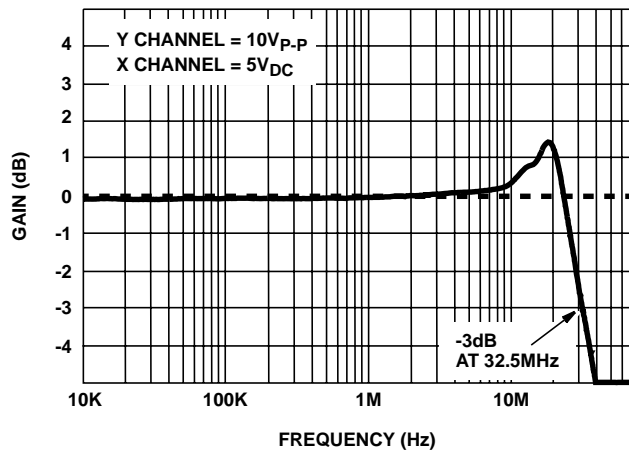


FIGURE 30. Y CHANNEL FULL POWER BANDWIDTH

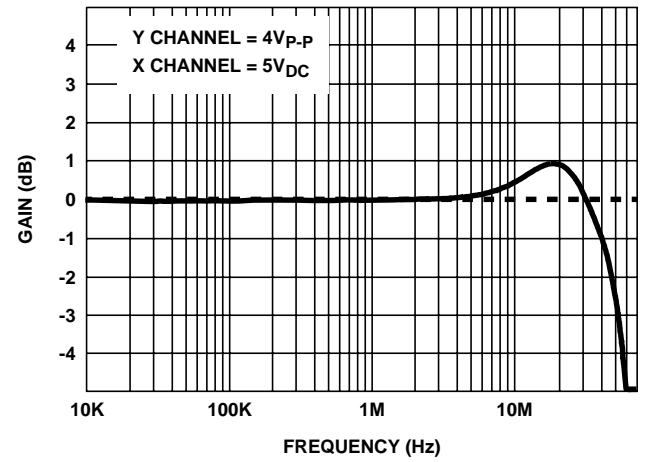


FIGURE 31. Y CHANNEL FULL POWER BANDWIDTH

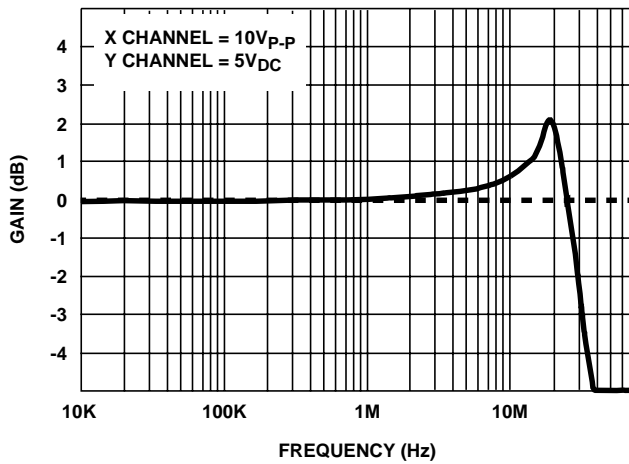


FIGURE 32. X CHANNEL FULL POWER BANDWIDTH

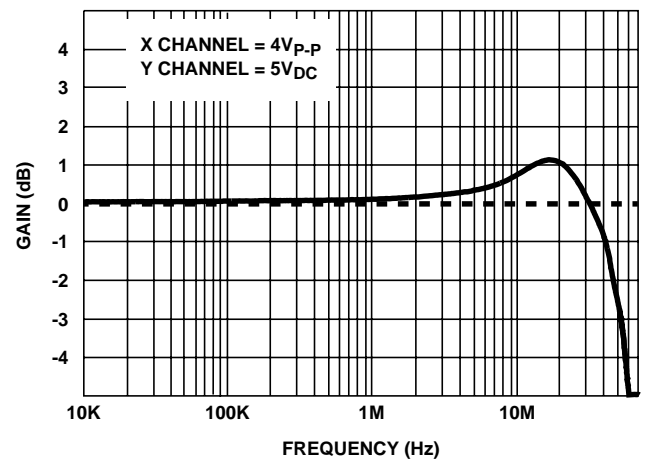


FIGURE 33. X CHANNEL FULL POWER BANDWIDTH

Typical Performance Curves (Continued)

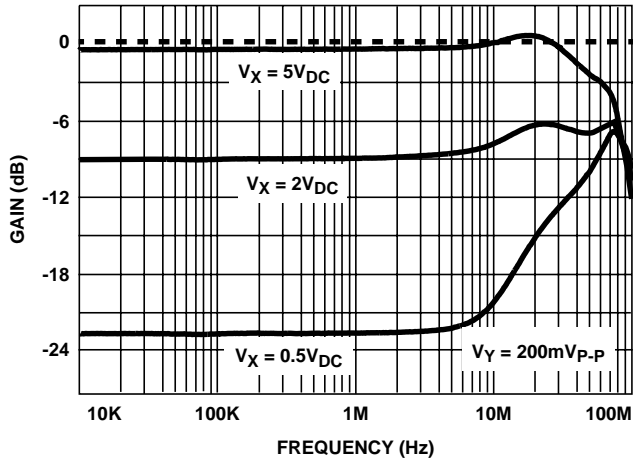


FIGURE 34. Y CHANNEL BANDWIDTH vs X CHANNEL

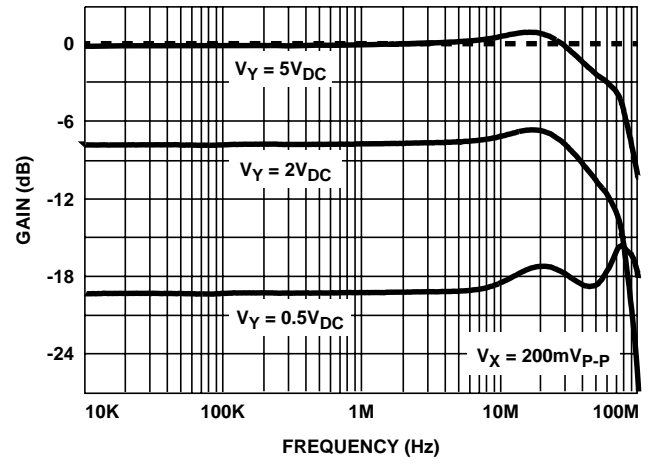


FIGURE 35. X CHANNEL BANDWIDTH vs Y CHANNEL

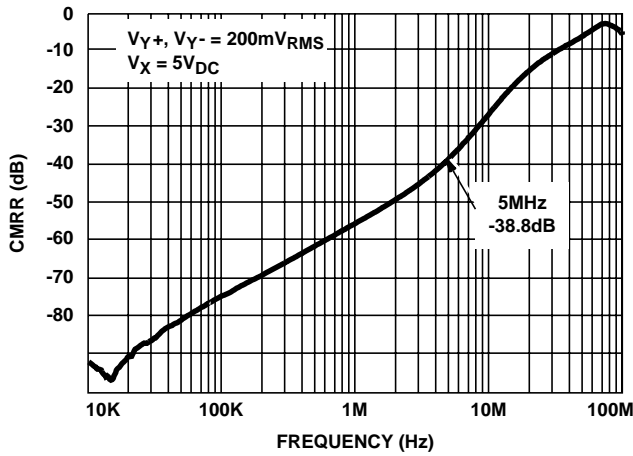


FIGURE 36. Y CHANNEL CMRR vs FREQUENCY

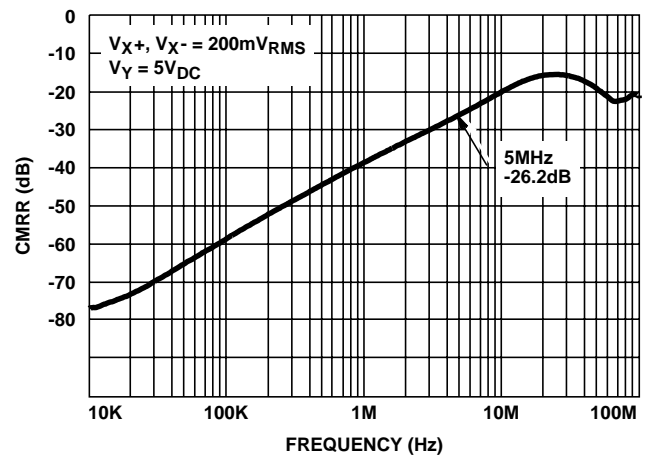


FIGURE 37. X CHANNEL CMRR vs FREQUENCY

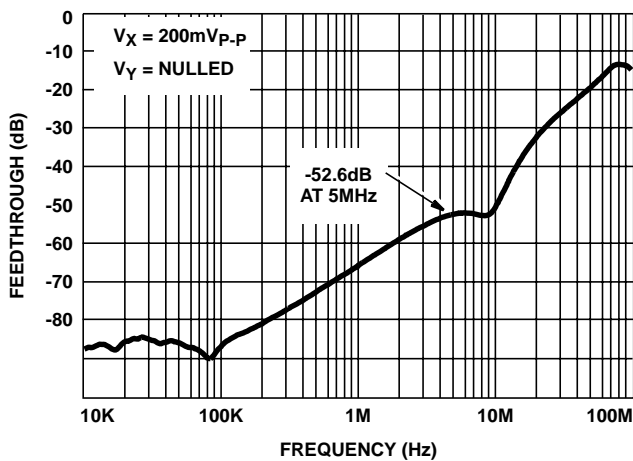


FIGURE 38. FEEDTHROUGH vs FREQUENCY

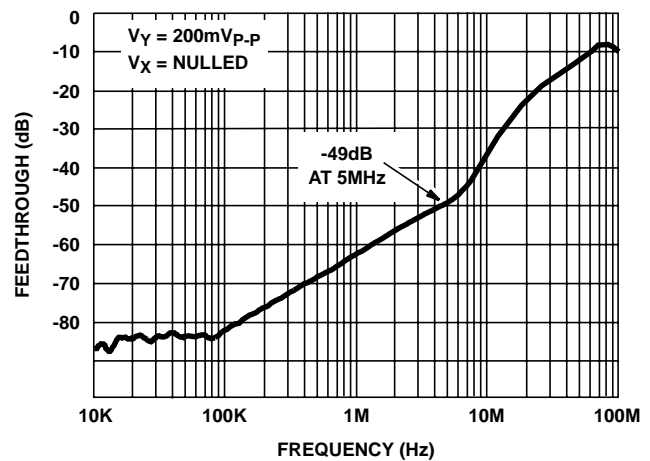


FIGURE 39. FEEDTHROUGH vs FREQUENCY

Typical Performance Curves (Continued)

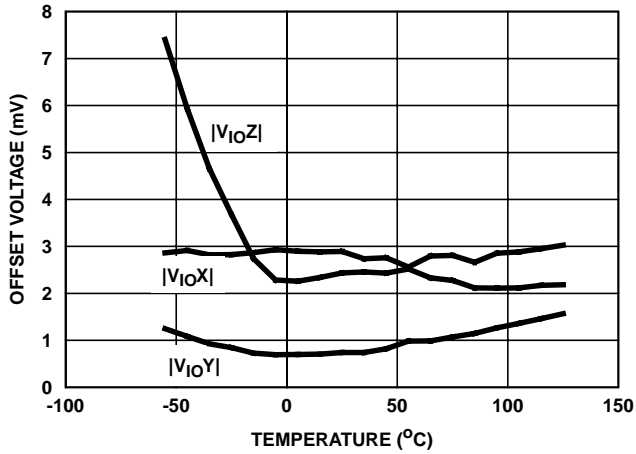


FIGURE 40. OFFSET VOLTAGE vs TEMPERATURE

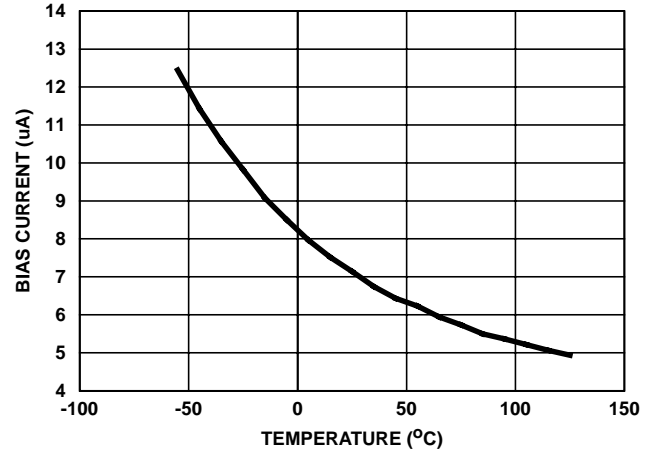


FIGURE 41. INPUT BIAS CURRENT ( $V_X$ ,  $V_Y$ ,  $V_Z$ ) vs TEMPERATURE

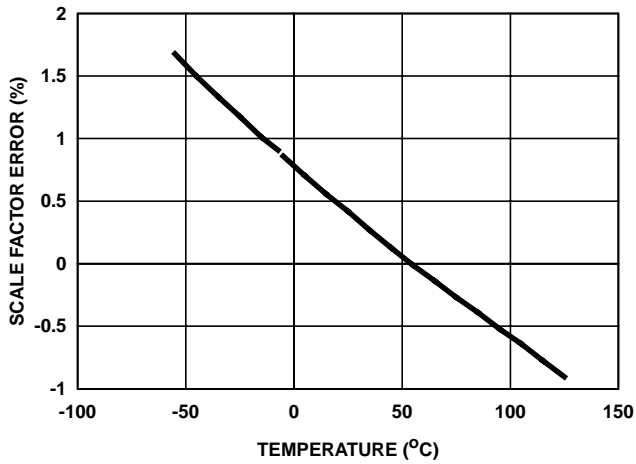


FIGURE 42. SCALE FACTOR ERROR vs TEMPERATURE

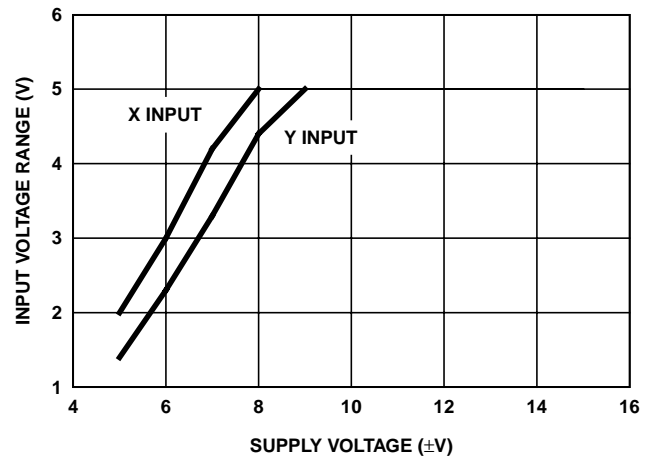


FIGURE 43. INPUT VOLTAGE RANGE vs SUPPLY VOLTAGE

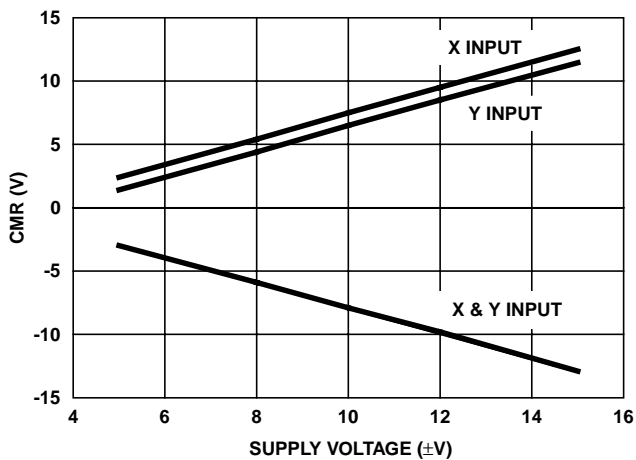


FIGURE 44. INPUT COMMON MODE RANGE vs SUPPLY VOLTAGE

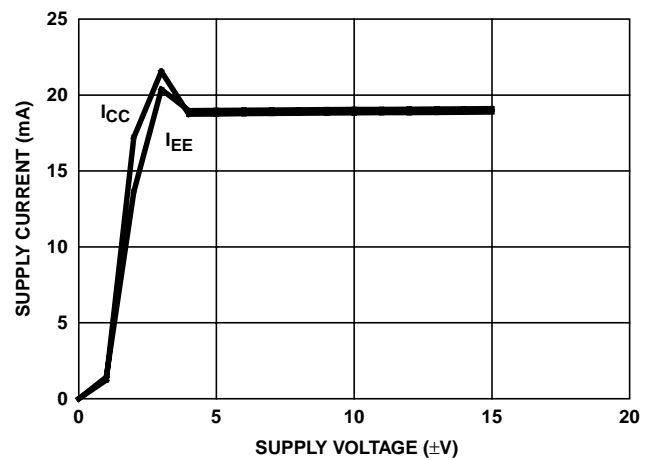


FIGURE 45. SUPPLY CURRENT vs SUPPLY VOLTAGE

Typical Performance Curves (Continued)

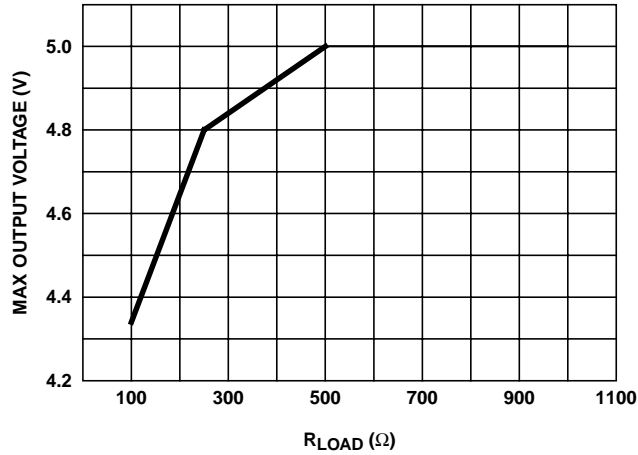


FIGURE 46. OUTPUT VOLTAGE vs RLOAD

Die Characteristics

DIE DIMENSIONS:

71 mils x 100 mils x 19 mils

METALLIZATION:

Type: Al, 1% Cu  
 Thickness: 16kÅ ±2kÅ

PASSIVATION:

Type: Nitride (Si<sub>3</sub>N<sub>4</sub>) over Silox (SiO<sub>2</sub>, 5% Phos)  
 Silox Thickness: 12kÅ ±2kÅ  
 Nitride Thickness: 3.5kÅ ±2kÅ

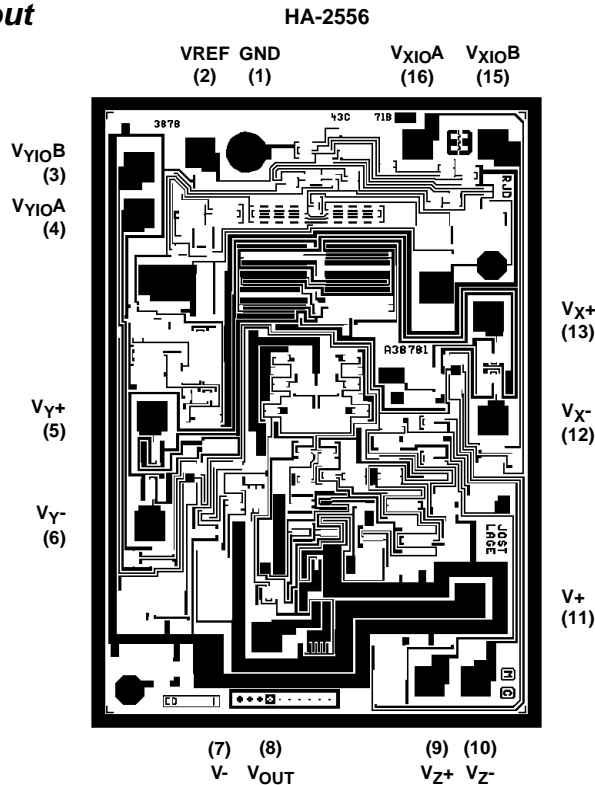
TRANSISTOR COUNT:

84

SUBSTRATE POTENTIAL:

V-

Metallization Mask Layout



All Intersil semiconductor products are manufactured, assembled and tested under **ISO9000** quality systems certification.

*Intersil semiconductor products are sold by description only. Intersil Corporation reserves the right to make changes in circuit design and/or specifications at any time without notice. Accordingly, the reader is cautioned to verify that data sheets are current before placing orders. Information furnished by Intersil is believed to be accurate and reliable. However, no responsibility is assumed by Intersil or its subsidiaries for its use; nor for any infringements of patents or other rights of third parties which may result from its use. No license is granted by implication or otherwise under any patent or patent rights of Intersil or its subsidiaries.*

For information regarding Intersil Corporation and its products, see web site **www.intersil.com**

### **Sales Office Headquarters**

#### **NORTH AMERICA**

Intersil Corporation  
P. O. Box 883, Mail Stop 53-204  
Melbourne, FL 32902  
TEL: (321) 724-7000  
FAX: (321) 724-7240

#### **EUROPE**

Intersil SA  
Mercure Center  
100, Rue de la Fusee  
1130 Brussels, Belgium  
TEL: (32) 2.724.2111  
FAX: (32) 2.724.22.05

#### **ASIA**

Intersil (Taiwan) Ltd.  
7F-6, No. 101 Fu Hsing North Road  
Taipei, Taiwan  
Republic of China  
TEL: (886) 2 2716 9310  
FAX: (886) 2 2715 3029