

**PLEASE CHECK WWW.MOLEX.COM FOR LATEST PART INFORMATION**

**Part Number:** [0948301101](#)  
**Status:** **Active**  
**Description:** Metal Dome for Keypad (dia. 6 4 legs on strip)

**Documents:**

[Drawing \(PDF\)](#) [RoHS Certificate of Compliance \(PDF\)](#)  
[Product Specification PS-94830-001 \(PDF\)](#)

**General**

Product Family	Accessories
Series	<a href="#">94830</a>
Comments	Low Forces
Component Type	Metal Dome
Product Name	N/A

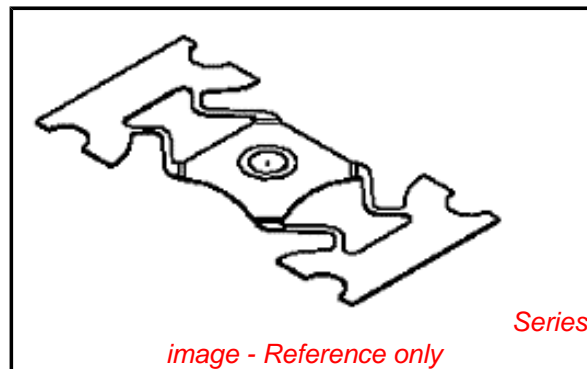
**Physical**

Circuits (Loaded)	1
Gender	N/A
Material - Metal	Stainless Steel
Packaging Type	Reel
Temperature Range - Operating	-40°C to +105°C

**Material Info**

**Reference - Drawing Numbers**

Product Specification	PS-94830-001
Sales Drawing	SD-94830-001, SD-94830-002



**EU RoHS**

**ELV and RoHS  
Compliant**  
**REACH SVHC**  
 Not Reviewed  
**Halogen-Free  
Status**

**China RoHS**



**Not Reviewed**

**Need more information on product  
environmental compliance?**

Email [productcompliance@molex.com](mailto:productcompliance@molex.com)  
 For a multiple part number RoHS Certificate of  
 Compliance, [click here](#)

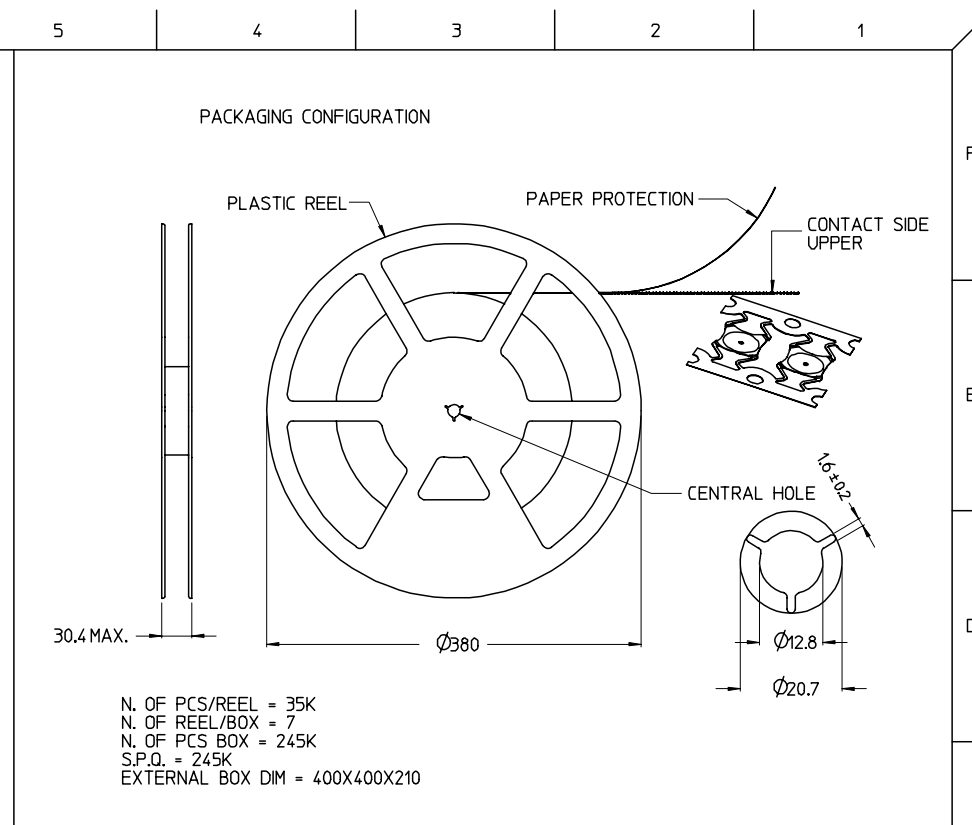
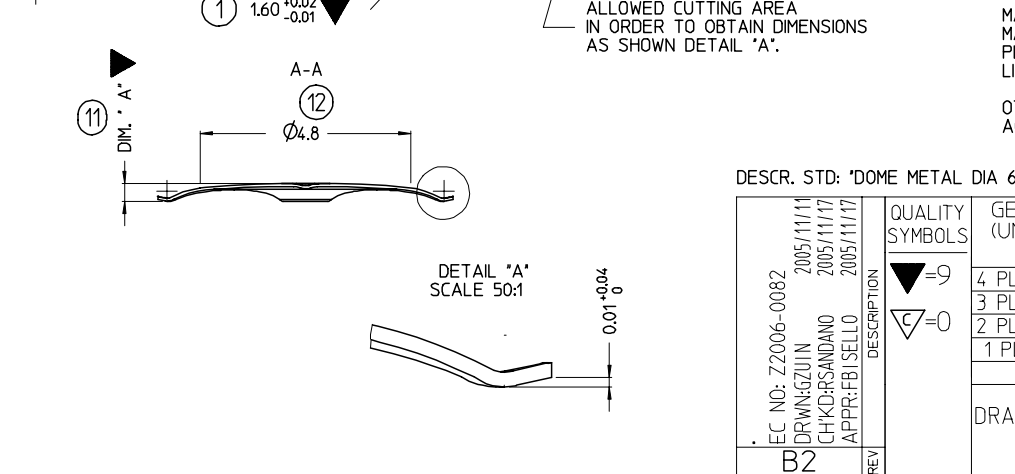
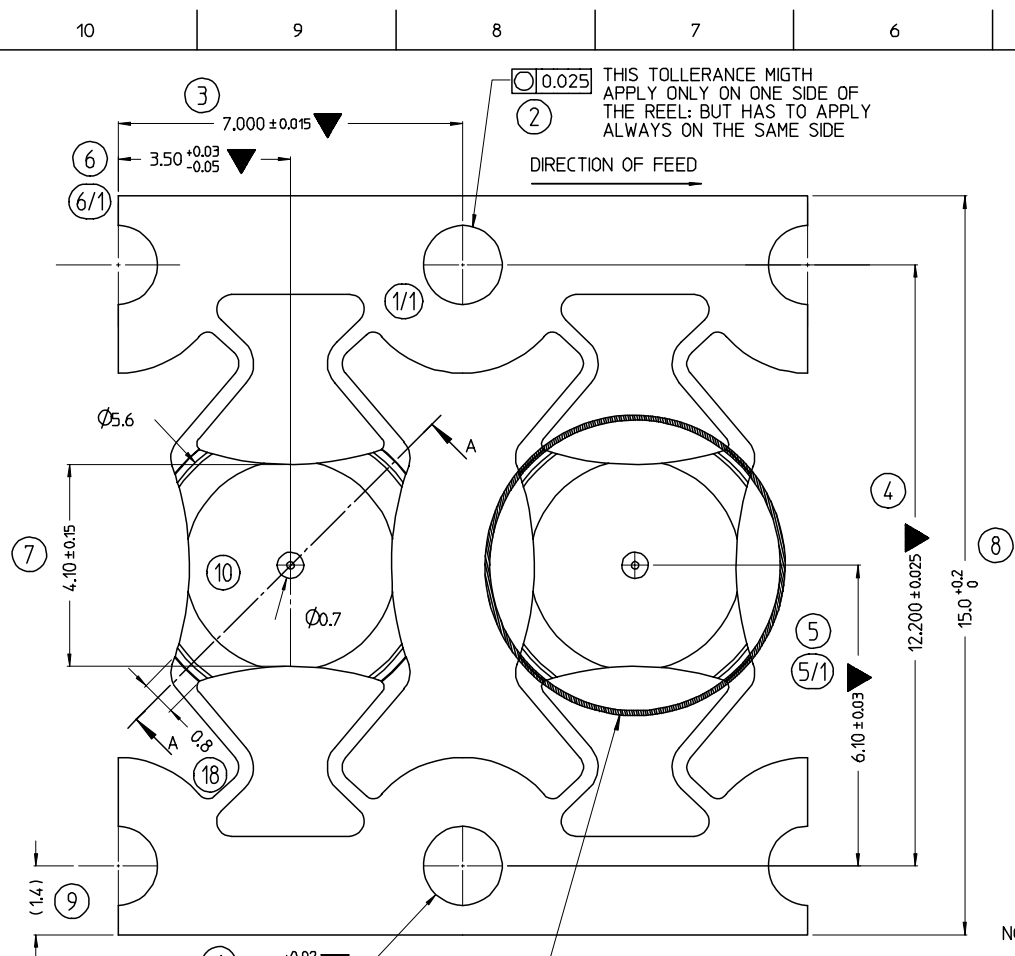
Please visit the [Contact Us](#) section for any  
 non-product compliance questions.

**Search Parts in this Series**

94830Series

**Use With**

Keypad



N. OF PCS/REEL = 35K  
 N. OF REEL/BOX = 7  
 N. OF PCS BOX = 245K  
 S.P.Q. = 245K  
 EXTERNAL BOX DIM = 400X400X210

NOTES:

MATERIAL - X12CrNi17 7  
 MATERIAL THICKNESS 0.06mm  
 PLATING - Ni  
 LIFE - OVER 300K ACTUATIONS  
 OTHER PRODUCT CHARACTERISTICS  
 ACCORDING TO PS-94830-001

MTL NO	TRIP FORCE [N]	RELEASE FORCE [N]	TRAVEL [mm]	CLICK RATIO	DIM "A" [mm]
94830-1001	1.8±0.25	0.8±0.25	0.32±0.05	55%	0.40
94830-1101	1.4±0.20	0.6±0.20	0.29±0.05	55%	0.38

DESCR. STD: "DOME METAL DIA 6 FOUR LEGS ON STRIP"

EC NO: Z2006-0082 2005/11/11 DRWN:GZUIN CHKD:RSANDANO APPR:FBISELLO 2005/11/17 2005/11/17	QUALITY SYMBOLS ▽=9 ▽=0	GENERAL TOLERANCES (UNLESS SPECIFIED)		DIMENSION STYLE MM ONLY		SCALE 10:1	DESIGN UNITS METRIC	FIRST ANGLE PROJECTION	
		mm	INCH	DRAWN BY GZUIN	DATE 2001/04/03	TITLE METAL DOME DIA 6, 4 LEG (ON CARRIER STRIP)	MOLEX INCORPORATED		
B2	REV	4 PLACES	± ---	± ---	CHECKED BY GZUIN	DATE 2001/04/03	MOLEX INCORPORATED		
		3 PLACES	± ---	± ---	APPROVED BY RMARTUCCI	DATE 2001/04/03	MOLEX INCORPORATED		
		2 PLACES	± 0.05	± ---	MATERIAL NO. SD-94830-001		DOCUMENT NO. SD-94830-001		SHEET NO. 1 OF 1
		1 PLACE	± 0.1	± ---	DRAFT WHERE APPLICABLE MUST REMAIN WITHIN DIMENSIONS		THIS DRAWING CONTAINS INFORMATION THAT IS PROPRIETARY TO MOLEX INCORPORATED AND SHOULD NOT BE USED WITHOUT WRITTEN PERMISSION		

NO.	DESCRIPTION	QTY.	UNIT	REMARKS
1	...	...	...	...
2	...	...	...	...
3	...	...	...	...
4	...	...	...	...
5	...	...	...	...
6	...	...	...	...
7	...	...	...	...
8	...	...	...	...
9	...	...	...	...
10	...	...	...	...

1. ...  
 2. ...  
 3. ...  
 4. ...  
 5. ...  
 6. ...  
 7. ...  
 8. ...  
 9. ...  
 10. ...

1. ...  
 2. ...  
 3. ...  
 4. ...  
 5. ...  
 6. ...  
 7. ...  
 8. ...  
 9. ...  
 10. ...

