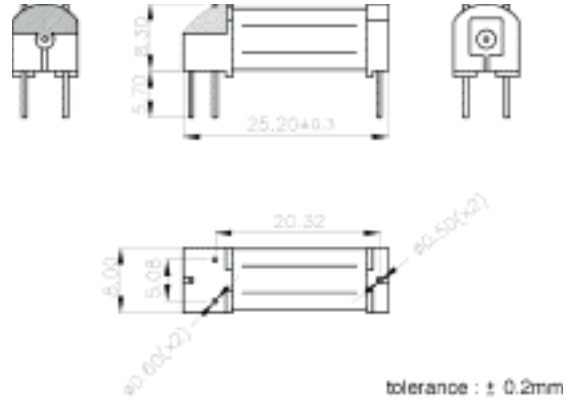


Outside Dimension:Unit (mm)



Absolute Maximum Ratings

(AT=20°C)

COIL RATINGS	Rating	Unit
Coil resistance	2080	Ω ($\pm 10\%$)
Nominal coil voltage	24	VDC
Maximun Continuous voltae	38.4	VDC
Must operate	16.8	VDC
Must release	2.4	VDC
Rated current	11.5	mA

ELECTRONCAL CHARACTERISTICS	Rating	Unit
Contact resistance	150	m Ω (max)
Operate time	1.0	ms (max)
Bounce time	0.5	ms (max)
Release time	0.5	ms (max)
Insulation resistance (100 VDC open contact)	10^9	Ω (min)
(between coil & contact 500VDC)	10^8	Ω (min)
Power	10	VA (max)
Switching voltage	100	VDC (max)
Switching current	0.5	A (max)
Carry current	1.0	A (max)
Breakdown voltage (across open contact)	200	VDC (1sec)
(between coil & contact)	3000	VDC (1sec)
Life expectancy (6V, 10mA)	10^7	
Temperature Range	-30 to 60	°C
Humidity Range	-45 to 85%	RH.
Shock Endurance	100	G (min)
Shock Error Operation	13	G (min)
Vibration Endurance	10 to 55	Hz Double Amplitude 1.5mm
Vibration Error Operation	10 to 55	Hz Double Amplitude 1.5mm
Minimun permissible load		1VDC, 1mA