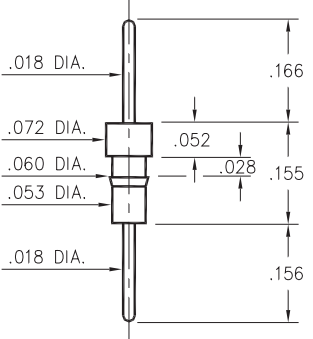


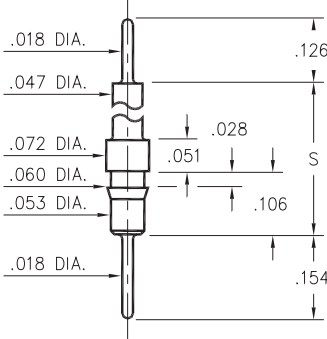
0504/0505



Basic Part Number	Pin Material
0504-0	Ph Br. 544
0505-0	Brass 360

050X-0-00-XX-00-00-03-0
Press-fit in .057 mounting hole

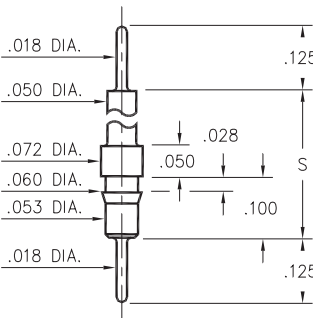
5510/5511



Basic Part Number	Standoff Height S
5510-0	.331
5511-0	.606

551X-0-00-XX-00-00-03-0
Press-fit in .057 mounting hole

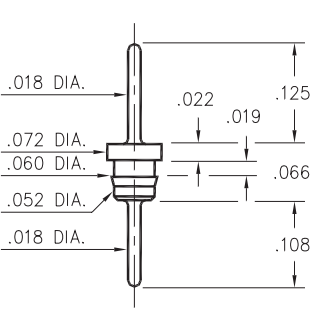
4259



Basic Part Number	Standoff Height S
4259-1	.210
4259-2	.335
4259-3	.585
4259-4	.835

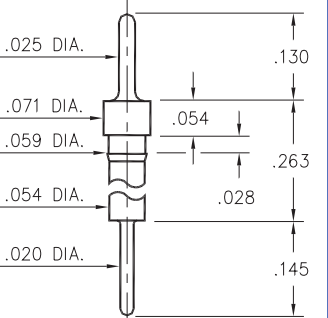
4259-X-00-XX-00-00-03-0
Press-fit in .057 mounting hole

3516



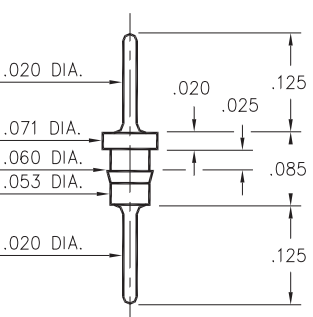
3516-0-00-XX-00-00-03-0
Press-fit in .057 mounting hole

8859



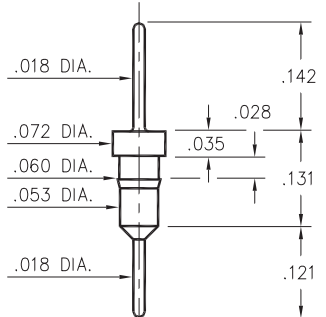
8859-0-00-XX-00-00-03-0
Press-fit in .056 mounting hole

6585



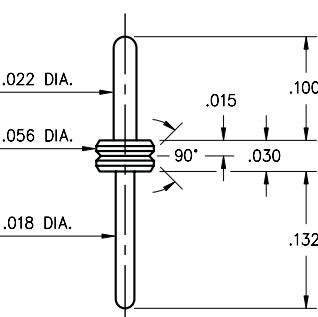
6585-0-00-XX-00-00-03-0
Press-fit in .057 mounting hole
Pin material is Ph Br 544 (B2)

3404



3404-0-00-XX-00-00-03-0
Press-fit in .057 mounting hole

3169



3169-0-00-15-00-00-03-0
V-Groove Header Pin
Also available on Kapton Tape

SPECIFICATIONS

PIN MATERIAL:
Brass Alloy 360, 1/2 Hard
(Except where noted)

DIMENSION IN INCHES
TOLERANCES ON:
LENGTHS: ±.005
DIAMETERS: ±.002
ANGLES: ± 2°

ORDER CODE: XXXX - X - 00 - XX - 00 - 00 - 03 - 0

BASIC PART #

- SPECIFY PIN FINISH:**
- 01 200µ" TIN/LEAD OVER NICKEL
 - 80 200µ" TIN OVER NICKEL
 - 15 10µ" GOLD OVER NICKEL
 - 21 20µ" GOLD OVER NICKEL
 - 34 50µ" GOLD OVER NICKEL

