

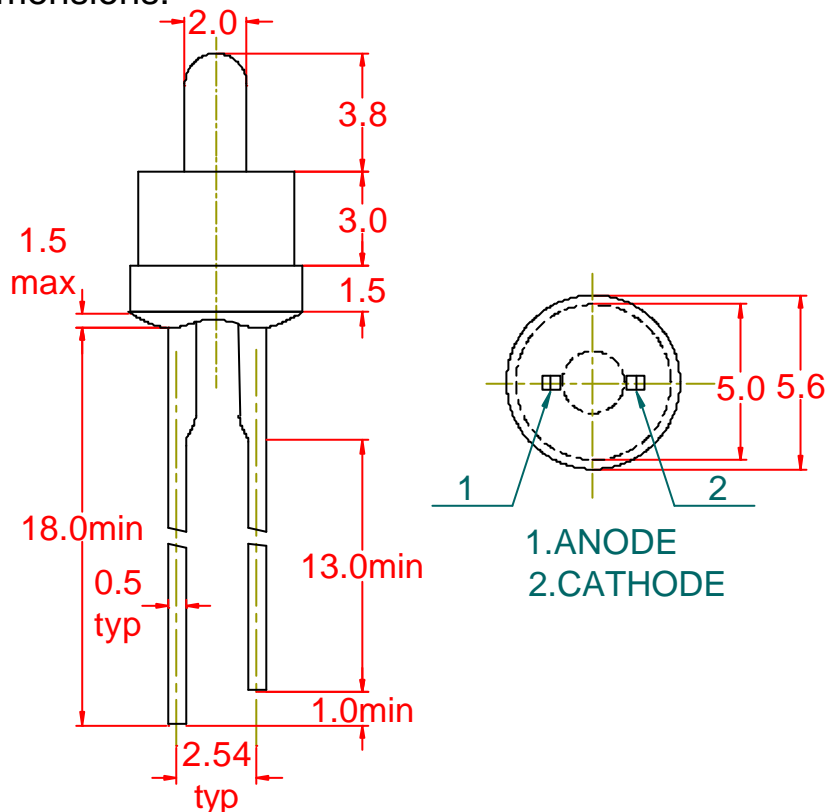
LED DATA SHEET

Part No.	LSR11010		
Emitted Color	High Red	Len's Color	Color Diffused

Features:

2mm Tower resin mold type
General purpose leads
Chip material : GaAlAs

Package Dimensions:



Note:

- 1、 All dimensions are in millimetres (mm)
- 2、 Tolerance is $\pm 0.25\text{mm}$ unless otherwise noted

Part No.	LSR11010	Edition Data: 2002-12-10	Page: 1 of 3
http://www.wenrun.com		Fax:0511-5512860	

Absolute Maximum Rating (Ta=25)

Parameter	Symbol	Max.	Unit
Power Dissipation	P_M	70	Mw
Pulse Forward Current (Duty 1/10 @ 1kHz)	I_{FP}	80	mA
Continuous Forward Current	I_F	25	mA
Reverse Voltage	V_R	6	V
Operating Temperature Range	T_{opr}	-25 ~ 85	
Storage Temperature Range	T_{stg}	-40 ~ 100	
Solder Temperature : 2.0mm From Body For 3 Seconds at 260			

Electrical Optical Characteristics (Ta=25)

Parameter	Symbol	Min.	Typ.	Max.	Unit	Test Condition
Luminous Intensity	I_V	--	6.0	--	mcd	$I_F = 10mA$
Forward Voltage	V_F	--	1.8	2.5	V	$I_F = 20mA$
Reverse Current	I_R	--		50	μA	$V_R = 5V$
Dominant Wavelength	λ_d	--	645	--	nm	$I_F = 20mA$
Peak Emission Wavelength	λ_p	--	655	--	nm	$I_F = 20mA$
Spectral Line Half Width		--	20	--	nm	$I_F = 20mA$
Viewing Angle	$2\theta_{1/2}$	--	70	--	Deg.	$I_F = 20mA$

Note:

- 1、The luminous intensity data and λ_p is survey values with the machine JF- 、JS-2000.
- 2、 $2\theta_{1/2}$ is the clip angle at which the luminous intensity is half the axial luminous intensity.

www.DataSheet4U.com

Typical Characteristic Curves:

