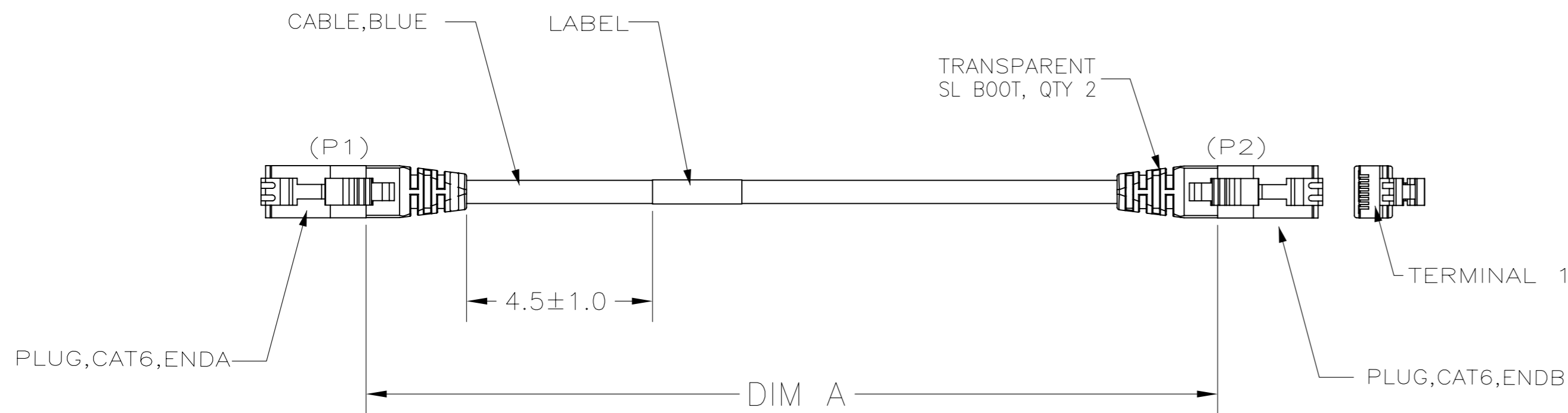
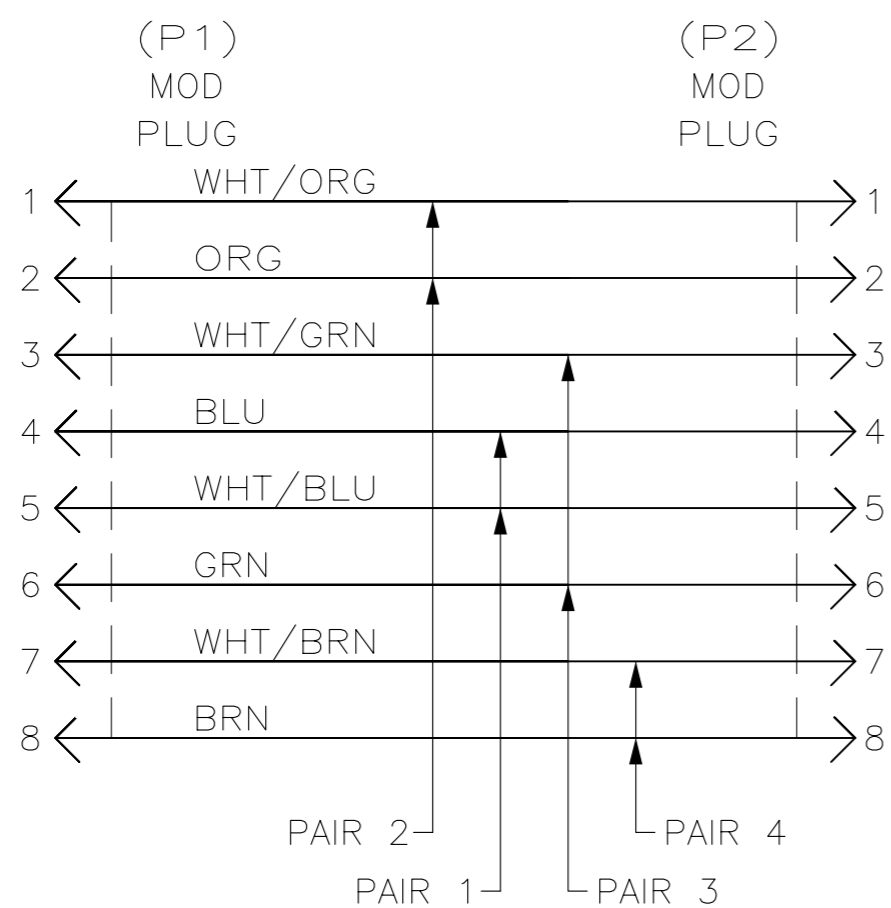


THIS DRAWING IS UNPUBLISHED. RELEASED FOR PUBLICATION
 © COPYRIGHT BY TYCO ELECTRONICS CORPORATION. ALL INTERNATIONAL RIGHTS RESERVED.

LOC	DIST	REVISIONS			
P	LTR	DESCRIPTION	DATE	DWN	APVD
ES	00	C	ECR-08-002705	18FEB09	RC EW



- ONE CABLE ASSEMBLY PACKAGED IN A POLY BAG.
- CABLE: UNSHIELDED, 24AWG, 4 TWISTED PAIRS
7/32 STRANDED CONDUCTORS, 100 OHMS.
- ⚠ DIMENSIONS ARE MAXIMUM UNLESS OTHERWISE SPECIFIED.
- DESIGNATIONS IN PARENTHESES () ARE FOR REFERENCE ONLY.
- ⚠ WIRES TO BE LACED IN MOD PLUG PER COLOR CODE IN WIRING DIAGRAM. FINAL ASSEMBLY WILL BE T568B.



WIRING DIAGRAM ⚠
T568B

9-1859247-9	1200-1206	100
9-1859247-8	1680-1686	140
9-1859247-5	1140-1146	95
9-1859247-0	1080-1086	90
8-1859247-5	1020-1026	85
8-1859247-0	960-966	80
7-1859247-5	900-906	75
7-1859247-0	840-846	70
6-1859247-5	780-786	65
6-1859247-0	720-726	60
5-1859247-5	660-666	55
5-1859247-0	600-606	50
4-1859247-5	540-546	45
4-1859247-0	480-486	40
3-1859247-5	420-426	35
3-1859247-0	360-366	30
2-1859247-5	300-304	25
2-1859247-0	240-244	20
1-1859247-7	204-248	17
1-1859247-5	180-184	15
1-1859247-2	144-148	12
1-1859247-0	120-124	10
1859247-9	108-110	9
1859247-8	96-98	8
1859247-7	84-86	7
1859247-6	72-74	6
1859247-5	60-62	5
1859247-4	48-50	4
1859247-3	36-38	3
1859247-2	24-26	2
1859247-1	12-14	1
PART NO	DIM A	FEET, REF

THIS DRAWING IS A CONTROLLED DOCUMENT.		DWN RICKY CHEN 13APR2007	Tyco Electronics Corporation Shanghai, China	
DIMENSIONS: INCHES		CHK RICKY CHEN 13APR2007	NAME CABLE ASSY, CAT6, MOD PLUG, 8 POSN, BLUE, TRANSPARENT SL BOOT	
TOLERANCES UNLESS OTHERWISE SPECIFIED:		APVD ERIC WANG 13APR2007	PRODUCT SPEC	
0 PLC ± -		APPLICATION SPEC		
1 PLC ± -		SIZE		
2 PLC ± -		CAGE CODE		
3 PLC ± -		DRAWING NO		
4 PLC ± -		RESTRICTED TO		
ANGLES ± -		A2 00779 C=1859247		
FINISH		SCALE		
MATERIAL		SHEET 1 of 1		
WEIGHT		REV C		
CUSTOMER DRAWING				