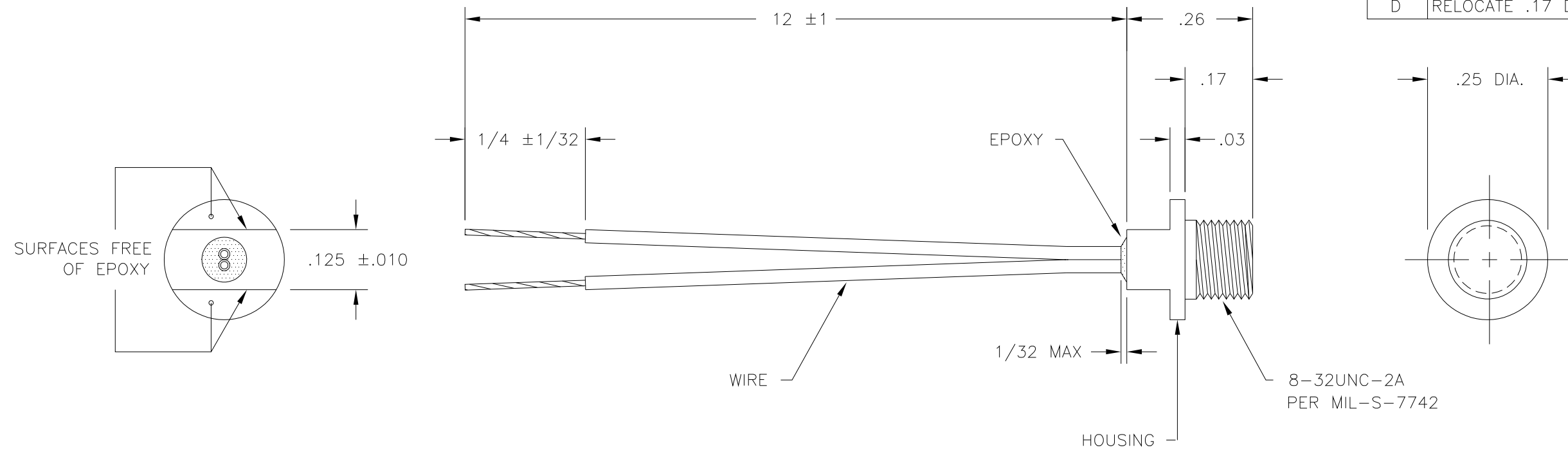


REV.	CHANGE	DATE	APPD.
B	DRAWING MADE PER ECO 8634	—	—
C	RTE SHT REV PER ECO 9730	4.24.96	DL
D	RELOCATE .17 DIM -ECO 10380	9.19.96	



WIRE	30 AWG 7-38 STRANDED SILVER PLATED COPPER BLACK TEFLON INSULATION
HOUSING	303 ST. STEEL
MAXIMUM OPERATING TEMPERATURE	150°C
THERMISTOR CURVE	13
RESISTANCE	15,000 OHMS AT 25°C
TOLERANCE	±.1°C -5°C TO 35°C

<b>TOLERANCES</b> UNLESS OTHERWISE NOTED, ALL DIMENSIONS ARE IN INCHES, AND TOLERANCES ARE AS SHOWN HERE.  FRACTIONS = ±1/64 DECIMALS .XX = .01 .XXX = .005 ANGLES = 0°30'	DRAWN WS	DATE 11AUG95	<b>FENWAL ELECTRONICS, INC.</b> 450 FORTUNE BOULEVARD, MILFORD, MASSACHUSETTS 01757 U.S.A. TELEPHONE (508) 478 - 6000 FAX (508) 473 - 6035			
	CHECKED MUCH	DATE 8.14.95		<b>TITLE</b>  PROBE ASSEMBLY OUTLINE		
	APPROVED DL	DATE 8.14.95				
USED ON	This information is the property of FENWAL ELECTRONICS, INC. It is submitted in confidence, and is not to be disclosed or utilized without written permission.					
SHEET 1	OF 1	DO NOT SCALE DRAWING	SCALE 4:1	SIZE B	DRAWING NUMBER 526-33AB20-153	REV. D