

This document was generated on 03/28/2010

**PLEASE CHECK WWW.MOLEX.COM FOR LATEST PART INFORMATION**

**Part Number:** [0082265503](#)  
**Status:** **Active**  
**Description:** 2.50mm (.098") Pitch Round Conductor Flat Cable - 26 AWG (7 x 34 ) Stranded, Topcoat, 3 Circuits, Reel 30.48m (100.0' ) Length

**Documents:**

[Drawing \(PDF\)](#) [RoHS Certificate of Compliance \(PDF\)](#)

**Agency Certification**

CSA LR61126  
 UL E61522

**General**

Product Family Cable  
 Series [40160](#)  
 Crimp Quality Equipment Yes  
 Geographic Area Asia  
 Product Name Ribbon

**Physical**

Cable Length 30.48m (100.0' )  
 Circuits (Loaded) 3  
 Flammability VW-1  
 Insulation PVC  
 Packaging Type Reel  
 Pitch - Term. Interface (in) 0.098 In  
 Pitch - Term. Interface (mm) 2.50 mm  
 Temperature Range - Operating -20°C to +105°C  
 Wire Size AWG 26  
 Wire/Cable Type (7x34) Stranded, Topcoat

**Electrical**

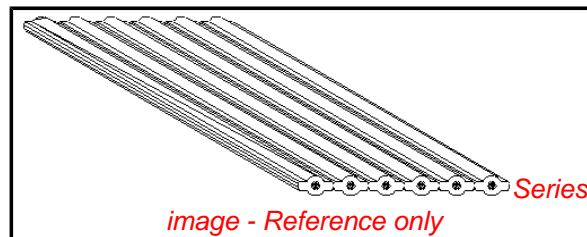
Current - Maximum per Contact N/A  
 Voltage - Maximum 300V

**Material Info**

Old Part Number 40160-03-100B

**Reference - Drawing Numbers**

Sales Drawing SD-40160-001



**EU RoHS**

**ELV and RoHS  
 Compliant  
 REACH SVHC  
 Not Reviewed  
 Halogen-Free  
 Status  
 Not Reviewed**

**China RoHS**



**Need more information on product environmental compliance?**

Email [productcompliance@molex.com](mailto:productcompliance@molex.com)  
 For a multiple part number RoHS Certificate of Compliance, [click here](#)

Please visit the [Contact Us](#) section for any non-product compliance questions.

**Search Parts in this Series**

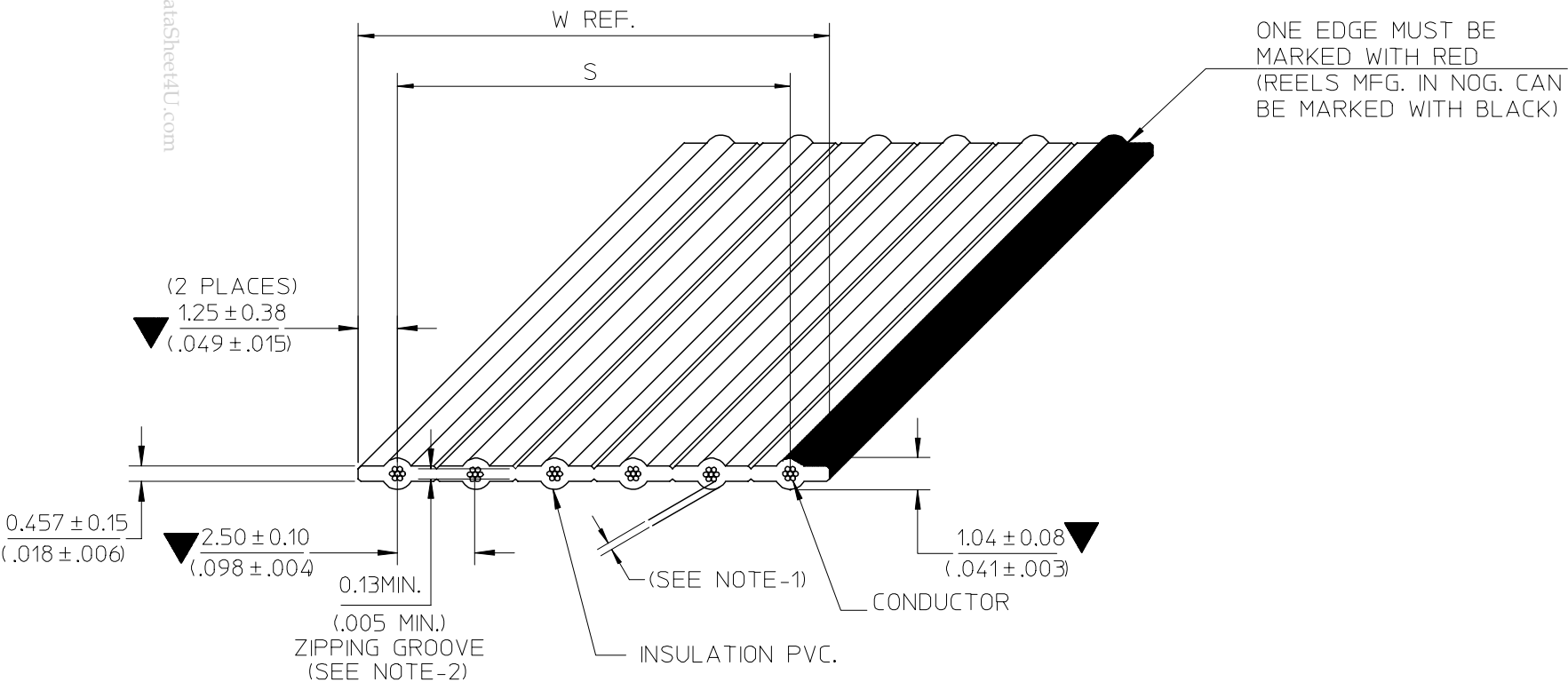
[40160Series](#)

**Use With**

[42219 SPOX™ IDT Receptacle](#)

This document was generated on 03/28/2010

**PLEASE CHECK WWW.MOLEX.COM FOR LATEST PART INFORMATION**



- NOTE :
1. THE CABLE SHALL HAVE A MINIMUM OF 0.178mm. (.007") THICKNESS INSULATION AT ANY POINT
  2. RIP TEST:
    - THE 0.13mm. (.005") ZIPPING GROOVE SHALL BE CAPABLE OF BEING RIPPED BY HAND WITHIN THE RECESS, WITHOUT EXPOSING THE ADJACENT CONDUCTORS
  3. RoHS AND LEAD FREE COMPLIANT
  4. SPECIAL REQUIREMENT: N/A

E-07-0748	B <sub>2</sub> : ADD NON-OPERATING TEMP. B <sub>1</sub> : ADD SOLDERING CONDITION	07/10/02
N/A	NEW RELEASE	06/07/13
EC NO.	DETAIL	DATE

SEE CHANGE DETAIL EC NO: THL2008-0015	DESCRIPTION
DRWN: CPANSAKHOM 2007/11/28	
CHKD: DNARINTARA 2007/11/29	
APPR: SVIRATJAPOL 2007/12/04	
REV	

QUALITY SYMBOLS
▽=3
▽=0

GENERAL TOLERANCES (UNLESS SPECIFIED)	
	mm INCH
4 PLACES	± --- ± ---
3 PLACES	± --- ± ---
2 PLACES	± --- ± ---
1 PLACE	± --- ± ---
ANGULAR ± ---°	
DRAFT WHERE APPLICABLE MUST REMAIN WITHIN DIMENSIONS	

DIMENSION STYLE	
MM/IN	
DRAWN BY	DATE
CPANSAKHOM	2006/07/13
CHECKED BY	DATE
PMEECHAI	2006/07/13
APPROVED BY	DATE
SVIRATJAPOL	2006/07/13
MATERIAL NO.	
SEE CHART	
SIZE	
A/4	

SCALE	DESIGN UNITS	THIRD ANGLE PROJECTION
NTS	INCH	
TITLE		
FCB ROUND CONDUCTOR 2.50MM(.098)CENTERS PVC. 26AWG STR TOPCOATED		
MOLEX INCORPORATED		
MATERIAL NO.	DOCUMENT NO.	SHEET NO.
SEE CHART	SD-40160-001	1 OF 3
THIS DRAWING CONTAINS INFORMATION THAT IS PROPRIETARY TO MOLEX INCORPORATED AND SHOULD NOT BE USED WITHOUT WRITTEN PERMISSION		

SPECIFICATIONS

PHYSICAL

CONDUCTOR SPACING ----- 2.50 (.098")  $\phi$  TO  $\phi$   
 WIRE GAUGE ----- 26 AWG(7/34) STRANDED TOPCOATED  
 INSULATION ----- P.V.C GRAY (LEAD FREE)

AGENCY

U.L. STYLE NO. ----- 2651  
 TEMPERATURE RATING ----- -20°C TO 105°C  
 VOLTAGE RATING ----- 300V.MAX.  
 FLAMMABILITY RATING ----- VW-1

ELECTRICAL

CONDUCTOR RESISTANCE (D.C.) ----- 43 m OHMS/FT. MAX.  
 CHARACTERISTIC IMPEDANCE ----- 145 OHMS NOM. (GS)  
 123 OHMS NOM. (GSG)  
 CAPACITANCE ----- 5.6 pF/FT. NOM. (GS)  
 10.3 pF/FT. NOM. (GSG)  
 PROPAGATION DELAY ----- 1.4 ns/FT. NOM.  
 INSULATION RESISTANCE ----- 10M OHMS (10FT. SAMPLE)  
 DIELECTRIC WITHSTAND VOLTAGE ----- 2000 VRMS/MINUTE

GENERAL

$\triangle B_1$  NON-OPERATING TEMPERATURE ----- -20°C TO 105°C  
 FAULTS AND/OR SPLICES ----- 1/REEL MAX. 100<sup>+3</sup><sub>0</sub> FT. (30.48<sup>+0.914</sup> M.)/REEL  
 20FT. (6.096M.) MIN. LENGTH

$\triangle B_2$  SOLDERING CONDITION

SOLDER TEMPERATURE ----- 260°C. MAX.  
 SOLDERING TIME ----- 3 SECOND, MAX.  
 INSULATION SHRINK ----- 2MM. NOM


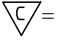
SEE CHANGE DETAIL EC NO: THL2008-0015 DRAWN: CPANSAKHOM 2007/11/28 CHKD: DNARINTARA 2007/11/29 APPR: SVIRATJAPOL 2007/12/04	DESCRIPTION REV	QUALITY SYMBOLS	GENERAL TOLERANCES (UNLESS SPECIFIED)		DIMENSION STYLE		SCALE	DESIGN UNITS	THIRD ANGLE PROJECTION		
		 =  =		mm	INCH	MM/IN		NTS	INCH		
			4 PLACES	±---	±---	DRAWN BY	DATE	TITLE			
		3 PLACES	±---	±---	CPANSAKHOM	2006/07/13	FCB ROUND CONDUCTOR 2.50MM(.098)CENTERS PVC. 26AWG STR TOPCOATED				
		2 PLACES	±---	±---	CHECKED BY	DATE	MOLEX MOLEX INCORPORATED				
1 PLACE	±---	±---	PMEECHA I	2006/07/13							
			ANGULAR ±---°		APPROVED BY	DATE	DOCUMENT NO.		SHEET NO.		
			DRAFT WHERE APPLICABLE MUST REMAIN WITHIN DIMENSIONS		SVIRATJAPOL	2006/07/13	SD-40160-001		2 OF 3		
					MATERIAL NO.						
					SEE CHART						
					SIZE	THIS DRAWING CONTAINS INFORMATION THAT IS PROPRIETARY TO MOLEX INCORPORATED AND SHOULD NOT BE USED WITHOUT WRITTEN PERMISSION					

CHART A

DIMENSIONS MM. (INCHES)

ENGINEERING NO.	ORDER NO.	NO. OF CONDUCTOR	DIMENSION S	DIM. W (REF.)
40160-02-100B	82-26-5502	2	2.50±0.10 (.098±.004)	5.00 (.197)
▲ -03- ▲	▲ 03	3	5.00±0.20 (.197±.008)	7.50 (.295)
-04-	04	4	7.50±0.30 (.295±.012)	10.00 (.394)
-05-	05	5	10.00±0.33 (.394±.013)	12.50 (.492)
-06-	06	6	12.50±0.33 (.492±.013)	15.00 (.591)
-07-	07	7	15.00±0.33 (.591±.013)	17.50 (.689)
-08-	08	8	17.50±0.33 (.689±.013)	20.00 (.787)
-09-	09	9	20.00±0.33 (.787±.013)	22.50 (.886)
-10-	10	10	22.50±0.33 (.886±.013)	25.00 (.984)
-11-	11	11	25.00±0.33 (.984±.013)	27.50 (1.083)
-12-	12	12	27.50±0.33 (1.083±.013)	30.00 (1.181)
-13-	13	13	30.00±0.33 (1.181±.013)	32.50 (1.280)
-14-	14	14	32.50±0.33 (1.280±.013)	35.00 (1.378)
-15-	15	15	35.00±0.33 (1.378±.013)	37.50 (1.476)
-16-	16	16	37.50±0.33 (1.476±.013)	40.00 (1.575)
-17-	17	17	40.00±0.33 (1.575±.013)	42.50 (1.673)
-18-	18	18	42.50±0.33 (1.673±.013)	45.00 (1.772)
-19-	19	19	45.00±0.33 (1.772±.013)	47.50 (1.870)
-20-	20	20	47.50±0.33 (1.870±.013)	50.00 (1.969)
-21-	21	21	50.00±0.33 (1.969±.013)	52.50 (2.067)
-22-	22	22	52.50±0.33 (2.067±.013)	55.00 (2.165)
▼ -23- ▼	▼ 23	23	55.00±0.33 (2.165±.013)	57.50 (2.264)
40160-24-100B	82-26-5524	24	57.50±0.33 (2.264±.013)	60.00 (2.362)

ENGINEERING NO.

40160-XX-XXXX

A B C D

A : CABLE 2.50mm. (.098") CENTERS 26AWG STRANDED TOPCOATED

B : CONDUCTOR SIZE ( AVAILABILITY 2 THROUGH 24 )

C : CABLE LENGTH 100FT. (30.48M.)

D : A = INCHES

B = FEET

SEE CHANGE DETAIL EC NO: THL2008-0015 DRWN: CPANSAKHOM 2007/11/28 CHKD: DNARINTARA 2007/11/29 APPR: SVIRATJAPOL 2007/12/04	DESCRIPTION ▲ = ▼ =	QUALITY SYMBOLS		GENERAL TOLERANCES (UNLESS SPECIFIED)		DIMENSION STYLE		SCALE	DESIGN UNITS	THIRD ANGLE PROJECTION	
				mm	INCH	MM/IN		NTS	INCH		
		4 PLACES	± ---	± ---	DRAWN BY		DATE	TITLE			
		3 PLACES	± ---	± ---	CPANSAKHOM		2006/07/13	FCB ROUND CONDUCTOR 2.50MM(.098)CENTERS PVC. 26AWG STR TOPCOATED			
		2 PLACES	± ---	± ---	CHECKED BY		DATE	MOLEX MOLEX INCORPORATED			
1 PLACE	± ---	± ---	PMEECHA I		2006/07/13						
ANGULAR ± ---°		APPROVED BY		DATE	MATERIAL NO.		DOCUMENT NO.	SHEET NO.			
		SVIRATJAPOL		2006/07/13	SEE CHART		SD-40160-001	3 OF 3			
DRAFT WHERE APPLICABLE MUST REMAIN WITHIN DIMENSIONS		THIS DRAWING CONTAINS INFORMATION THAT IS PROPRIETARY TO MOLEX INCORPORATED AND SHOULD NOT BE USED WITHOUT WRITTEN PERMISSION									