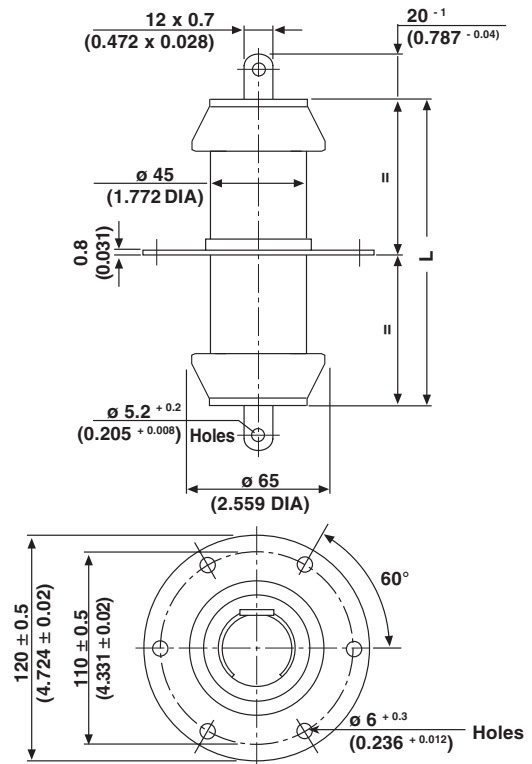
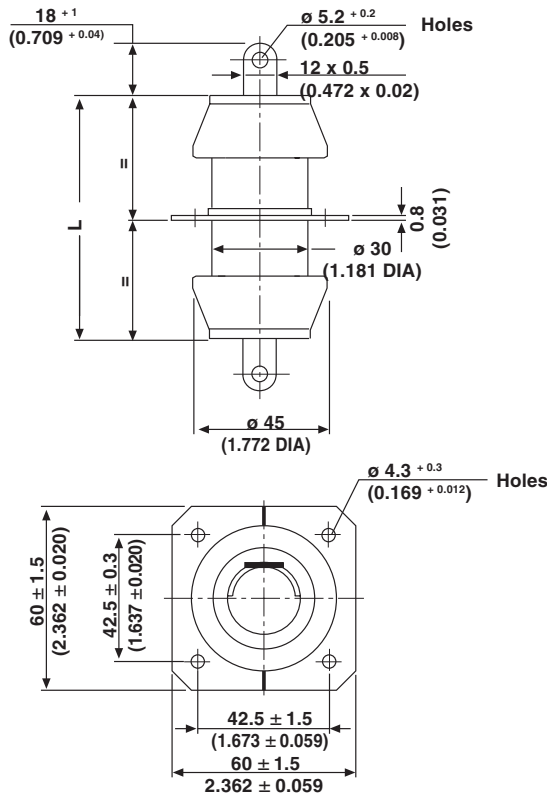


Feed-Through Capacitors, Tag Mounting

DF 030070 7 KV_P
DF 030090 7 KV_P
DF 030110 7 KV_P

DWA 045120 8 KV_P to 16 KV_P
DWA 045150 8 KV_P to 16 KV_P



• Dimensions in millimeters (inches)

MODEL	DF 030070	DF 030090	DF 030110
Length L	70 (2.756)	93 (3.661)	110 (4.331)

MODEL	DWA 045120	DWA 045150
Length L	120 (4.724)	150 (5.906)

MATERIAL:

Capacitor elements made from Class 1 ceramic dielectric with noble metal electrodes.
 Connection Terminals: Copper/brass, silver plated.

MARKING:

Type designator, Capacitance value and tolerance, Rated voltage (peak value), Production date code, Ceramic material code, DRALORIC Logo.

FINISH:

Noble metal electrodes completely lacquered. Contoured rims glazed.

ORDERING INFORMATION				
DF 030090	7 KV _P	1200 pF	± 10 %	R 85
MODEL	RATED VOLTAGE	CAPACITANCE VALUE	TOLERANCE	CERAMIC



www.DataSheet4U.com

DF 030070				
CERAMIC	CAPACITANCE VALUE [pF]	RATED VOLTAGE [KV _P]	RATED POWER* [KVA _r]	RATED CURRENT [A _{RMS}]
R 85	400	7	16	8
	600			
	800			

DF 030090				
CERAMIC	CAPACITANCE VALUE [pF]	RATED VOLTAGE [KV _P]	RATED POWER* [KVA _r]	RATED CURRENT [A _{RMS}]
R 85	700	7	20	8
	1000			
	1200			

DF 030110				
CERAMIC	CAPACITANCE VALUE [pF]	RATED VOLTAGE [KV _P]	RATED POWER* [KVA _r]	RATED CURRENT [A _{RMS}]
R 85	800	7	25	8
	1200			
	1500			

Feed-through current DC or low frequency RMS current (< 20 KHz): 8 A

DF 045120				
CERAMIC	CAPACITANCE VALUE [pF]	RATED VOLTAGE [KV _P]	RATED POWER* [KVA _r]	RATED CURRENT [A _{RMS}]
R 42	500	13	25	10
R 85	1200			
		2500	8	

DWA 045150				
CERAMIC	CAPACITANCE VALUE [pF]	RATED VOLTAGE [KV _P]	RATED POWER* [KVA _r]	RATED CURRENT [A _{RMS}]
R 42	500	16	30	10
R 85	1200			

Feed-through current DC or low frequency RMS current (< 20 KHz): 10 A

CAPACITANCE TOLERANCES: ± 20 %, ± 10 %, ± 5 %

For higher feed-through current, an additional feed-through conductor must be provided.



Disclaimer

All product specifications and data are subject to change without notice.

Vishay Intertechnology, Inc., its affiliates, agents, and employees, and all persons acting on its or their behalf (collectively, "Vishay"), disclaim any and all liability for any errors, inaccuracies or incompleteness contained herein or in any other disclosure relating to any product.

Vishay disclaims any and all liability arising out of the use or application of any product described herein or of any information provided herein to the maximum extent permitted by law. The product specifications do not expand or otherwise modify Vishay's terms and conditions of purchase, including but not limited to the warranty expressed therein, which apply to these products.

No license, express or implied, by estoppel or otherwise, to any intellectual property rights is granted by this document or by any conduct of Vishay.

The products shown herein are not designed for use in medical, life-saving, or life-sustaining applications unless otherwise expressly indicated. Customers using or selling Vishay products not expressly indicated for use in such applications do so entirely at their own risk and agree to fully indemnify Vishay for any damages arising or resulting from such use or sale. Please contact authorized Vishay personnel to obtain written terms and conditions regarding products designed for such applications.

Product names and markings noted herein may be trademarks of their respective owners.