

PLEASE CHECK WWW.MOLEX.COM FOR LATEST PART INFORMATION

Part Number: [0015040293](#)
Status: **Active**
Description: Universal Polarizing Key, White

Documents:
[Drawing \(PDF\)](#)

[RoHS Certificate of Compliance \(PDF\)](#)

General

Product Family	Accessories
Series	40713
Comments	Delivered on a Carrier With 20 Parts per Strip
Component Type	Polarizing Key
Product Name	MX-50™

Physical

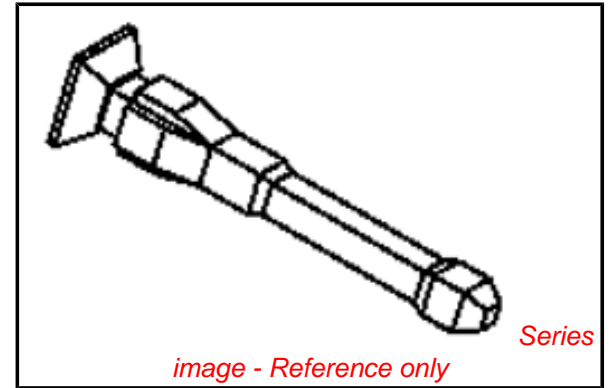
Circuits (Loaded)	1
Lock to Mating Part	No
Packaging Type	Bag

Material Info

Old Part Number	40713-02
-----------------	----------

Reference - Drawing Numbers

Sales Drawing	SD-40713-**
---------------	-------------



EU RoHS

**ELV and RoHS
Compliant**
REACH SVHC
 Not Reviewed
**Halogen-Free
Status**

China RoHS



**Need more information on product
environmental compliance?**

Email productcompliance@molex.com
 For a multiple part number RoHS Certificate of
 Compliance, [click here](#)

Please visit the [Contact Us](#) section for any
 non-product compliance questions.

Search Parts in this Series

[40713Series](#)

Use With

[70066 SL™](#) Crimp Housing, . [70450 SL™](#)
 Crimp Housing. [70400 C-Grid SL™](#) IDT
 Connector Assembly. [70430 C-Grid SL™](#) .
[71850 C-Grid®](#) Receptacle. [71395 C-Grid®](#)
 PCB Connector

13

12

11

10

9

8

7

6

40713

4

3

2

1

J

I

H

G

F

E

D

C

B

A

J

I

H

G

F

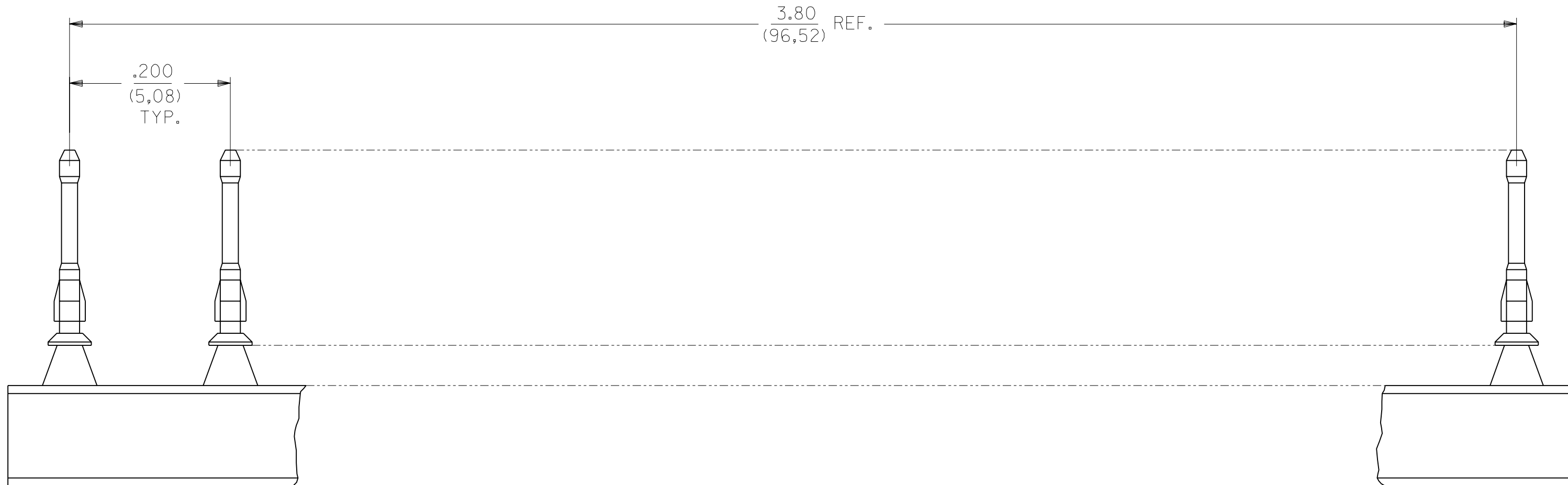
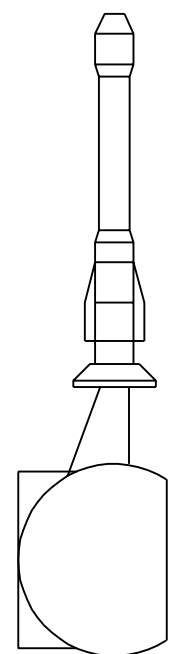
E

D

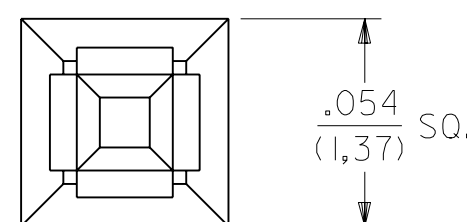
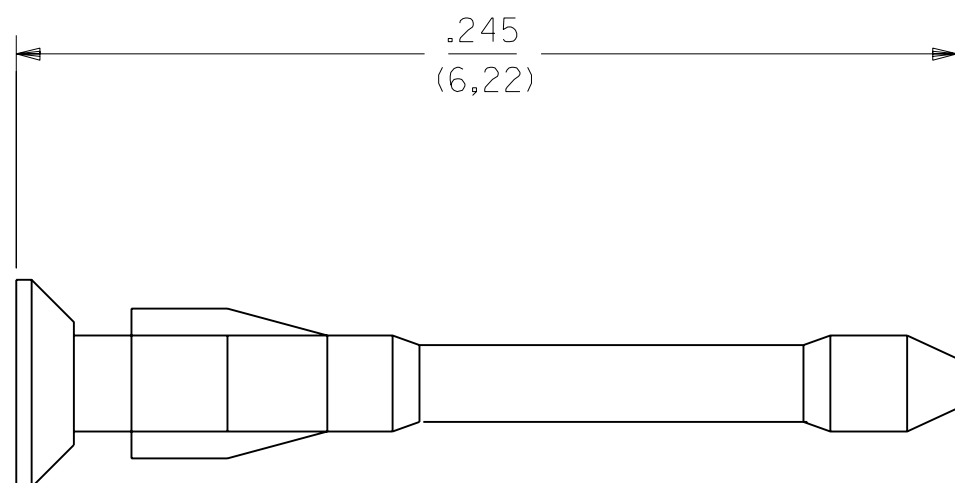
C

B

A



SCALE 8:1



SCALE 20:1

NOTES:

- 1. MATERIAL: G.F. POLYESTER; UL 94V-0, COLOR: SEE CHART
- 2. TO BE USED WITH PRODUCT HAVING .032 - .038 SQ. PIN WINDOWS.
- 3. KEY IS MOLDED AS A 20-PIECE UNIT.
- 4. PART FUNCTIONS WITH OR WITHOUT PRESENCE OF CONTACT IN HOUSING.

15-04-0293	WHITE
15-04-0292	BLACK
ORDER NO.	COLOR PIN MATERIAL

D ADD TO CAD
ECN UDT2001-0538
SCHAFFER 00/11/17

MFG.	SH.	REV.	LTR.	REVISIONS
------	-----	------	------	-----------

DIMENSIONS SHOWN (METRIC) INCH			
UNLESS OTHERWISE SPECIFIED TOLERANCES: ANGULAR ± 1/2°			
	INCH	METRIC	
3 PLACE	± .005	---	
2 PLACE	± .01	± 0,13	
1 PLACE	---	± 0,25	
DRAFT WHERE APPLICABLE MUST REMAIN WITHIN DIMENSIONS			
DRWG. BY	JJS	CHK'D. BY	DJB
APP'D. BY	DJB	SCALE	20:1

▽ = 0	▼ = 0	REVISE ONLY ON CAD SYSTEM	
TITLE UNIVERSAL POLARIZING PIN			
MOLEX INCORPORATED LISLE, ILL. 60532 U.S.A.		SHEET NO. 1 OF 1	DATE 11 / 17 / 00
PART NO. SEE CHART		DRWG. NO. SD-40713-***	
THIS DRAWING CONTAINS INFORMATION THAT IS PROPRIETARY TO MOLEX INC. AND SHOULD NOT BE USED WITHOUT WRITTEN PERMISSION.			
FILE NAME	DD	SIZE	C

13

12

11

10

9

8

7

6

5

4

3

2

1

40713