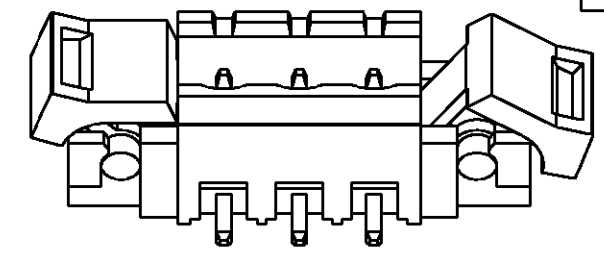
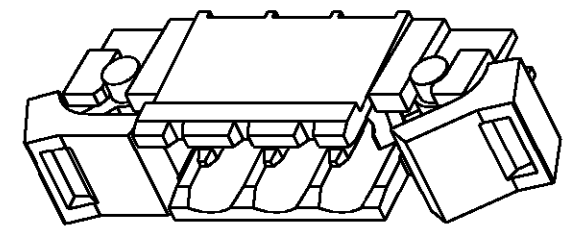


THIS DRAWING IS UNPUBLISHED. RELEASED FOR PUBLICATION 20
 © COPYRIGHT 20 BY TYCO ELECTRONICS CORPORATION. ALL RIGHTS RESERVED.

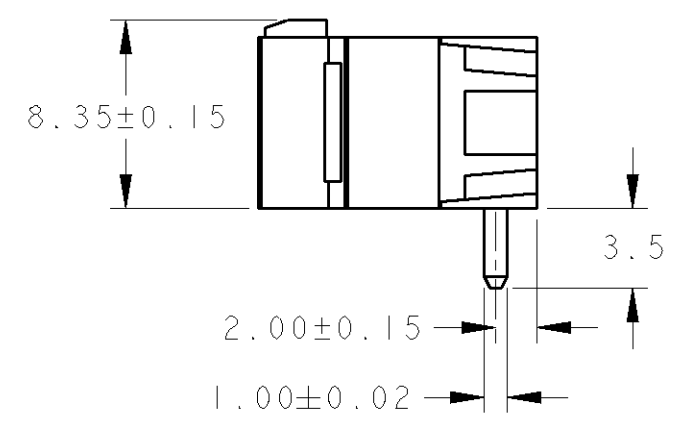
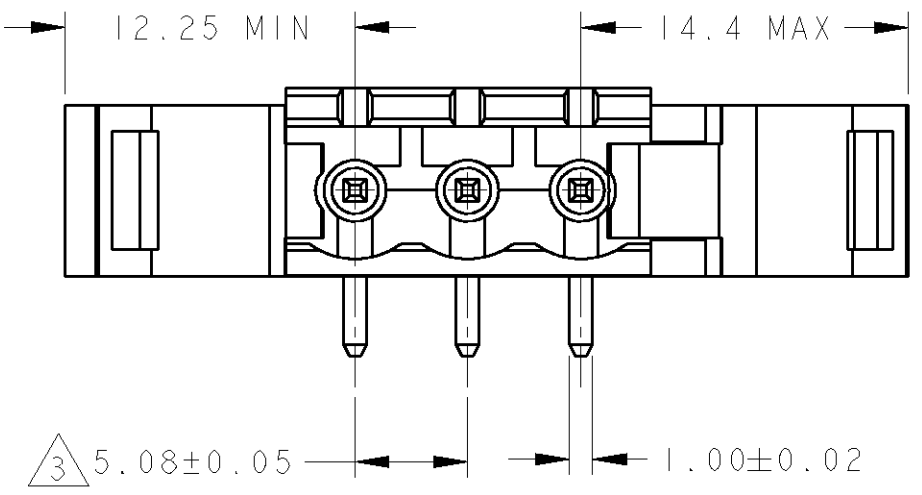
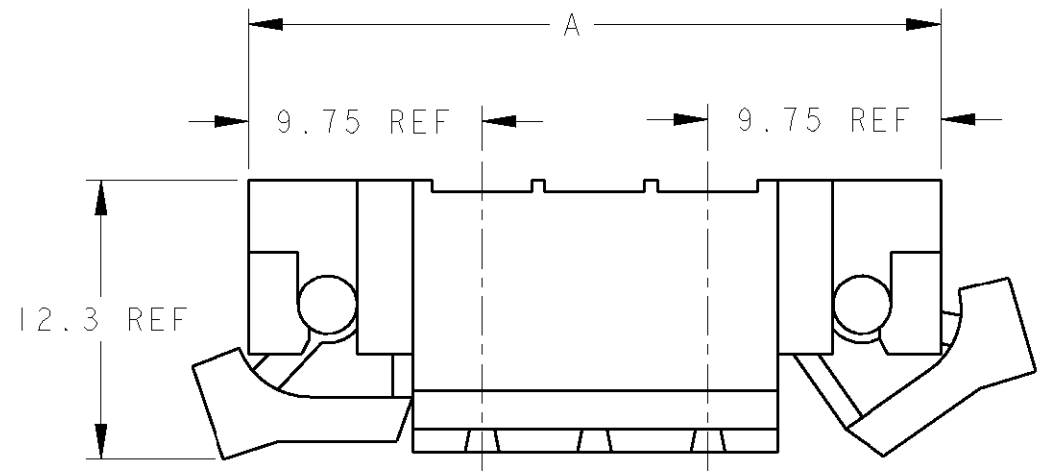
LOC	DIST	REVISIONS			
P	LTR	DESCRIPTION	DATE	DWN	APVD
FT	0				
		B	REVISED PER 0G3B-0119-01	02JAN2002	EZ DB



284008-3 AS SHOWN

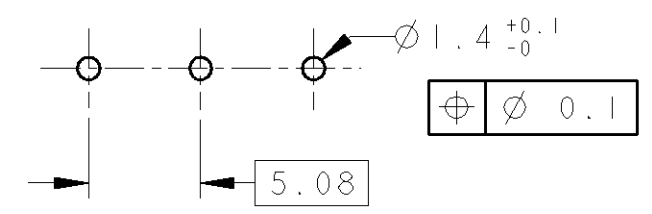


- 1 MATERIALS AND FINISH
HOUSING: PA 6-6, UL 94-V0, COLOR GREEN.
POST: PHOSPHOR BRONZE, TIN PLATED.
- 2 SUITABLE FOR 1,6-2,4mm PC BOARD THICKNESS.
- 3 NOT CUMULATIVE TOLERANCE
- 4 IMQ CERTIFICATE WITH SURVEILLANCE IN CONFORMITY WITH IEC 998-1/998-2-1.



DIM. A	N° OF POS.	PART NUMBER
121.10	21	2-284008-1
116.02	20	2-284008-0
110.94	19	1-284008-9
105.86	18	1-284008-8
100.78	17	1-284008-7
95.70	16	1-284008-6
90.62	15	1-284008-5
85.54	14	1-284008-4
80.46	13	1-284008-3
75.38	12	1-284008-2
70.30	11	1-284008-1
65.22	10	1-284008-0
60.14	9	284008-9
55.06	8	284008-8
49.98	7	284008-7
44.90	6	284008-6
39.82	5	284008-5
34.74	4	284008-4
29.66	3	284008-3
24.58	2	284008-2

RECOMMENDED PC BOARD LAYOUT



<small>THIS DRAWING IS A CONTROLLED DOCUMENT FOR TYCO ELECTRONICS CORPORATION IT IS SUBJECT TO CHANGE AND THE CONTROLLING ENGINEERING ORGANIZATION SHOULD BE CONTACTED FOR THE LATEST REVISION.</small>		DWN 02JAN2002 E. ZANOLINI CHK 02JAN2002 E. ZANOLINI APVD 02JAN2002 D. BIEVENOUR		BUCHANAN Tyco Electronics Harrisburg, PA 17105-3608	
DIMENSIONS: mm		TOLERANCES UNLESS OTHERWISE SPECIFIED: 0 PLC ±.3 1 PLC ±.3 2 PLC ±.25 3 PLC ±. 4 PLC ±. ANGLES ±2		NAME TERMINAL BLOCK HEADER ASSEMBLY 90° WITH EJECTORS 5.08mm PITCH	
MATERIAL 		FINISH 		PRODUCT SPEC 108-20166 APPLICATION SPEC 114-20079 WEIGHT -	
CUSTOMER DRAWING				SIZE A3 CAGE CODE 00779 DRAWING NO C=284008 RESTRICTED TO -	
SCALE 3:1 SHEET 1 OF 1 REV B					