

PLEASE CHECK WWW.MOLEX.COM FOR LATEST PART INFORMATION

Part Number: [0050361688](#)
Status: **Active**
Overview: [standard_093](#)
Description: 2.36mm (.093") Diameter Standard .093" Pin and Socket Plug Housing Without Mounting Ears, Positive Lock, 2 Circuits, Glow Wire Compatible

Documents:

[3D Model](#) [Drawing \(PDF\)](#)
[Packaging Specification \(PDF\)](#) [RoHS Certificate of Compliance \(PDF\)](#)

Agency Certification

CSA LR19980
 UL E29179

General

Product Family Crimp Housings
 Series [42191](#)
 Comments Polarized to Mating Part, Without Mounting Ears
 Overview [standard_093](#)
 Product Name Standard .093"

Physical

Breakaway No
 Circuits (maximum) 2
 Color - Resin Black
 Flammability 94V-2
 Gender Plug
 Glow-Wire Compliant Yes
 Keying to Mating Part None
 Lock to Mating Part Yes
 Material - Resin Nylon
 Number of Rows 1
 Packaging Type Bag
 Panel Mount No
 Pitch - Mating Interface (in) 0.248 In
 Pitch - Mating Interface (mm) 6.30 mm
 Pitch - Term. Interface (in) 0.248 In
 Pitch - Term. Interface (mm) 6.30 mm
 Polarized to Mating Part Yes
 Ports 0
 Stackable No
 Temperature Range - Operating -55°C to +105°C

Material Info

Old Part Number 42191-2P1-1

Reference - Drawing Numbers

Sales Drawing SD-42191-002

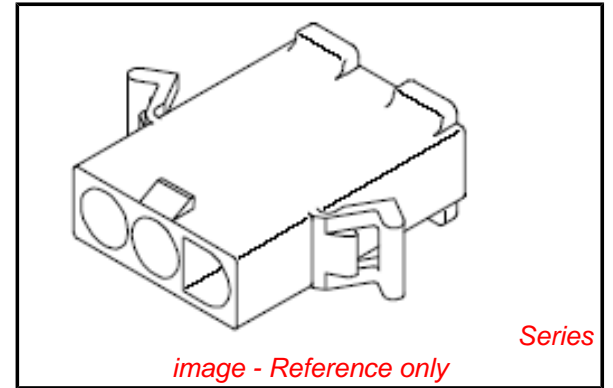


image - Reference only

EU RoHS

ELV and RoHS Compliant
REACH SVHC Contains SVHC: No
Halogen-Free Status

China RoHS



Need more information on product environmental compliance?

Email productcompliance@molex.com
 For a multiple part number RoHS Certificate of Compliance, [click here](#)

Please visit the [Contact Us](#) section for any non-product compliance questions.

Search Parts in this Series

[42191Series](#)

Mates With

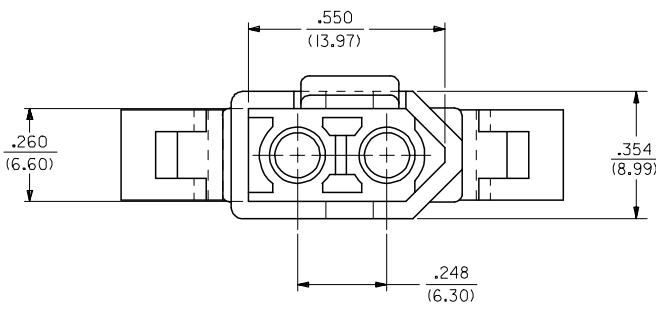
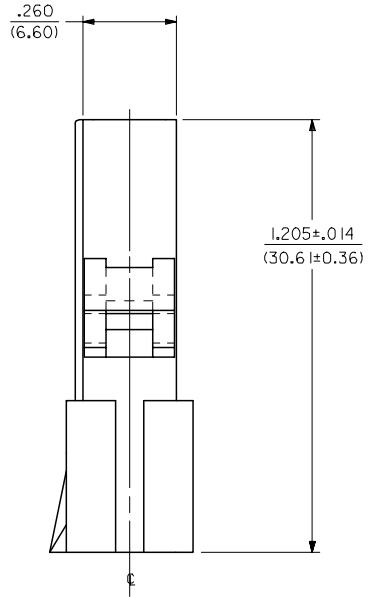
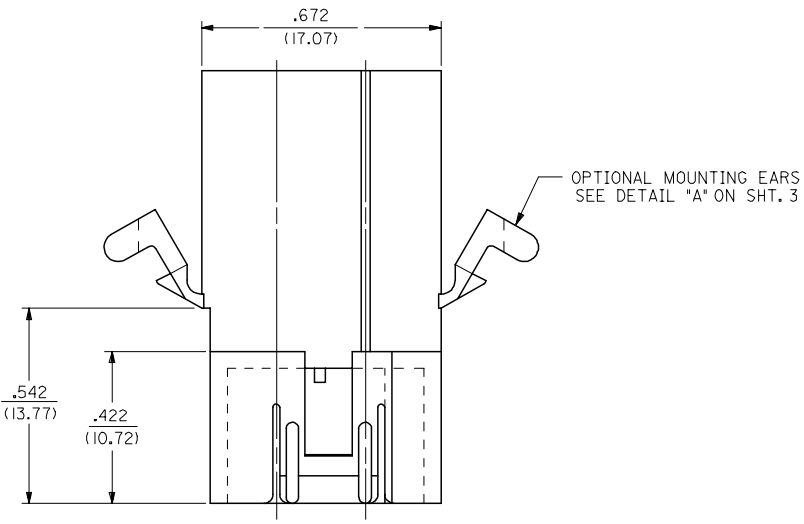
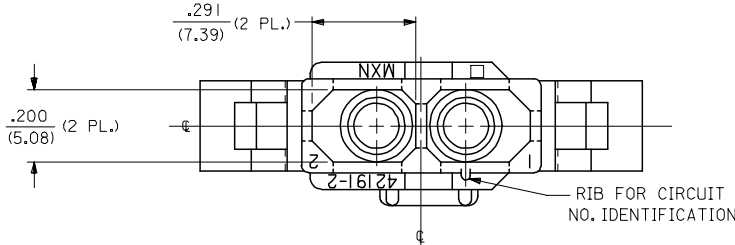
[42191](#) Pin and Socket Receptacle

Use With

[1189](#) Crimp Terminals, [1190](#) Crimp Terminals, [1380](#) Male Crimp Terminals, [1381](#) Female Crimp Terminals, [1433](#) Crimp Terminals, [1434](#) Male Crimp Terminals, [2605](#) , [2606](#) , [1973](#) , [2151](#) , [2273](#) , [2870](#) , [2871](#) , [4272](#) , Lin

13 12 11 10 9 8 7 6 5 4 3 2 1

J
I
H
G
F
E
D
C
B
A



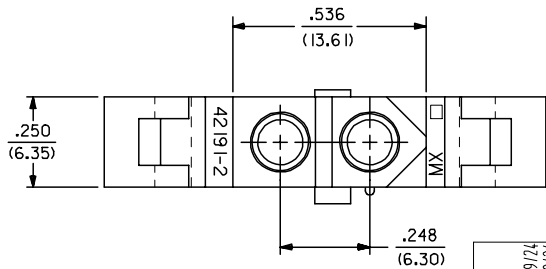
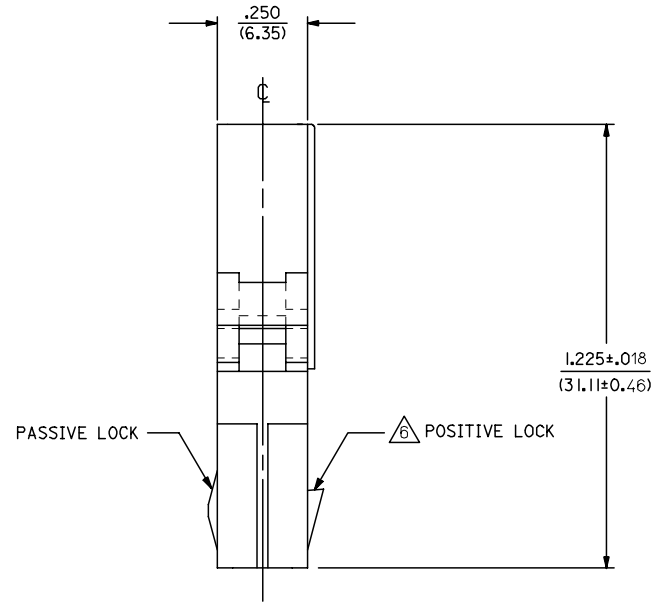
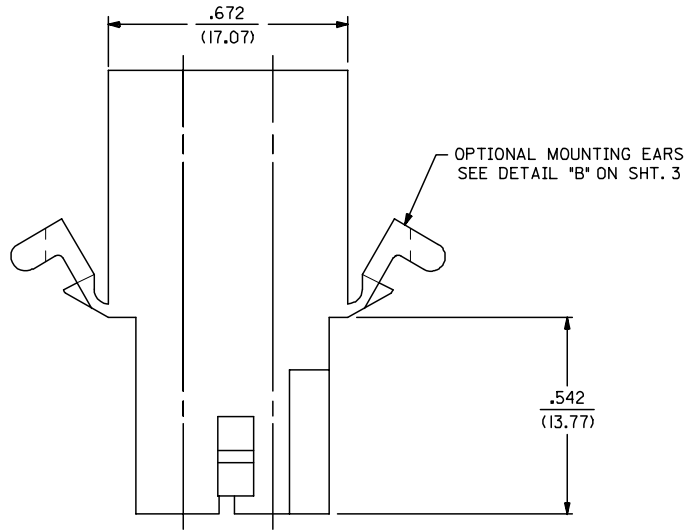
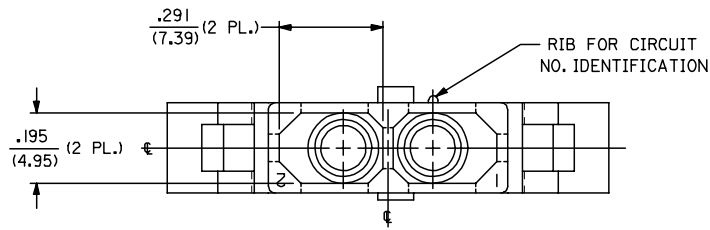
PLUG HOUSING

RELEASED FCC NO: UCP2007-2967 DRAWN/PRD/DR 2007/09/24 CHKD:LSH/MT 2007/09/24 APPR:FSM/TH 2007/09/25 REV A	DESCRIPTION QUALITY SYMBOLS ▽=0 ▽=0	GENERAL TOLERANCES (UNLESS SPECIFIED)		DIMENSION STYLE IN/MM		SCALE 1:1	DESIGN UNITS INCH	THIRD ANGLE PROJECTION		
		4 PLACES ± --- ± ---	mm	INCH	DRAWN BY AELHAG	DATE 09/24/2007	TITLE .093/(2.36) HOUSING G.W. PLUG AND RECEPTACLE 2 CIRCUIT			
		3 PLACES ± --- ± .010			CHECKED BY .SCHMIDT	DATE 09/24/2007	MOLEX INCORPORATED			
		2 PLACES ± 0.25 ± .014			APPROVED BY FSMITH	DATE 09/24/2007	MATERIAL NO. SD-42191-002		DOCUMENT NO. SHEET NO. 1 OF 3	
1 PLACE ± 0.36 ± ---		ANGULAR ± 1 °		SEE CHART		THIS DRAWING CONTAINS INFORMATION THAT IS PROPRIETARY TO MOLEX INCORPORATED AND SHOULD NOT BE USED WITHOUT WRITTEN PERMISSION				

12 11 10 9 8 7 6 5 4 3 2 1

13 12 11 10 9 8 7 6 5 4 3 2 1

J
I
H
G
F
E
D
C
B
A



RECEPTACLE HOUSING

RELEASED FC NO: UCP2007-2967 DRAWN/PRD/DR 2007/09/24 CHKD:LSHMDT 2007/09/24 APPR:FSMTH 2007/09/25 REV: A	QUALITY SYMBOLS $\nabla=0$ $\nabla=0$	GENERAL TOLERANCES (UNLESS SPECIFIED)		DIMENSION STYLE IN/MM		SCALE 1:1	DESIGN UNITS INCH	\odot \square THIRD ANGLE PROJECTION		
		4 PLACES	± .010	± .010	DRAWN BY	DATE	TITLE			
		3 PLACES	± .010	± .010	CHECKED BY	DATE	.093/(2.36) HOUSING G.W. PLUG AND RECEPTACLE 2 CIRCUIT			
		2 PLACES	± 0.25	± .014	APPROVED BY	DATE	MOLEX INCORPORATED			
1 PLACE	± 0.36	± .014	ANGULAR ±1/2°		MATERIAL NO.	DOCUMENT NO.	SHEET NO.			
DRAFT WHERE APPLICABLE MUST REMAIN WITHIN DIMENSIONS		SEE CHART		SD-42191-002		2 OF 3				
THIS DRAWING CONTAINS INFORMATION THAT IS PROPRIETARY TO MOLEX INCORPORATED AND SHOULD NOT BE USED WITHOUT WRITTEN PERMISSION										

12 11 10 9 8 7 6 5 4 3 2 1

PLUG	
PART NO.	ENG. NO.
50-36-1688	42191-2P1-1

RECEPTACLE	
PART NO.	ENG. NO.
50-36-1687	42191-2R1-1

LEGEND: PLUG

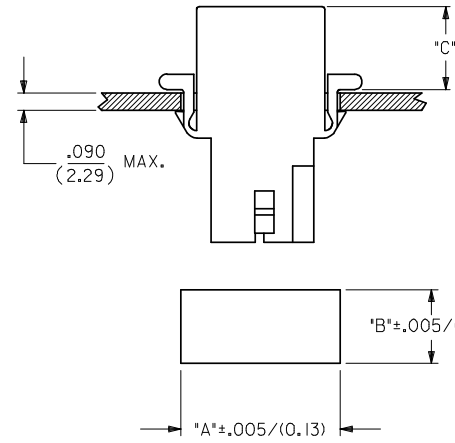
42 191- *P***

CIRCUIT SIZE
P = PLUG
BLANK = WITH PREBENT EARS
I = WITHOUT EARS
BLANK = BLACK COLOR
W = WHITE
MATERIAL:
1 = PA6 NYLON, UL94V-0

LEGEND: RECEPTACLE

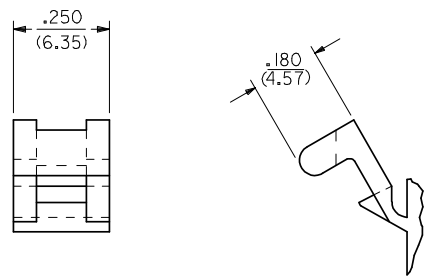
42 191- *R***

CIRCUIT SIZE
R = RECEPTACLE
BLANK = WITH PREBENT EARS, POSITIVE LOCK
1 = WITHOUT EARS, POSITIVE LOCK
2 = WITH PREBENT EARS, PASSIVE LOCK
3 = WITHOUT EARS, PASSIVE LOCK
BLANK = BLACK COLOR
W = WHITE
MATERIAL:
1 = PA6 NYLON, UL94V-0



RECOMMENDED PANEL MOUNTING HOLE

HOUSING	DIM. "A"	DIM. "B"	DIM. "C"
PLUG	.831/(21.11)	.385/(9.78)	.44/(11.2)
RECEPTACLE	.831/(21.11)	.335/(8.51)	.46/(11.7)



DETAIL "A"

PREBENT MOUNTING EAR
SCALE 4:1

NOTES:

- MATERIAL: 1 = UL94V-0, PA6 NYLON, IEC 60335-1, 4TH EDITION, GLOW WIRE CAPABLE.
- FINISH: NONE.
- PRODUCT SPECIFICATION: NONE.
- PACKAGING INFORMATION: NONE.
- PART ACCEPTS DOUBLE WIRE CRIMPS OF 18 AWG MAXIMUM. EACH CIRCUIT WILL ALLOW ONE OF THE WIRES TO HAVE AN INSULATION THICKNESS OF .062/(1.57), THE OTHER HAVING AN INSULATION THICKNESS OF .031/(0.79).
- LOCK RAMP STYLE IS OPTIONAL ON THIS SIDE OF PART. CHOICE OF EITHER A POSITIVE LOCK RAMP OR A PASSIVE LOCK RAMP IS AVAILABLE.
- PARTS CONFORM TO CLASS 'B' REQUIREMENTS OF COSMETIC SPECIFICATION PS-45499-002 BUT, MEETS CLASS 'C' REQUIREMENTS FOR SINK AND DISCOLORATION.

CORRECT EDP NO'S EC NO: UCP2009-0468 DRWN: AELHAG 2008/08/22 CHKD: HKIPPER 2008/08/26 APPR: FSMITH 2008/08/27	QUALITY SYMBOLS ▽=0 ▽=0	GENERAL TOLERANCES (UNLESS SPECIFIED)		DIMENSION STYLE IN/MM	SCALE 1:1	DESIGN UNITS INCH	THIRD ANGLE PROJECTION		
		mm INCH	DRAWN BY AELHAG	DATE 09/24/2007	TITLE .093/(2.36) HOUSING, PLUG AND RECEPTACLE, 2 CIRCUIT				
		4 PLACES ± .010 3 PLACES ± .010 2 PLACES ± 0.25 1 PLACE ± 0.36	CHECKED BY LSCHMIDT	DATE 09/24/2007	MOLEX INCORPORATED				
		ANGULAR ± 1°	APPROVED BY FSMITH	DATE 09/24/2007	MATERIAL NO. SEE CHART	DOCUMENT NO. SD-42191-002	SHEET NO. 3 OF 3		
A1	REV	DRAFT WHERE APPLICABLE MUST REMAIN WITHIN DIMENSIONS		THIS DRAWING CONTAINS INFORMATION THAT IS PROPRIETARY TO MOLEX INCORPORATED AND SHOULD NOT BE USED WITHOUT WRITTEN PERMISSION					