

Silicon NPN Power Transistors

2SC1722

**DESCRIPTION**

- With TO-220C package
- High breakdown voltage
- High transition frequency

**APPLICATIONS**

- Low frequency power amplifier
- TV horizontal/vertical driver

**PINNING**

PIN	DESCRIPTION
1	Base
2	Collector;connected to mounting base
3	Emitter

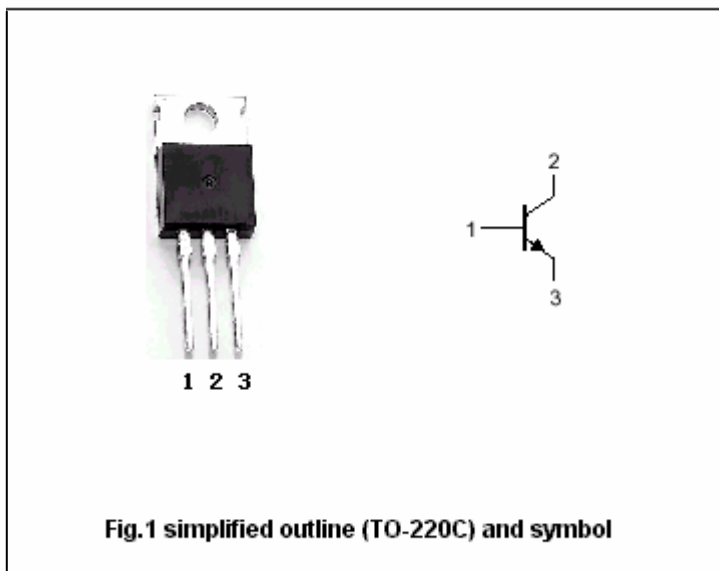


Fig.1 simplified outline (TO-220C) and symbol

**Absolute maximum ratings(Ta=25°C)**

SYMBOL	PARAMETER	CONDITIONS	VALUE	UNIT
V <sub>CBO</sub>	Collector-base voltage	Open emitter	300	V
V <sub>CEO</sub>	Collector-emitter voltage	Open base	300	V
V <sub>EBO</sub>	Emitter-base voltage	Open collector	5	V
I <sub>C</sub>	Collector current		0.2	A
P <sub>C</sub>	Collector power dissipation	T <sub>a</sub> =25°C	1.8	W
		T <sub>C</sub> =25°C	12.5	
T <sub>j</sub>	Junction temperature		150	°C
T <sub>stg</sub>	Storage temperature		-45~150	°C

## Silicon NPN Power Transistors

## 2SC1722

## CHARACTERISTICS

T<sub>j</sub>=25 °C unless otherwise specified

SYMBOL	PARAMETER	CONDITIONS	MIN	TYP.	MAX	UNIT
V <sub>(BR)CEO</sub>	Collector-emitter breakdown voltage	I <sub>C</sub> =5mA ; R <sub>BE</sub> =∞	300			V
V <sub>(BR)CBO</sub>	Collector-base breakdown voltage	I <sub>C</sub> =100μA ; I <sub>E</sub> =0	300			V
V <sub>(BR)EBO</sub>	Emitter-base breakdown voltage	I <sub>E</sub> =100μA ; I <sub>C</sub> =0	5			V
V <sub>CEsat</sub>	Collector-emitter saturation voltage	I <sub>C</sub> =50mA; I <sub>B</sub> =5mA		1.0	2.0	V
V <sub>BE</sub>	Base-emitter on voltage	I <sub>C</sub> =50m A ; V <sub>CE</sub> =10V		0.68	0.9	V
I <sub>CBO</sub>	Collector cut-off current	V <sub>CB</sub> =250V ; I <sub>E</sub> =0			0.1	μA
I <sub>CEO</sub>	Collector cut-off current	V <sub>CE</sub> =250V; R <sub>BE</sub> =∞			2	μA
h <sub>FE</sub>	DC current gain	I <sub>C</sub> =50m A ; V <sub>CE</sub> =10V	50		300	
f <sub>T</sub>	Transition frequency	I <sub>C</sub> =30m A ; V <sub>CE</sub> =20V		80		MHz
C <sub>OB</sub>	Output capacitance	I <sub>E</sub> =0 ; V <sub>CB</sub> =50V; f=1MHz		4.3		pF

Silicon NPN Power Transistors

2SC1722

PACKAGE OUTLINE

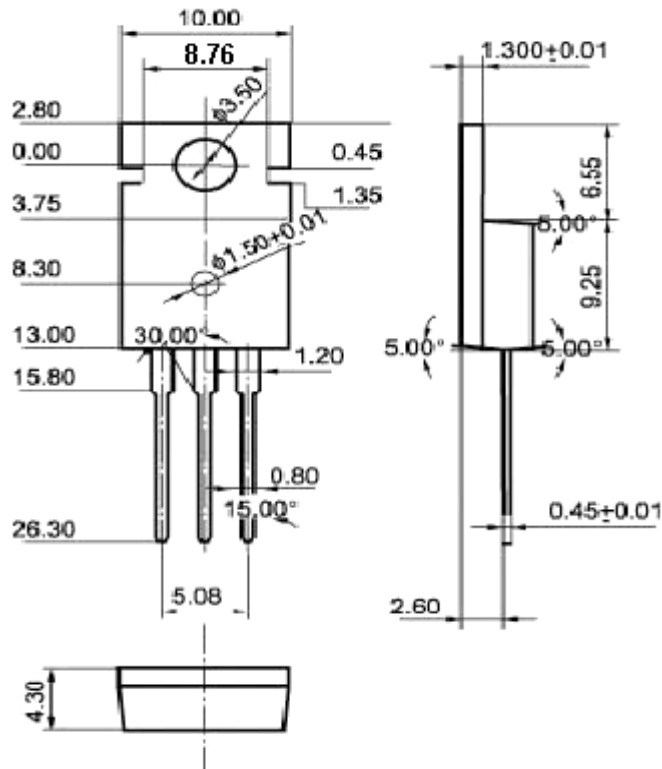


Fig.2 Outline dimensions (unindicated tolerance:  $\pm 0.10$  mm)