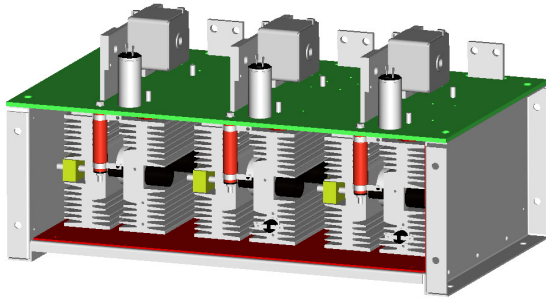


GOA9xx06

THREE PHASE AC-SWITCH



Fuse protection
Temperature sensors
Snubber for SCR's protections

LINE VOLTAGE UP TO **500 V**
RMS OUTPUT CURRENT **630 A**

| | GOA95006 | GOA94006 |
|----------------------|----------|----------|
| Line to line voltage | 500 V | 400 V |

| Characteristic | | Conditions | Value |
|------------------------|-----------------------|--|--------|
| I _{RMS} | R.M.S. output current | Cooling fans: 3 x W2S130-AA03 01 (EBM) @ Ta=40°C | 630 A |
| V _{INS (rms)} | Insulation voltage | | 3000 V |

THYRISTOR TRIGGERING CHARACTERISTICS

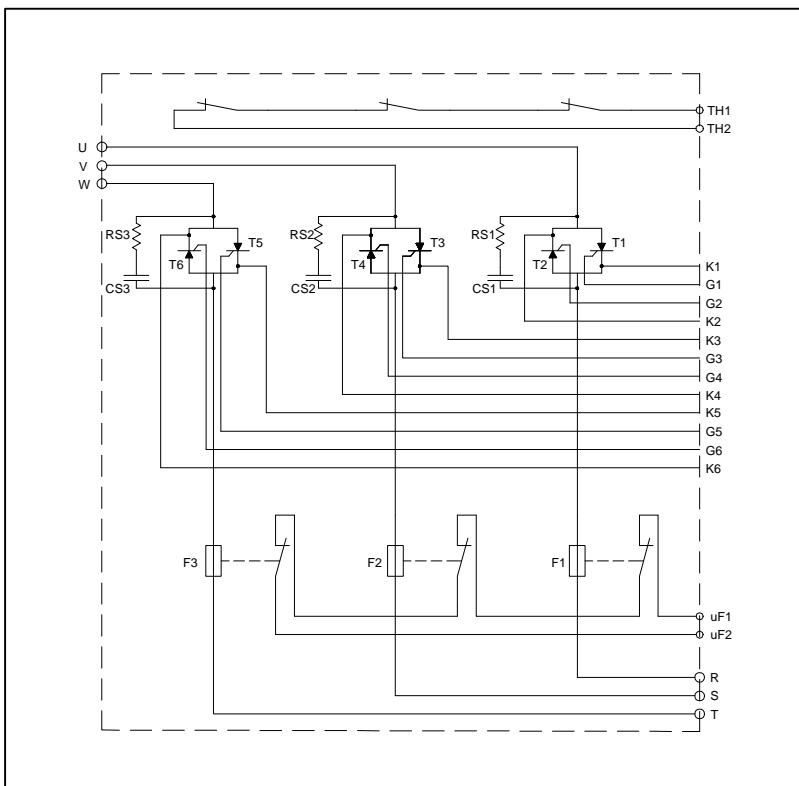
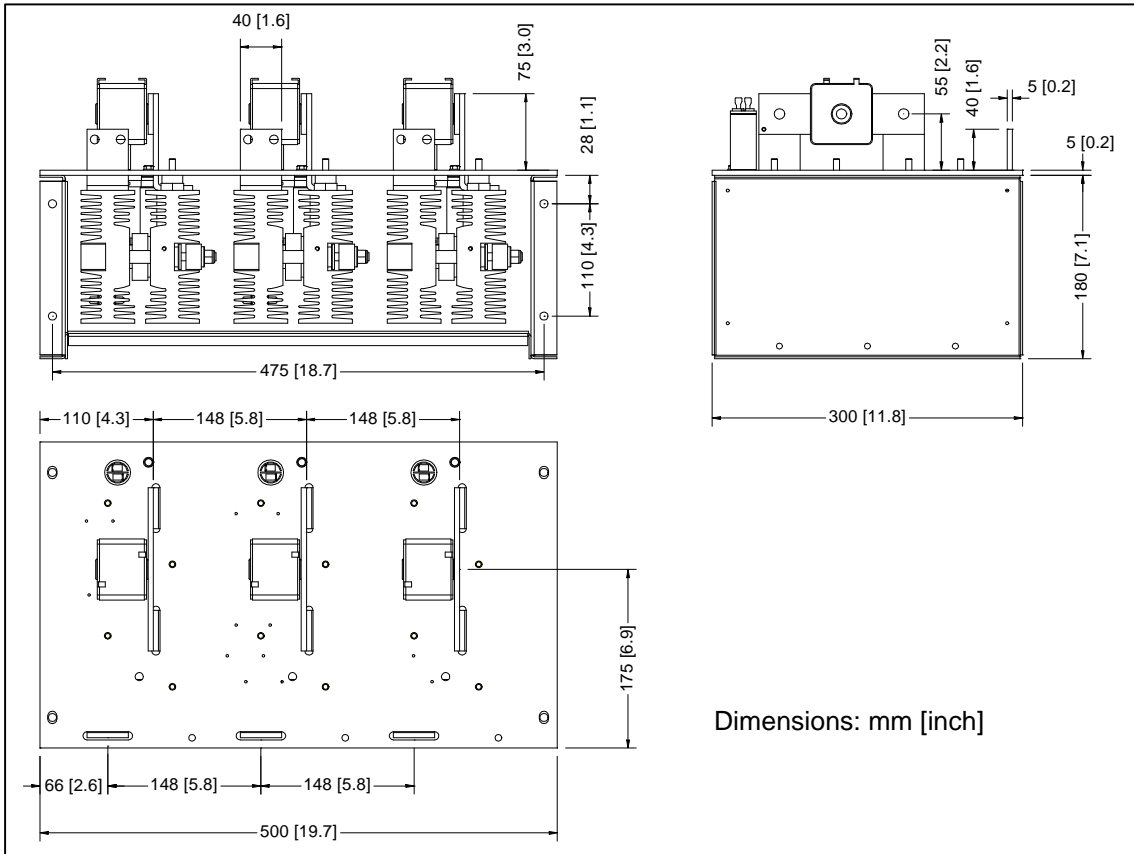
| | | | |
|-----------------|----------------------|--|--------|
| V _{GT} | Gate trigger voltage | T _j = 25 °C, V _D = 5 V | 3 V |
| I _{GT} | Gate trigger current | T _j = 25 °C, V _D = 5 V | 300 mA |

FUSE TYPE SIBA 2067132.630

| | | | |
|------------------|---------------|--------------------|-----------------------|
| V _{NF} | Rated voltage | | 690 V |
| I _{NF} | Rated current | | 630 A |
| P _{VF} | Power loss | At rated current | 94 W |
| I ² t | | Line voltage 500 V | 231 kA ² s |

MECHANICAL AND THERMAL CHARACTERISTICS

| | | | |
|--------------------|-----------------------------------|--|--------------|
| | Width | | 500 mm |
| | Depth | | 300 mm |
| | Height | | 250 mm |
| | Mass | | 30 kg |
| T _{a max} | Max ambient operating temperature | | 40 °C |
| T _{stg} | Storage temperature | | -40 / 125 °C |



In the interest of product improvement Green Power Semiconductors reserves the right to change any specification given in this data sheet without notice.