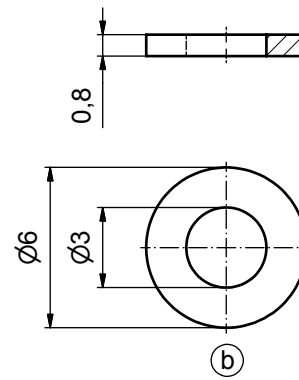
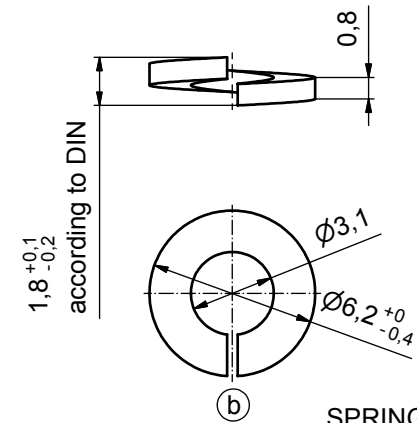


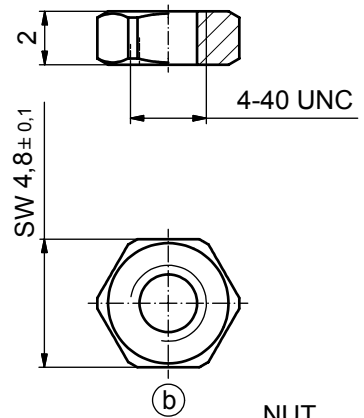
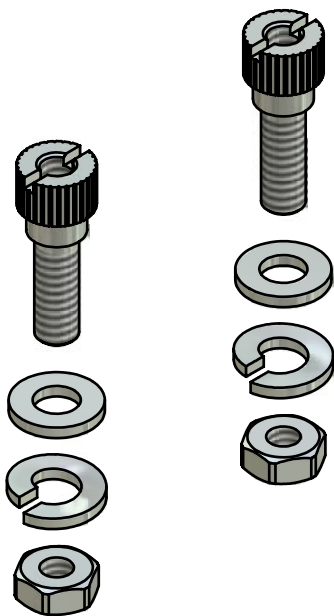
SCREW LOCKING  
Cu Zn, Nickel plated



WASHER  
Steel, Nickel plated



SPRING RING  
Steel, Nickel plated



NUT  
Steel, Nickel plated

**1 SET CONSISTS OF:**

- 2 SCREWS
- 2 WASHERS
- 2 SPRING RINGS
- 2 NUTS



|   |        |
|---|--------|
| APPROVAL # FREIGABE # DEBLOCAGE # AUTORIZACION # APPROVAL |        |
| CUSTOMER APPROVAL DATE:                                   |        |
| NAME:   | TITLE: |
| COMPANY NAME:   |        |
| APPROVAL # FREIGABE # DEBLOCAGE # AUTORIZACION # APPROVAL |        |

THIS DRAWING MAY NOT BE COPIED OR REPRODUCED IN ANY WAY, AND MAY NOT BE PASSED ON TO A THIRD PARTY WITHOUT WRITTEN PERMISSION. OWNERSHIP AND COPYRIGHT OF CONEC GmbH

DO NOT ALTER CAD DRAWING BY HAND

| rev.  | description | date     | name  | tolerance | dim. in mm |
|-------|-------------|----------|-------|-----------|------------|
| 4 x b | A 3351      | 28.04.09 | Lehm. |           |            |
| a     | Origin      |          |       |           |            |



|           |                                  |        |
|-----------|----------------------------------|--------|
| scale:    | 5:1                              |        |
| material: | SEE DRAWING                      |        |
| title:    | SCREW LOCKING<br>Bolt set packed |        |
| dwg no:   | Inventor 10                      | DIN-A3 |
|           | 16K1A1723                        | sh: 1  |
| part no:  | 160X10329X                       |        |