

**PLEASE CHECK WWW.MOLEX.COM FOR LATEST PART INFORMATION**

**Part Number:** [0558900414](#)  
**Status:** **Active**  
**Description:** CRC™ Shielded Rectangular I/O Receptacle Housing for Male Terminal, Power, 4 Circuits, Polarization Type D, Polarization Position B-2

**Documents:**

[Drawing \(PDF\)](#) [Product Specification PS-51300-005 \(PDF\)](#)  
[Product Specification PS-51300-004 \(PDF\)](#) [RoHS Certificate of Compliance \(PDF\)](#)

**Agency Certification**

CSA	LR19980
TUV	R72081037
UL	E29179

**General**

Product Family	I/O Connectors
Series	<a href="#">55890</a>
Application	Panel-Mount, Wire-to-Wire
Component Type	Housing
Product Name	CRC™
Type	N/A

**Physical**

Boot Color	N/A
Circuits (Loaded)	N/A
Circuits (maximum)	4
Color - Resin	Black
Durability (mating cycles max)	100
Flammability	94V-0
Gender	Receptacle
Keying to Mating Part	Yes
Lock to Mating Part	Yes
Material - Metal	Stainless Steel
Material - Plating Mating	n/a
Material - Resin	Polyester
Number of Rows	2
Orientation	Vertical
PCB Locator	No
Packaging Type	Tray
Panel Mount	Front, Rear
Pitch - Mating Interface (in)	0.189 In
Pitch - Mating Interface (mm)	4.80 mm
Pitch - Term. Interface (in)	0.189 In
Pitch - Term. Interface (mm)	4.80 mm
Polarized to Mating Part	Yes
Polarized to PCB	N/A
Ports	1
Surface Mount Compatible (SMC)	N/A
Temperature Range - Operating	-40°C to +105°C
Termination Interface: Style	N/A
Waterproof / Dustproof	No

**Electrical**

Current - Maximum per Contact	10A, 12.5A, 7A
Shielded	No
Voltage - Maximum	250V AC (RMS)/DC



*image - Reference only*

**EU RoHS**

**ELV and RoHS Compliant**  
**REACH SVHC Contains SVHC: No**  
**Halogen-Free Status**  
**Not Reviewed**

**China RoHS**



**Need more information on product environmental compliance?**

Email [productcompliance@molex.com](mailto:productcompliance@molex.com)  
 For a multiple part number RoHS Certificate of Compliance, [click here](#)

Please visit the [Contact Us](#) section for any non-product compliance questions.

**Search Parts in this Series**

[55890Series](#)

**Mates With**

[51297](#) plug assembly set, [51301](#) plug housing

**Use With**

56377-120\* receptacle shell, [56193](#) male terminal

## Material Info

### Reference - Drawing Numbers

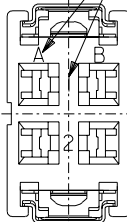
Application Specification  
Product Specification  
Sales Drawing

AS-51300-005  
PS-51300-004, PS-51300-005  
SD-55890-003

This document was generated on 05/10/2010

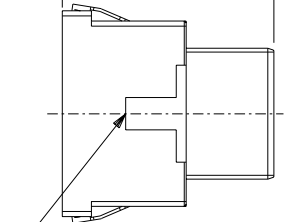
**PLEASE CHECK [WWW.MOLEX.COM](http://WWW.MOLEX.COM) FOR LATEST PART INFORMATION**

回路番号表示  
CKT.No.IDENTIFICATION



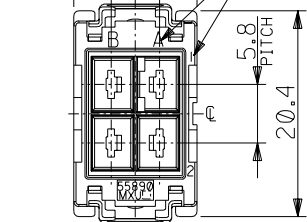
電線挿入側  
WIRE SIDE

21



シェル挿入方向キー  
POLARIZATIONS KEY FOR SHELL

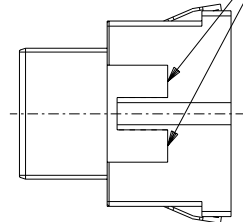
12.2  
4.8 PITCH



嵌合側  
MATING SIDE

回路番号表示  
CKT.No.IDENTIFICATION

シェル挿入方向キー  
POLARIZATIONS KEY FOR SHELL



注記  
NOTES

- 材質  
MATERIAL  
①ハウジング：ガラス入りPBT樹脂  
HOUSING : PBT G.F.  
UL94V-0 色：黒  
UL94V-0 COLOR : BLACK  
②スプリング：ステンレス鋼 t0.3  
SPRING : STAINLESS STEEL t0.3
- 適用端子：56193-4\*85  
APPLICABLE CRIMP PIN : 56193-4\*85
- 適用リセプタクル シェル：56377-12\*\*  
APPLICABLE RECEPTACLE SHELL : 56377-12\*\*
- 嵌合相手：51301-040\*  
MEET WITH : 51301-040\*

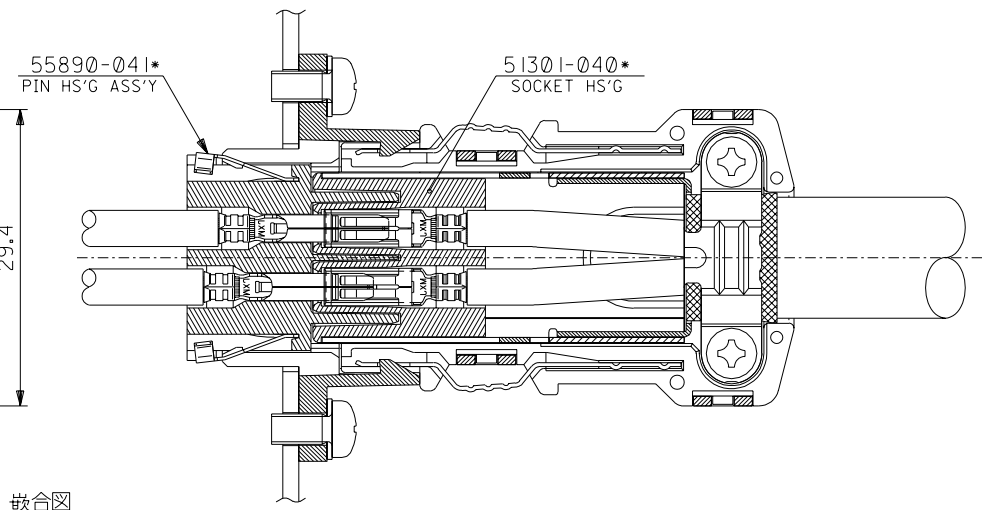
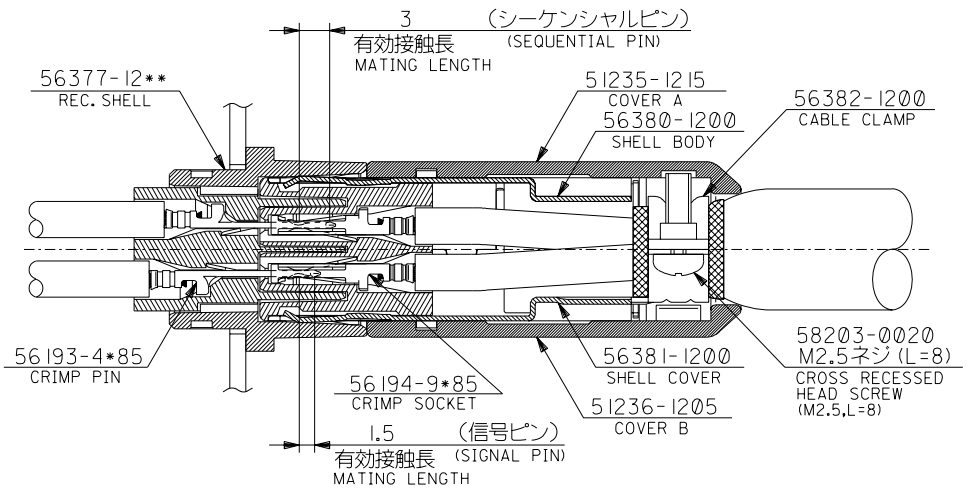
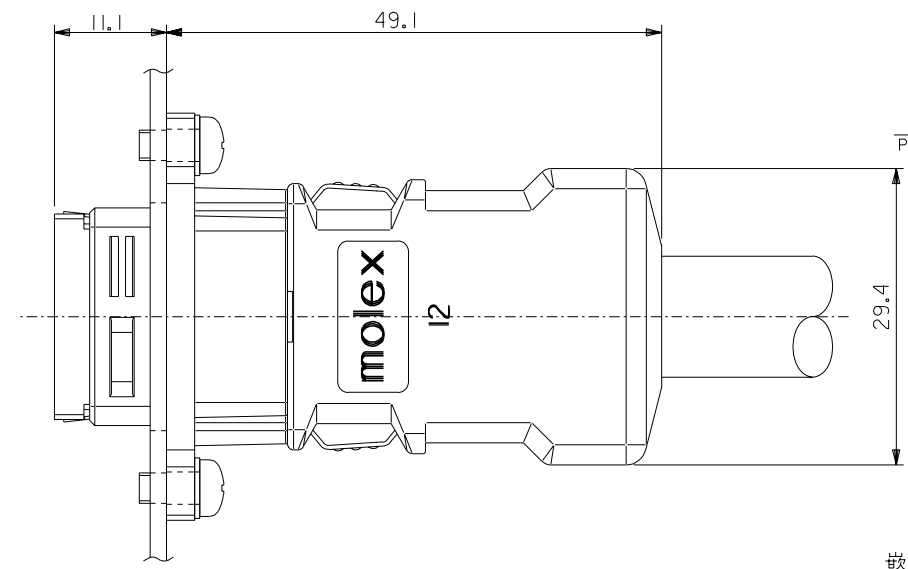
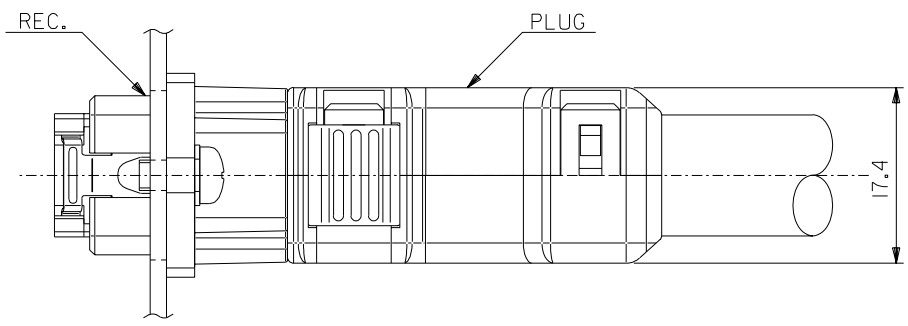
<誤嵌合防止キー（極性）タイプ>  
<POLARITY KEY TYPE>

55890-0401	55890-0402	55890-0403	55890-0404
A TYPE (CKT No. A-1)	B TYPE (CKT No. A-2)	C TYPE (CKT No. B-1)	D TYPE (CKT No. B-2)

D	55890-0414	55890-041*	4
C	55890-0413		
B	55890-0412		
A	55890-0411		
POLARITY TYPE	MATERIAL No.	MODEL No.	CIRCUIT

DO NOT SCALE DRAWING

EC NO. DRWN: CHK: APPR:	EC NO. DRWN: CHK: APPR:	EC NO. DRWN: CHK: APPR:	REVISED 02/04/15 EC NO. J2002-2601 DRWN: S.AKIYAMA CHK: J.MIYAZAWA APPR: YO.ITO	RELEASED 01/10/12 EC NO. J2002-0854 DRWN: S.AKIYAMA CHK: J.MIYAZAWA APPR: YO.ITO	MATERIAL 材料 注記参照 SEE NOTES	GENERAL TOLERANCES: (UNLESS SPECIFIED) 一般公差	SCALE 2-1	DESIGN UNITS <input checked="" type="checkbox"/> mm <input type="checkbox"/> INCH	THIRD ANGLE PROJECTION <input type="checkbox"/> mm <input checked="" type="checkbox"/> INCH	SHT 4	REV REVISE ON CAD ONLY
			A	0	DESCRIPTION FINISH 仕上げ #	10 UNDER 未満 ±0.2	DRAWN BY & DATE S. Akiyama 01/10/11	TITLE: COMPACT ROBOT CONN. POWER REC. PIN HS'G ASS'Y			
					WIRE RANGE 適用電線範囲 #	10 OVER 30 UNDER 未満 ±0.25	CHECKED BY & DATE J. Marawa	MOLEX MOLEX INCORPORATED			
					INS. RANGE 被覆外径 #	30 OVER 以上 ±0.3	APPROVED BY & DATE Y.Ota	CAD FILENAME 55890003.S01	MATERIAL NO. SEE CHART	DRAWING NO. SD-55890-003	SHEET NO. 1 OF 4
THIS DRAWING CONTAINS INFORMATION THAT IS PROPRIETARY TO MOLEX INCORPORATED AND SHOULD NOT BE USED WITHOUT WRITTEN PERMISSION.											SIZE B

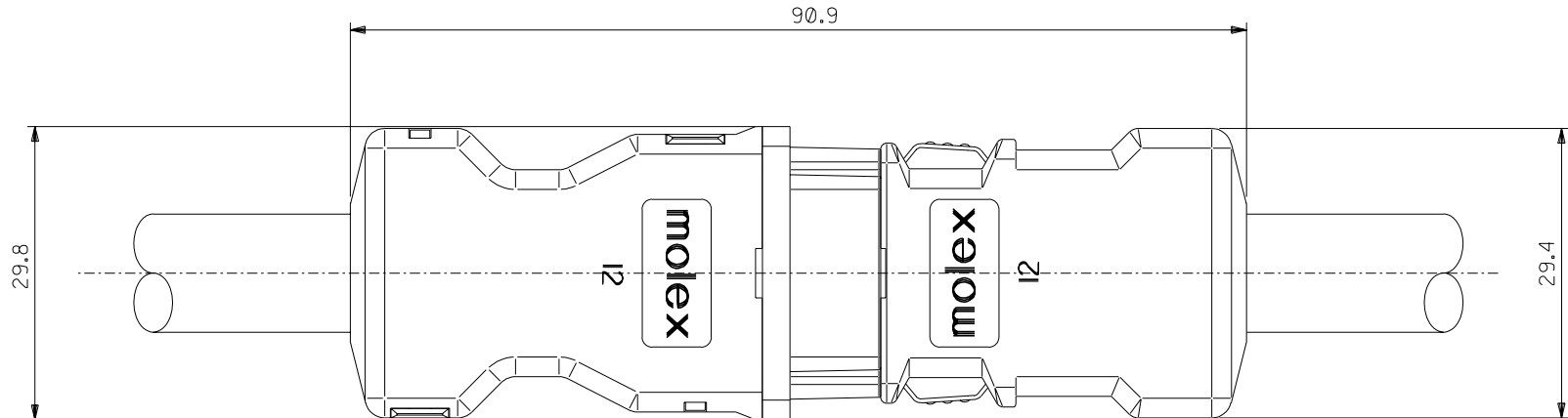
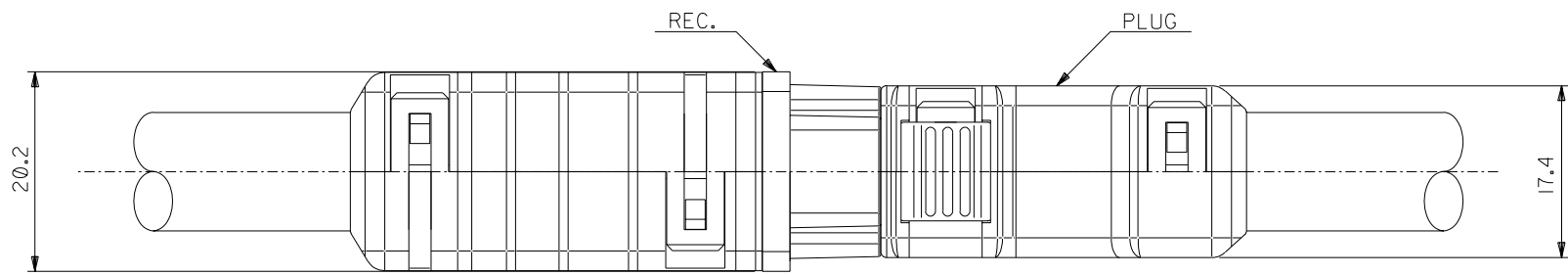


敬合図  
CROSS-SECTION VIEW OF MATED CONNECTOR

DO NOT SCALE DRAWING

EC NO. DRWN: CHK: APPR:		EC NO. DRWN: CHK: APPR:		EC NO. DRWN: CHK: APPR:		REVISED '02/04/15 EC NO. J2002-2601 DRWN: S.AKIYAMA CHK: J.MIYAZAWA APPR: YO.IITO		A		REVISED '01/10/12 EC NO. J2002-0854 DRWN: S.AKIYAMA CHK: J.MIYAZAWA APPR: YO.IITO		0		DESCRIPTION		MATERIAL 材料		GENERAL TOLERANCES: (UNLESS SPECIFIED) 一般公差		SCALE 2-1		DESIGN UNITS mm □ INCH		THIRD ANGLE PROJECTION		DIMENSIONS: □ mm □ INCH		SHT		REV	
														注記参照 SEE NOTES				10 UNDER 未滿		±0.2		DRAWN BY & DATE <i>S. Akisama</i> '01/10/11		TITLE: COMPACT ROBOT CONN. POWER REC. PIN HS'G ASS'Y							
																		10 OVER 30 UNDER 以上 未滿		±0.25		CHECKED BY & DATE <i>J. Marawa</i>		Molex MOLEX INCORPORATED							
																		30 OVER 以上		±0.3		APPROVED BY & DATE <i>Y. Ito</i>		MATERIAL NO. SEE CHART		DRAWING NO. SD-55890-003		SHEET NO. 2 OF 4			
																		ANGLE 角度		±3°		CAD FILENAME 55890003.S02		MATERIAL NO. SEE CHART		DRAWING NO. SD-55890-003		SIZE B			
																						THIS DRAWING CONTAINS INFORMATION THAT IS PROPRIETARY TO MOLEX INCORPORATED AND SHOULD NOT BE USED WITHOUT WRITTEN PERMISSION.									

DWG. NO.  
SD-55890-003



嵌合図 (中継タイプ)  
CROSS-SECTION VIEW OF MATED CONNECTOR  
(WIRE TO WIRE TYPE)

DO NOT SCALE DRAWING

EC NO. DRWN: CHK: APPR:	EC NO. DRWN: CHK: APPR:	EC NO. DRWN: CHK: APPR:	REVISED '02/04/15	MATERIAL 材料	GENERAL TOLERANCES: (UNLESS SPECIFIED) 一般公差	SCALE 2-1	DESIGN UNITS <input checked="" type="checkbox"/> mm <input type="checkbox"/> INCH	THIRD ANGLE PROJECTION <input checked="" type="checkbox"/> mm <input type="checkbox"/> INCH	DIMENSIONS: <input type="checkbox"/> mm <input type="checkbox"/> INCH <input checked="" type="checkbox"/> mm ONLY	SHT REVISE ON CAD ONLY	REV
			EC NO. J2002-2601 DRWN: S.AKIYAMA CHK: J.MIYAZAWA APPR: YO.ITO								
A	0	0	RELEASED '01/10/12	DESCRIPTION	WIRE RANGE 適用配線範囲	10 OVER 30 UNDER 以上 未満	±0.25	APPROVED BY & DATE <i>J. Morawo</i>	MATERIAL NO. SEE CHART	DRAWING NO. SD-55890-003	SHEET NO. 3 OF 4
			EC NO. J2002-0854 DRWN: S.AKIYAMA CHK: J.MIYAZAWA APPR: YO.ITO								
						ANGLE 角度	±3°				

注記参照  
SEE NOTES

#

#

#

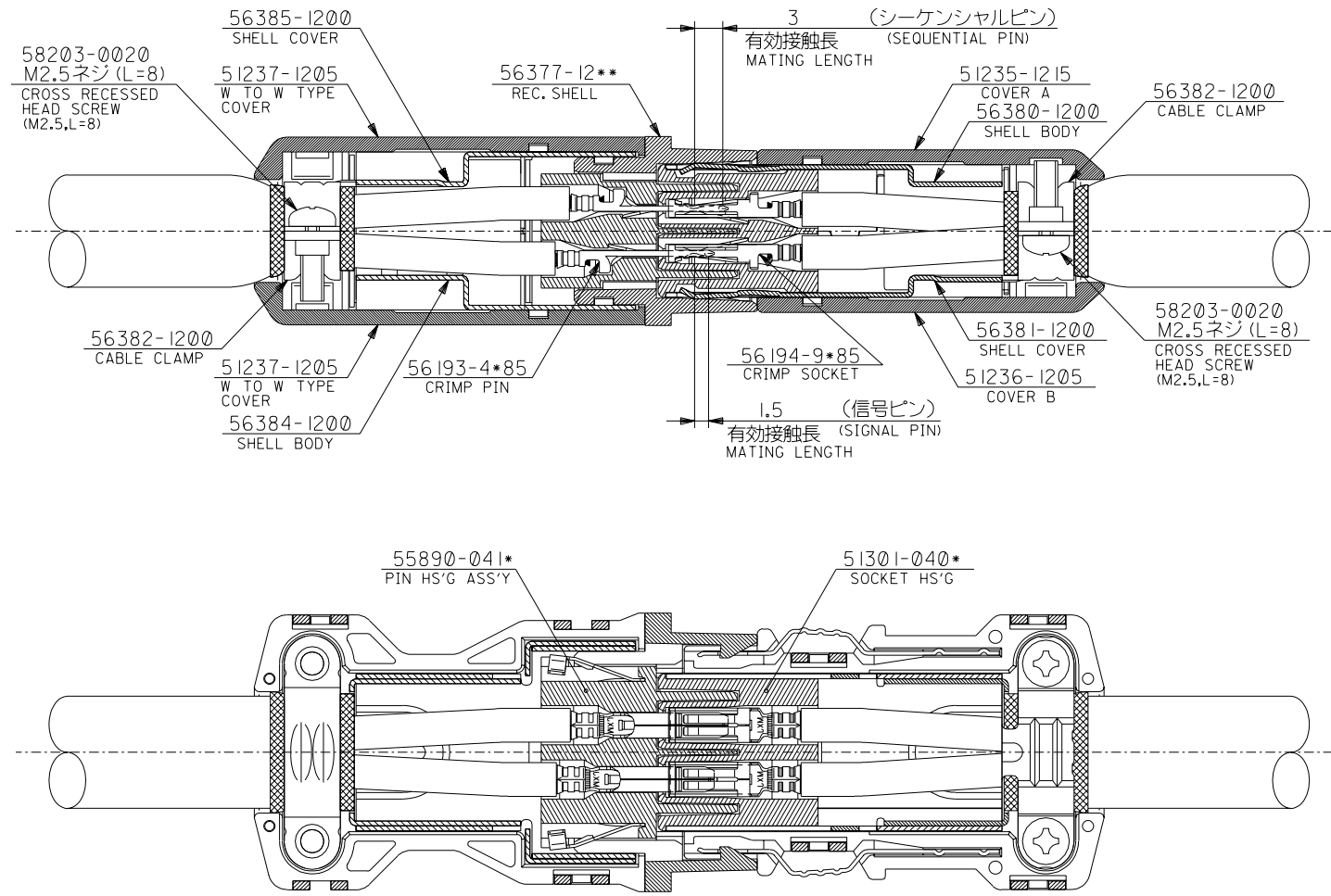
APPROVED BY & DATE  
*Y. Ito*

MOLEX INCORPORATED

THIS DRAWING CONTAINS INFORMATION THAT IS PROPRIETARY TO MOLEX INCORPORATED AND SHOULD NOT BE USED WITHOUT WRITTEN PERMISSION.

A  
55890003.S03

DWG. NO. SD-55890-003



嵌合図 (中継タイプ)  
CROSS-SECTION VIEW OF MATED CONNECTOR  
(WIRE TO WIRE TYPE)

DO NOT SCALE DRAWING

EC NO. DRWN: CH'K: APPR:		EC NO. DRWN: CH'K: APPR:		EC NO. DRWN: CH'K: APPR:		REVISED '02/04/15 EC NO. J2002-2601 DRWN: S.AKIYAMA CH'K: J.MIYAZAWA APPR: YO.ITO		EC NO. J2002-0854 DRWN: S.AKIYAMA CH'K: J.MIYAZAWA APPR: YO.ITO		MATERIAL 材料		GENERAL TOLERANCES: (UNLESS SPECIFIED) 一般公差		SCALE 2-1		DESIGN UNITS <input checked="" type="checkbox"/> mm <input type="checkbox"/> INCH		THIRD ANGLE PROJECTION		DIMENSIONS: <input type="checkbox"/> mm <input type="checkbox"/> INCH <input checked="" type="checkbox"/> mm ONLY		SHT REV	
						DESCRIPTION		注記参照 SEE NOTES		FINISH 仕上げ		10 UNDER 未満		±0.2		DRAWN BY & DATE S. Akiyama '01/10/11		TITLE:		COMPACT ROBOT CONN. POWER REC. PIN HS'G ASS'Y		REVISION ON CAD ONLY	
						WIRE RANGE 適用配線範囲		#		10 OVER 30 UNDER 以上 未満		±0.25		CHECKED BY & DATE J. Morawo		APPROVED BY & DATE Y.Ota		MOLEX INCORPORATED					
						INS. RANGE 被覆外径		#		30 OVER 以上		±0.3		CAD FILENAME 55890003.S04		MATERIAL NO. SEE CHART		DRAWING NO. SD-55890-003		SHEET NO. 4 OF 4		SIZE B	
										ANGLE 角度		±3°		THIS DRAWING CONTAINS INFORMATION THAT IS PROPRIETARY TO MOLEX INCORPORATED AND SHOULD NOT BE USED WITHOUT WRITTEN PERMISSION.								EN-02J(097) MXJ-54	

55890003.S04