

PLEASE CHECK WWW.MOLEX.COM FOR LATEST PART INFORMATION

Part Number: [0558900412](#)
Status: **Active**
Description: CRC™ Shielded Rectangular I/O Receptacle Housing for Male Terminal, Power, 4 Circuits, Polarization Type B, Polarization Position A-2

Documents:

[Drawing \(PDF\)](#) [Product Specification PS-51300-005 \(PDF\)](#)
[Product Specification PS-51300-004 \(PDF\)](#) [RoHS Certificate of Compliance \(PDF\)](#)

Agency Certification

CSA	LR19980
TUV	R72081037
UL	E29179

General

Product Family	I/O Connectors
Series	55890
Application	Panel-Mount, Wire-to-Wire
Component Type	Housing
Product Name	CRC™
Type	N/A

Physical

Boot Color	N/A
Circuits (Loaded)	N/A
Circuits (maximum)	4
Color - Resin	Black
Durability (mating cycles max)	100
Flammability	94V-0
Gender	Receptacle
Keying to Mating Part	Yes
Lock to Mating Part	Yes
Material - Metal	Stainless Steel
Material - Plating Mating	n/a
Material - Resin	Polyester
Number of Rows	2
Orientation	Vertical
PCB Locator	No
Packaging Type	Tray
Panel Mount	Front, Rear
Pitch - Mating Interface (in)	0.189 In
Pitch - Mating Interface (mm)	4.80 mm
Pitch - Term. Interface (in)	0.189 In
Pitch - Term. Interface (mm)	4.80 mm
Polarized to Mating Part	Yes
Polarized to PCB	N/A
Ports	1
Surface Mount Compatible (SMC)	N/A
Temperature Range - Operating	-40°C to +105°C
Termination Interface: Style	N/A
Waterproof / Dustproof	No

Electrical

Current - Maximum per Contact	10A, 12.5A, 7A
Shielded	No
Voltage - Maximum	250V AC (RMS)/DC



EU RoHS

ELV and RoHS Compliant
REACH SVHC Contains SVHC: No
Halogen-Free Status
Not Reviewed

China RoHS



Need more information on product environmental compliance?

Email productcompliance@molex.com
 For a multiple part number RoHS Certificate of Compliance, [click here](#)

Please visit the [Contact Us](#) section for any non-product compliance questions.

Search Parts in this Series

[55890Series](#)

Mates With

[51297](#) plug assembly set, [51301](#) plug housing

Use With

56377-120* receptacle shell, [56193](#) male terminal

Material Info

Reference - Drawing Numbers

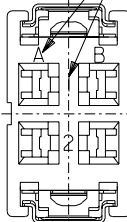
Application Specification
Product Specification
Sales Drawing

AS-51300-005
PS-51300-004, PS-51300-005
SD-55890-003

This document was generated on 05/10/2010

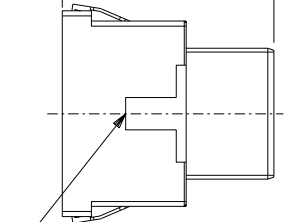
PLEASE CHECK WWW.MOLEX.COM FOR LATEST PART INFORMATION

回路番号表示
CKT.No.IDENTIFICATION



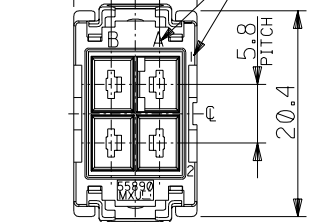
電線挿入側
WIRE SIDE

21



シェル挿入方向キー
POLARIZATIONS KEY FOR SHELL

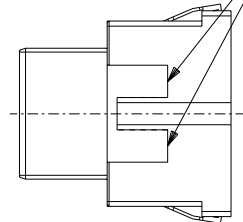
12.2
4.8 PITCH



嵌合側
MATING SIDE

回路番号表示
CKT.No.IDENTIFICATION

シェル挿入方向キー
POLARIZATIONS KEY FOR SHELL



注記
NOTES

- 材質
MATERIAL
①ハウジング：ガラス入りPBT樹脂
HOUSING : PBT G.F.
UL94V-0 色：黒
UL94V-0 COLOR : BLACK
②スプリング：ステンレス鋼 t0.3
SPRING : STAINLESS STEEL t0.3
- 適用端子：56193-4*85
APPLICABLE CRIMP PIN : 56193-4*85
- 適用リセプタクル シェル：56377-12**
APPLICABLE RECEPTACLE SHELL : 56377-12**
- 嵌合相手：51301-040*
MEET WITH : 51301-040*

<誤嵌合防止キー（極性）タイプ>
<POLARITY KEY TYPE>

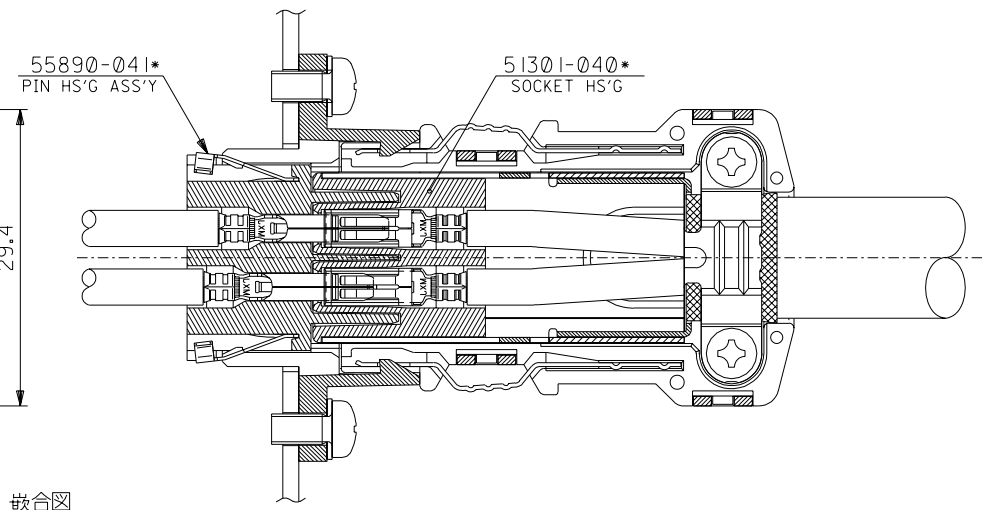
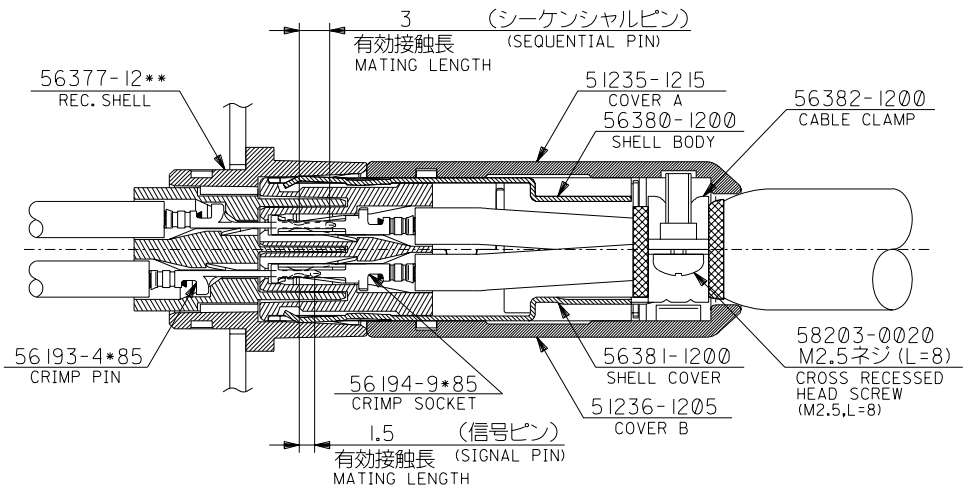
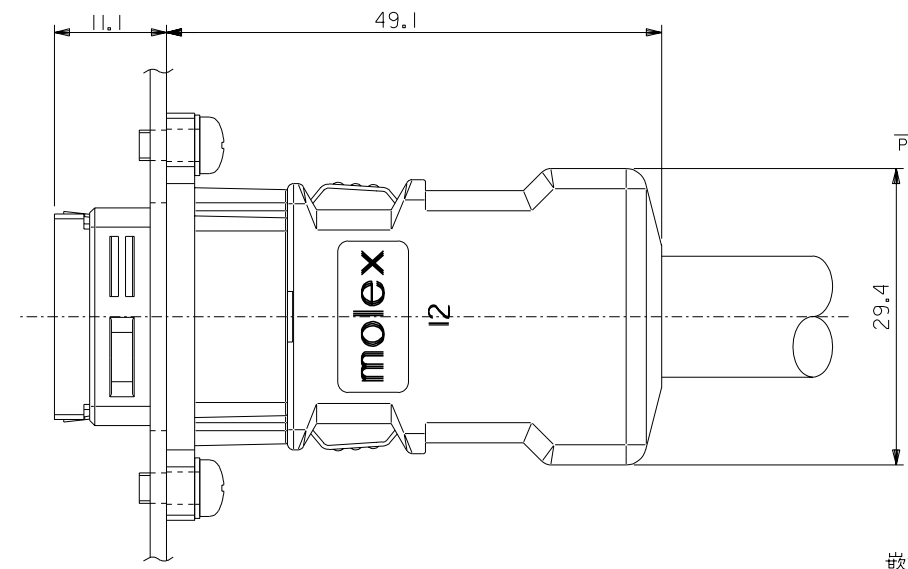
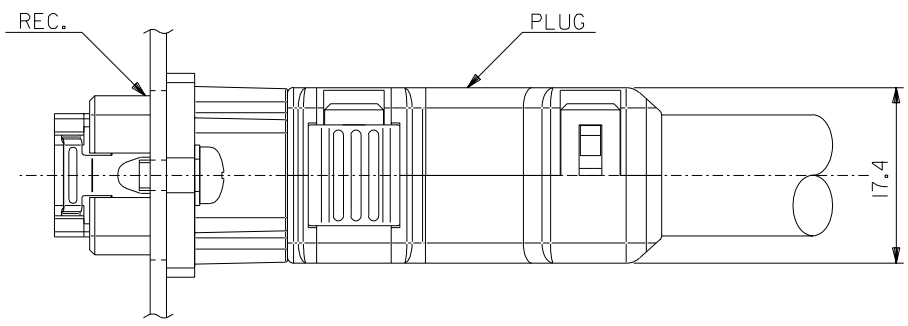
55890-0401	55890-0402	55890-0403	55890-0404
A TYPE (CKT No. A-1)	B TYPE (CKT No. A-2)	C TYPE (CKT No. B-1)	D TYPE (CKT No. B-2)

D	55890-0414	55890-041*	4
C	55890-0413		
B	55890-0412		
A	55890-0411		
POLARITY TYPE	MATERIAL No.	MODEL No.	CIRCUIT

DO NOT SCALE DRAWING

EC NO. DRWN: CHK: APPR:	EC NO. DRWN: CHK: APPR:	EC NO. DRWN: CHK: APPR:	REVISED 02/04/15 EC NO. J2002-2601 DRWN: S.AKIYAMA CHK: J.MIYAZAWA APPR: YO.ITO	REVISED 01/10/12 EC NO. J2002-0854 DRWN: S.AKIYAMA CHK: J.MIYAZAWA APPR: YO.ITO	DESCRIPTION MATERIAL 材料 注記参照 SEE NOTES	GENERAL TOLERANCES: (UNLESS SPECIFIED) 一般公差	SCALE 2-1	DESIGN UNITS <input checked="" type="checkbox"/> mm <input type="checkbox"/> INCH	THIRD ANGLE PROJECTION <input type="checkbox"/> mm <input type="checkbox"/> INCH <input checked="" type="checkbox"/> mm ONLY	SHT REVISE ON CAD ONLY	REV
			A	0	—	10 UNDER 未満 ±0.2	DRAWN BY & DATE S. Akiyama 01/10/11	TITLE: COMPACT ROBOT CONN. POWER REC. PIN HS'G ASS'Y			
					FINISH 仕上げ —	10 OVER 30 UNDER 未満 ±0.25	CHECKED BY & DATE J. Morawo	MOLEX INCORPORATED			
					WIRE RANGE 適用電線範囲 —	30 OVER 以上 ±0.3	APPROVED BY & DATE Y.Oto	CAD FILENAME 55890003.S01	MATERIAL NO. SEE CHART	DRAWING NO. SD-55890-003	SHEET NO. 1 OF 4
					INS. RANGE 被覆外径 —	ANGLE 角度 ±3°	THIS DRAWING CONTAINS INFORMATION THAT IS PROPRIETARY TO MOLEX INCORPORATED AND SHOULD NOT BE USED WITHOUT WRITTEN PERMISSION.			SIZE B	

DWG. NO. SD-55890-003



敬合図
CROSS-SECTION VIEW OF MATED CONNECTOR

DO NOT SCALE DRAWING

EC NO. DRWN: CHK: APPR:	EC NO. DRWN: CHK: APPR:	EC NO. DRWN: CHK: APPR:	REVISED '02/04/15	MATERIAL 材料	GENERAL TOLERANCES: (UNLESS SPECIFIED) 一般公差	SCALE 2-1	DESIGN UNITS mm □ INCH	THIRD ANGLE PROJECTION	DIMENSIONS: mm □ INCH □ mm ONLY	SHT REVISE ON CAD ONLY	REV
			EC NO. J2002-2601 DRWN: S.AKIYAMA CHK: J.MIYAZAWA APPR: YO.IITO								
A	0	0	RELEASED '01/10/12	FINISH 仕上げ	10 OVER 30 UNDER 未滿	±0.25	CHECKED BY & DATE <i>J. Maruwa</i>	MATERIAL NO. SEE CHART	MATERIAL NO. SEE CHART	SHEET NO. 2 OF 4	SIZE B
			EC NO. J2002-0854 DRWN: S.AKIYAMA CHK: J.MIYAZAWA APPR: YO.IITO								
				INS. RANGE 被覆外径	ANGLE 角度	±3°	CAD FILENAME 55890003.S02	MATERIAL NO. SEE CHART	DRAWING NO. SD-55890-003	SHEET NO. 2 OF 4	SIZE B

注記参照
SEE NOTES

THIRD ANGLE PROJECTION
DIMENSIONS: mm □ INCH □ mm ONLY
SHT REVISE ON CAD ONLY

TITLE:
COMPACT ROBOT CONN.
POWER REC. PIN HS'G ASS'Y

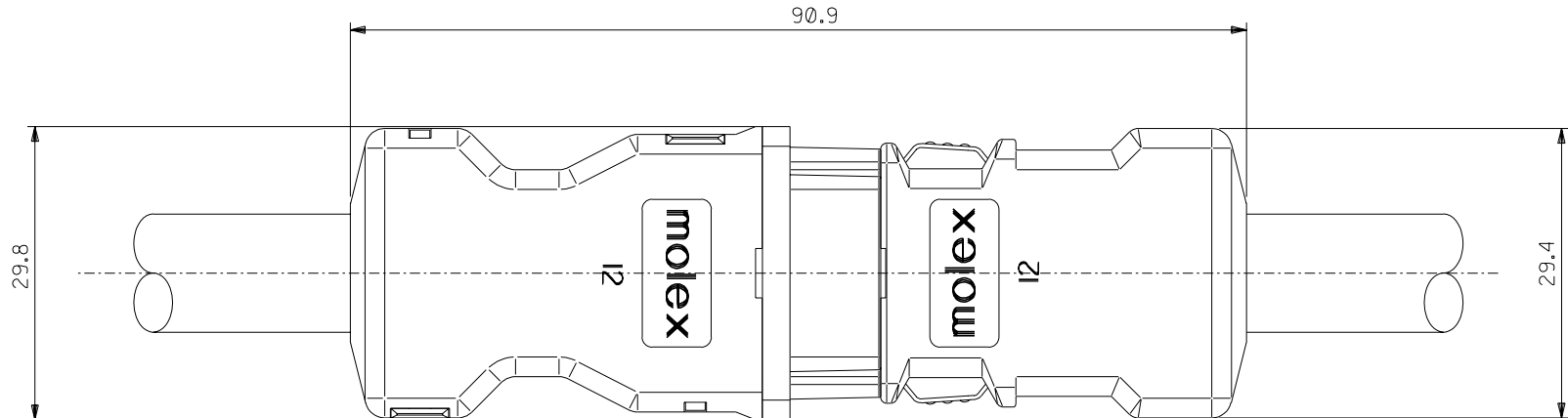
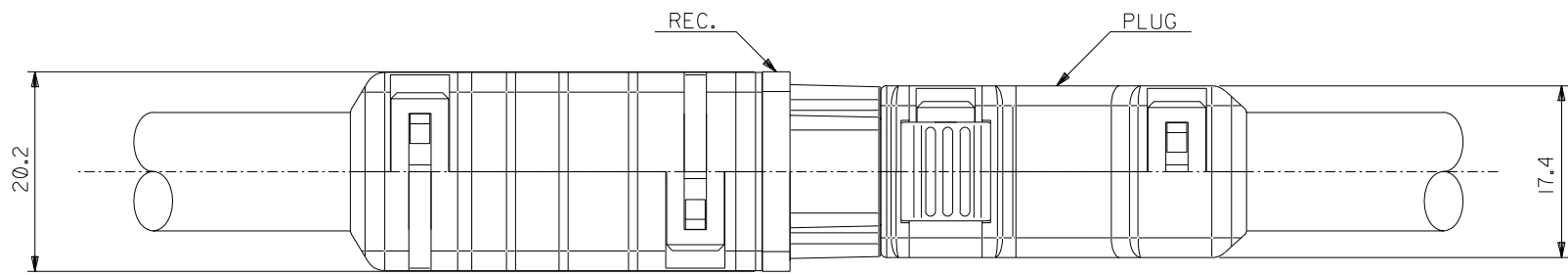
MOLEX MOLEX INCORPORATED

CAD FILENAME 55890003.S02
MATERIAL NO. SEE CHART
DRAWING NO. SD-55890-003
SHEET NO. 2 OF 4

THIS DRAWING CONTAINS INFORMATION THAT IS PROPRIETARY TO MOLEX INCORPORATED AND SHOULD NOT BE USED WITHOUT WRITTEN PERMISSION.

55890003.S02

DWG. NO.
SD-55890-003



嵌合図 (中継タイプ)
CROSS-SECTION VIEW OF MATED CONNECTOR
(WIRE TO WIRE TYPE)

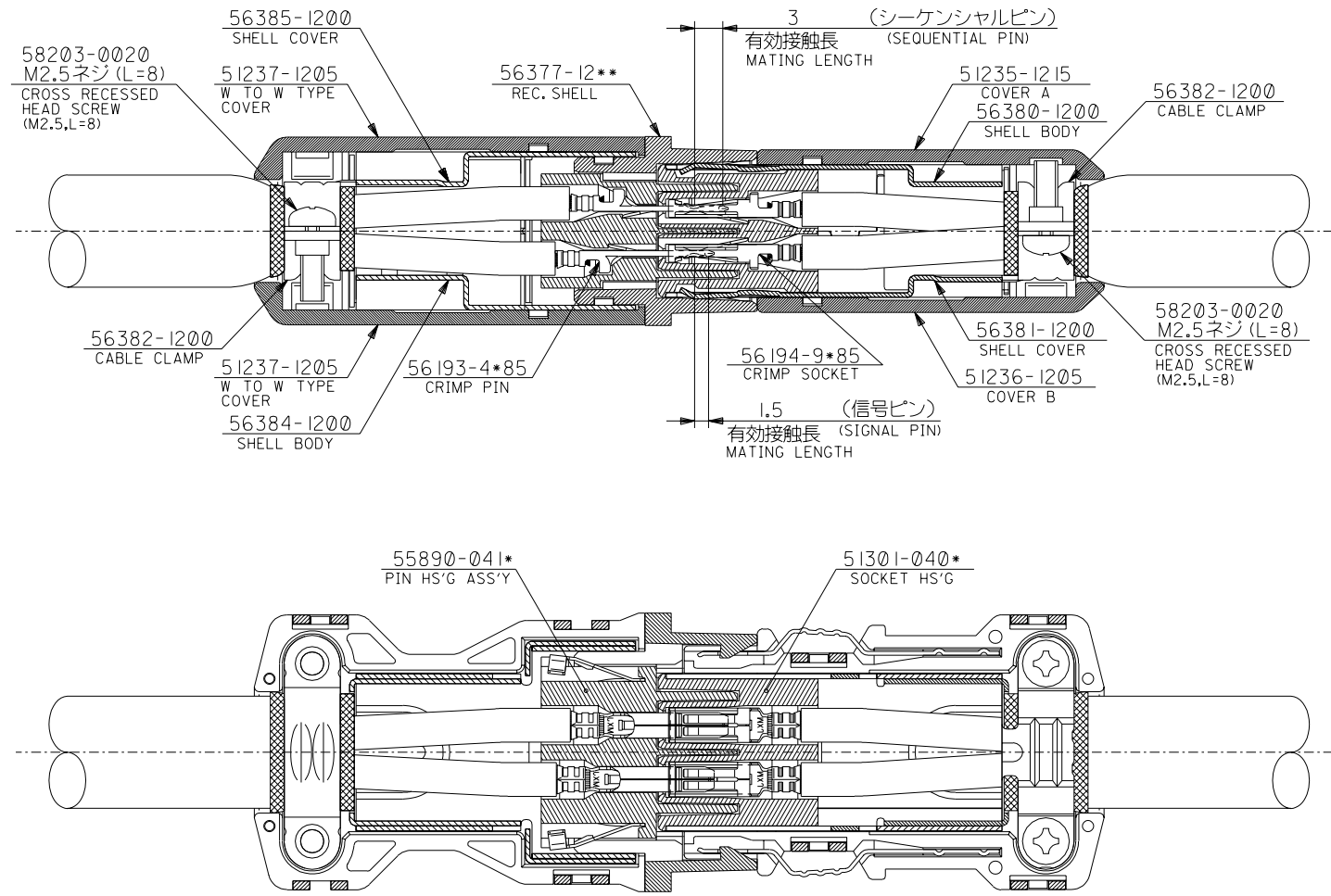
DO NOT SCALE DRAWING

EC NO. DRWN: CHK: APPR:	EC NO. DRWN: CHK: APPR:	EC NO. DRWN: CHK: APPR:	REVISED '02/04/15	MATERIAL 材料	GENERAL TOLERANCES: (UNLESS SPECIFIED) 一般公差	SCALE	DESIGN UNITS	THIRD ANGLE PROJECTION	DIMENSIONS:		SHT	REV
			EC NO. J2002-2601 DRWN: S.AKIYAMA CHK: J.MIYAZAWA APPR: YO.IITO			10 UNDER 未滿	2-1		<input type="checkbox"/> mm <input type="checkbox"/> INCH	<input checked="" type="checkbox"/> mm <input type="checkbox"/> ONLY		REVISE ON CAD ONLY
A	0		RELEASED '01/10/12 EC NO. J2002-0854 DRWN: S.AKIYAMA CHK: J.MIYAZAWA APPR: YO.IITO	FINISH 仕上げ	10 OVER 30 UNDER 以上 未滿	±0.25	DRAWN BY & DATE <i>S. Akigama</i> '01/10/11	TITLE: COMPACT ROBOT CONN. POWER REC. PIN HS'G ASS'Y				
				WIRE RANGE 適用 配線 範囲	30 OVER 以上	±0.3	CHECKED BY & DATE <i>J. Morawo</i>	MOLEX INCORPORATED				
				INS. RANGE 被覆 外径	ANGLE 角度	±3°	APPROVED BY & DATE <i>Y. Ito</i>	CAD FILENAME 55890003.S03	MATERIAL NO. SEE CHART	DRAWING NO. SD-55890-003	SHEET NO. 3 OF 4	SIZE B

THIS DRAWING CONTAINS INFORMATION THAT IS PROPRIETARY TO MOLEX INCORPORATED AND SHOULD NOT BE USED WITHOUT WRITTEN PERMISSION.

A
55890003.S03

DWG. NO. SD-55890-003



嵌合図 (中継タイプ)
CROSS-SECTION VIEW OF MATED CONNECTOR
(WIRE TO WIRE TYPE)

DO NOT SCALE DRAWING

EC NO. DRWN: CH'K: APPR:		EC NO. DRWN: CH'K: APPR:		EC NO. DRWN: CH'K: APPR:		REVISED '02/04/15 EC NO. J2002-2601 DRWN: S.AKIYAMA CH'K: J.MIYAZAWA APPR: YO.ITO		REVISED '01/10/12 EC NO. J2002-0854 DRWN: S.AKIYAMA CH'K: J.MIYAZAWA APPR: YO.ITO		MATERIAL 材料		GENERAL TOLERANCES: (UNLESS SPECIFIED) 一般公差		SCALE 2-1		DESIGN UNITS <input checked="" type="checkbox"/> mm <input type="checkbox"/> INCH		THIRD ANGLE PROJECTION		DIMENSIONS: <input type="checkbox"/> mm <input type="checkbox"/> INCH <input checked="" type="checkbox"/> mm ONLY		SHT REVISE ON CAD ONLY	
						DESCRIPTION		注記参照 SEE NOTES		FINISH 仕上げ		10 UNDER 未満		±0.2		DRAWN BY & DATE S. Akiyama '01/10/11		TITLE: COMPACT ROBOT CONN. POWER REC. PIN HS'G ASS'Y		MOLEX MOLEX INCORPORATED		SHEET NO. 4 OF 4	
						WIRE RANGE 適用配線範囲		#		10 OVER 30 UNDER 以上 未満		±0.25		CHECKED BY & DATE J. Morawo									
						INS. RANGE 被覆外径		#		30 OVER 以上		±0.3		APPROVED BY & DATE Y. Ota		CAD FILENAME 55890003.S04		MATERIAL NO. SEE CHART		DRAWING NO. SD-55890-003		SIZE B	
										ANGLE 角度		±3°		THIS DRAWING CONTAINS INFORMATION THAT IS PROPRIETARY TO MOLEX INCORPORATED AND SHOULD NOT BE USED WITHOUT WRITTEN PERMISSION.								EN-02J(097) MXJ-54	

55890003.S04