

PLEASE CHECK WWW.MOLEX.COM FOR LATEST PART INFORMATION

Part Number: [0436450900](#)
Status: **Active**
Overview: [microfit_30](#)
Description: 3.00mm (.118") Pitch Micro-Fit 3.0™ Receptacle Housing, Single Row, 9 Circuits

Documents:

[3D Model](#) [Product Specification PS-43650 \(PDF\)](#)
[Drawing \(PDF\)](#) [RoHS Certificate of Compliance \(PDF\)](#)

Agency Certification

CSA	LR19980
TUV	R72081037
UL	E29179

General

Product Family	Crimp Housings
Series	43645
Overview	microfit_30
Product Literature Order No	USA-106
Product Name	Micro-Fit 3.0™

Physical

Circuits (maximum)	9
Color - Resin	Black
Flammability	94V-0
Gender	Female
Glow-Wire Compliant	No
Keying to Mating Part	None
Lock to Mating Part	Yes
Material - Resin	Polyester
Number of Rows	1
Packaging Type	Bag
Panel Mount	No
Pitch - Mating Interface (in)	0.118 In
Pitch - Mating Interface (mm)	3.00 mm
Stackable	No
Temperature Range - Operating	-40°C to +105°C

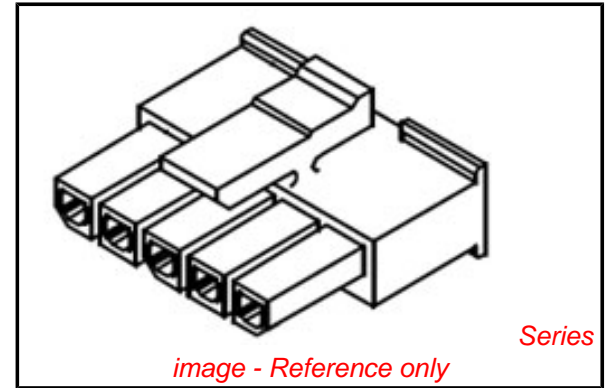
Electrical

Current - Maximum per Contact	5A
-------------------------------	----

Material Info

Reference - Drawing Numbers

Product Specification	PS-43650
Sales Drawing	SDA-43645-****



EU RoHS

ELV and RoHS Compliant
REACH SVHC
 Not Reviewed
Halogen-Free Status

China RoHS



Not Halogen-Free

Need more information on product environmental compliance?

Email productcompliance@molex.com
 For a multiple part number RoHS Certificate of Compliance, [click here](#)

Please visit the [Contact Us](#) section for any non-product compliance questions.

Search Parts in this Series

[43645Series](#)

Mates With

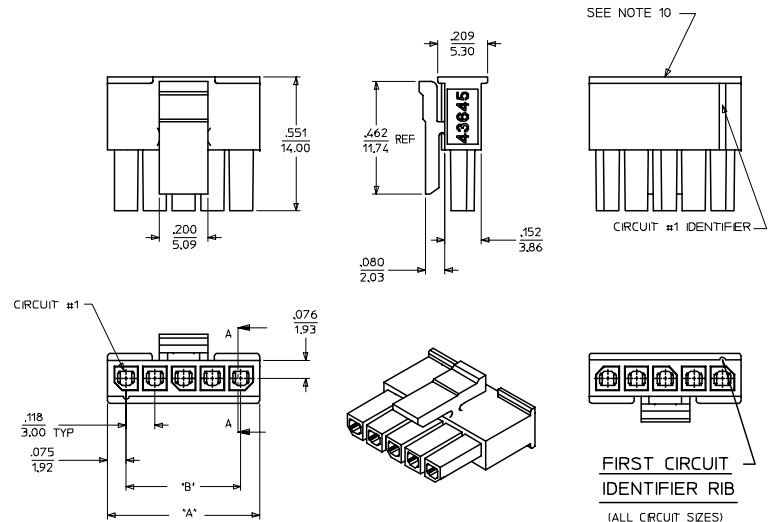
[43640](#) Micro-Fit 3.0™ Plug Housing, [43650](#) Micro-Fit 3.0™ Header

Use With

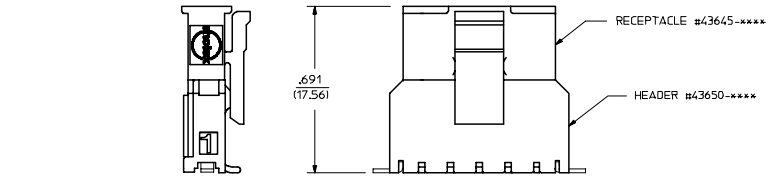
[43030](#) Micro-Fit 3.0™ Crimp Terminal

PLEASE CHECK WWW.MOLEX.COM FOR LATEST PART INFORMATION

20 19 18 17 16 15 14 13 12 11 10 9 8 7 6 5 4 3 2 1

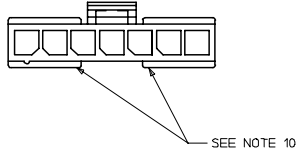
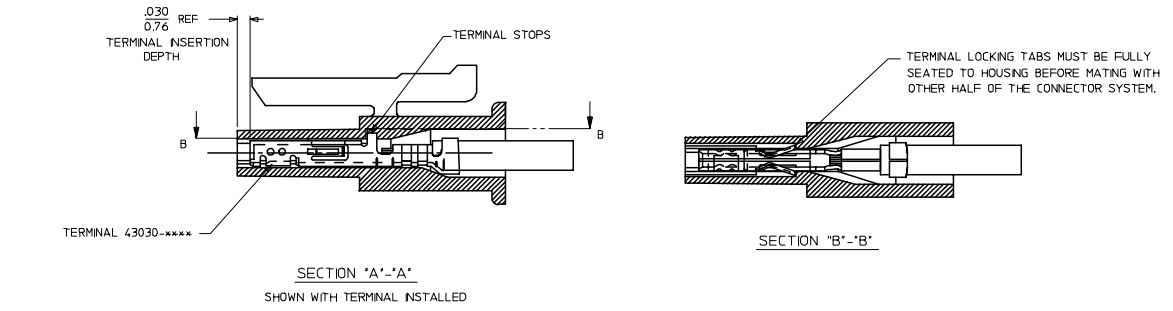
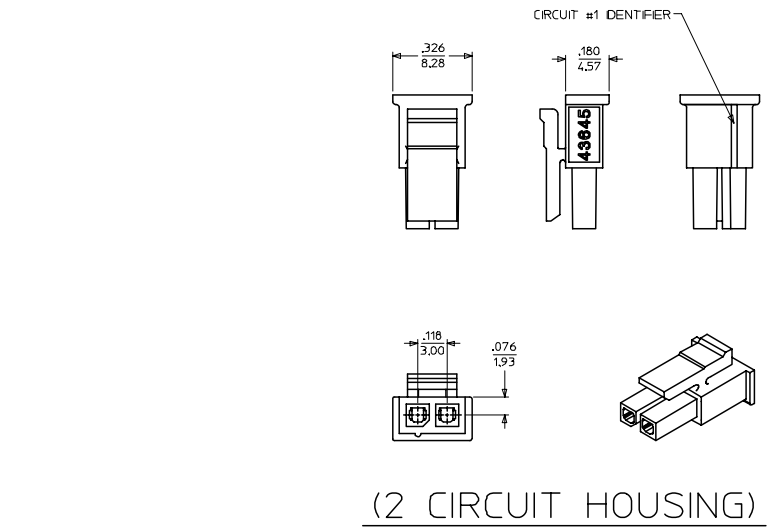


(3-12 CIRCUIT HOUSING)



MATED MICRO-FIT CONNECTOR

- NOTES:**
1. MATERIAL : POLYESTER (PBT), UL94V-0, COLOR - BLACK
 2. FINISH : N/A
 3. PRODUCT SPECIFICATION : PS-43650
 4. THIS RECEPTACLE ACCEPTS MOLEX MICRO FIT FEMALE CRIMP TERMINALS ONLY. SEE MOLEX DRAWING SD-43030-**** FOR SPECIFICATIONS.
 5. SEE SECTION 'A'-'A' FOR TERMINAL ORIENTATION IN HOUSING.
 6. FOR OVERMOLDING PARAMETERS SEE ENGINEERING SPECIFICATION #SDES-43025-1000.
 7. THIS RECEPTACLE MATES WITH MOLEX PCB HEADER 43650 SERIES AND MOLEX PLUG 43640 SERIES (WIRE TO WIRE APPLICATIONS).
 8. SOME HOUSINGS MAY HAVE A SMALL GATE BLEMISH NEAR THE GATE LOCATION THAT DOES NOT AFFECT FUNCTIONALITY.
 9. MOLEX RECOMMENDS THE USE OF MICRO-FIT TEST PLUG, SERIES 44242-**** WHENEVER CONTINUITY TESTING IS PERFORMED. TEST PLUGS MUST NOT BE USED TO MAKE OR BREAK UNDER LOAD. MOLEX DOES NOT RECOMMEND USING STANDARD MATING COMPONENTS FOR HARNESS TESTING PURPOSES.
 10. THIS RIB IS DISCONTINUOUS ON CIRCUIT SIZES 7 THROUGH 12.
 11. PART CONFORMS TO CLASS 'B' REQUIREMENTS OF COSMETIC SPECIFICATION PS-45499-002.



ITEM NUMBER	NUMBER OF CIRCUIT	DM. 'A'	DM. 'B'
43645-0200	02	SEE DETAIL	.118/(3.00)
43645-0300	03	.388/(9.85)	.236/(6.00)
43645-0400	04	.506/(12.85)	.354/(9.00)
43645-0500	05	.624/(15.85)	.472/(12.00)
43645-0600	06	.742/(18.85)	.591/(15.00)
43645-0700	07	.860/(21.85)	.709/(18.00)
43645-0800	08	.978/(24.85)	.827/(21.00)
43645-0900	09	1.096/(27.85)	.945/(24.00)
43645-1000	10	1.215/(30.85)	1.063/(27.00)
43645-1100	11	1.333/(33.85)	1.181/(30.00)
43645-1200	12	1.451/(36.85)	1.299/(33.00)

UPDATE NOTE 8 DEC NO: UCP2008-0920 DRAWN BY: J.P.P. 2007/10/23 CHKD BY: S.M. 2007/10/26 APPR: S.M. 2007/10/29	QUALITY SYMBOLS ▽=0 ▽=0	GENERAL TOLERANCES (UNLESS SPECIFIED) DIM INCH ± .010 DIM MM ± .25	DIMENSION STYLE IN/MM	SCALE 4:1	DESIGN UNITS METRIC	THIRD ANGLE PROJECTION
		4 PLACES ± .010 3 PLACES ± .014 2 PLACES ± .014 1 PLACE ± .035 ± .014 ANGULAR ±1/2°	DRAWN BY: A.F.G. DATE: 1995/11/15 CHECKED BY: B.A.P. DATE: 1995/11/15 APPROVED BY: R.J.F. DATE: 1995/11/15	TITLE MICRO-FIT (3.0) 2 THRU 12 SINGLE ROW RECEPTACLE		
		DRAFT WHERE APPLICABLE MUST REMAIN WITHIN DIMENSIONS	SEE CHART	MOLEX INCORPORATED SDA-43645-****		
		MATERIAL NO. _____ DOCUMENT NO. _____ SHEET NO. 1 OF 1	THIS DRAWING CONTAINS INFORMATION THAT IS PROPRIETARY TO MOLEX INCORPORATED AND SHOULD NOT BE USED WITHOUT WRITTEN PERMISSION			