

**PLEASE CHECK WWW.MOLEX.COM FOR LATEST PART INFORMATION**

**Part Number:** [0359600300](#)  
**Status:** **Active**  
**Description:** 8.30/10.00mm (.327/.394") Pitch Wire-to-Board Header, Vertical, 6.35mm (.250") Tab, 3 Circuits, White

**Documents:**

[3D Model](#) [Product Specification PS-35960-001 \(PDF\)](#)  
[Drawing \(PDF\)](#) [RoHS Certificate of Compliance \(PDF\)](#)

**Agency Certification**

UL E29179

**General**

Product Family PCB Headers  
 Series [35960](#)  
 Application Wire-to-Board  
 Product Name N/A

**Physical**

Breakaway No  
 Circuits (Loaded) 3  
 Circuits (maximum) 3  
 Durability (mating cycles max) 30  
 First Mate / Last Break No  
 Flammability 94V-2  
 Glow-Wire Compliant No  
 Guide to Mating Part No  
 Keying to Mating Part None  
 Lock to Mating Part None  
 Material - Plating Mating Tin  
 Number of Rows 1  
 Orientation Vertical  
 PC Tail Length (in) 0.138 In  
 PC Tail Length (mm) 3.50 mm  
 PCB Locator Yes  
 PCB Retention None  
 PCB Thickness Recommended (in) 0.062 In  
 PCB Thickness Recommended (mm) 1.60 mm  
 Packaging Type Bag  
 Pitch - Mating Interface (in) 0.327 In, 0.394 In  
 Pitch - Mating Interface (mm) 10.00 mm, 8.30 mm  
 Polarized to Mating Part No  
 Polarized to PCB Yes  
 Shrouded No  
 Temperature Range - Operating -40°C to +105°C  
 Termination Interface: Style Through Hole

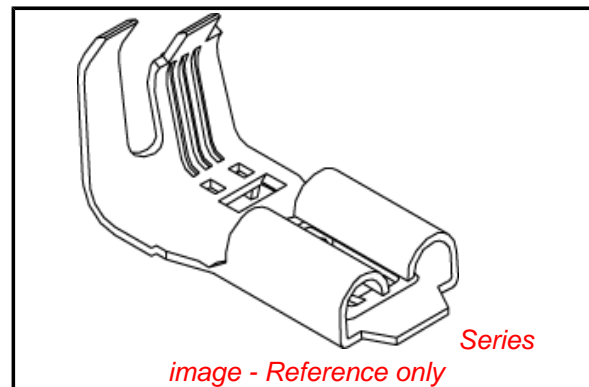
**Electrical**

Current - Maximum per Contact 25A  
 Voltage - Maximum 300V

**Material Info**

**Reference - Drawing Numbers**

Product Specification PS-35960-001  
 Sales Drawing SD-35960-001



**EU RoHS**

**ELV and RoHS Compliant**  
**REACH SVHC**  
 Not Reviewed  
**Halogen-Free Status**

**China RoHS**



**Need more information on product environmental compliance?**

Email [productcompliance@molex.com](mailto:productcompliance@molex.com)  
 For a multiple part number RoHS Certificate of Compliance, [click here](#)

Please visit the [Contact Us](#) section for any non-product compliance questions.

**Search Parts in this Series**

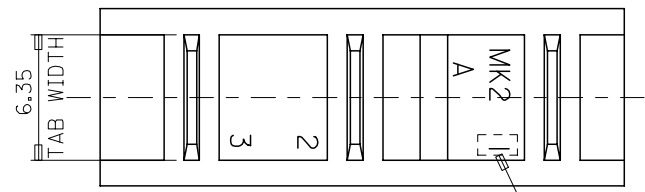
[35960Series](#)

**Use With**

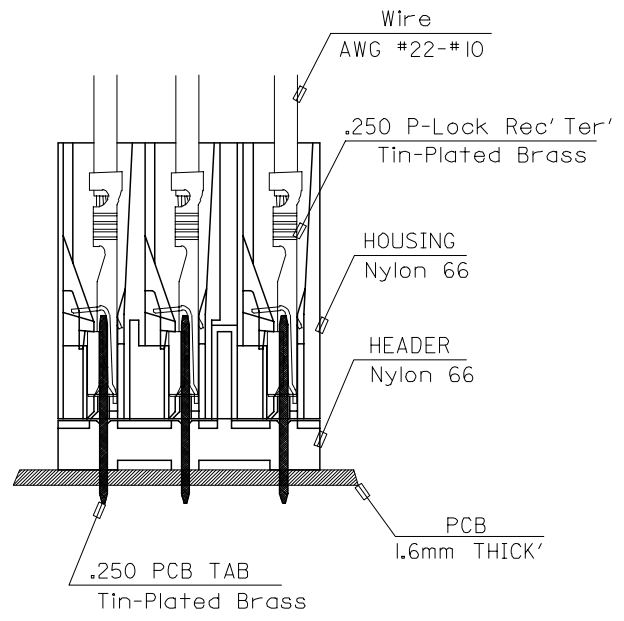
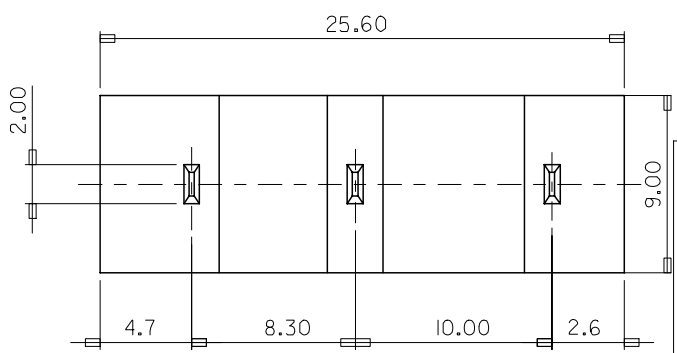
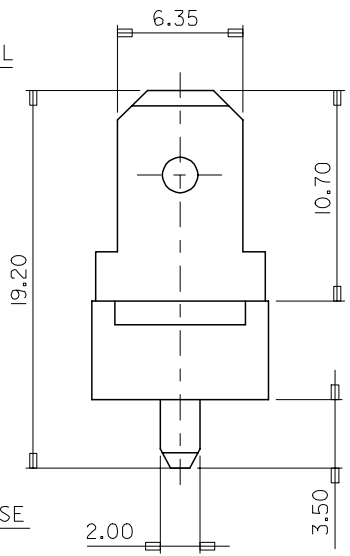
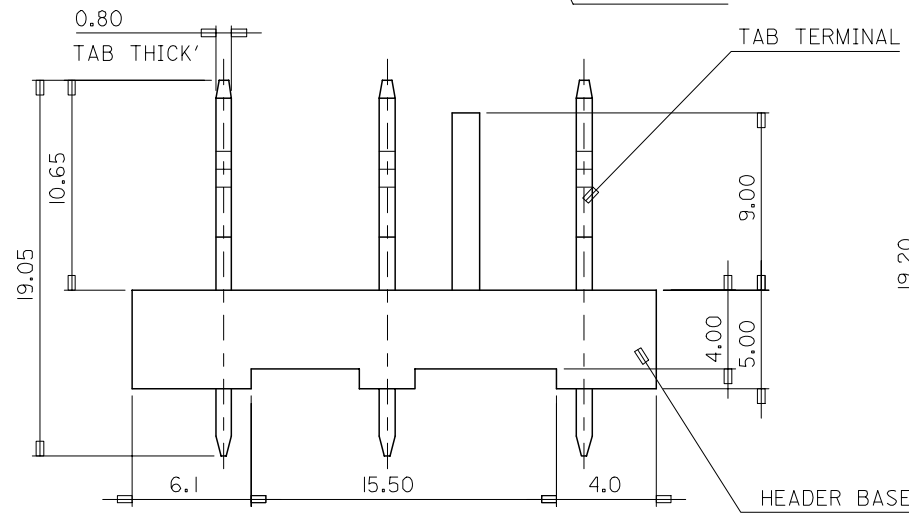
[35072 MP-Lock™ Quick Disconnect](#)

This document was generated on 04/14/2010

**PLEASE CHECK [WWW.MOLEX.COM](http://WWW.MOLEX.COM) FOR LATEST PART INFORMATION**



CIRCUIT NO.



ASS'Y PART

NOTES

- MATERIAL : HEADER BASE: NYLON66 UL94V-2  
TAB TERMINAL : TIN PLATED BRASS
- MATES WITH : 35959-0300

MATERIAL NO.	ENG NO.	COLOR
359600300	35960-0300	NATURAL
359600302	35960-0302	RED

REVISED  
 EC NO: KOR2008-0062  
 DRWN:SKHAN 2007/09/27  
 CHKD:WY YANG 2007/09/27  
 APPR: YUNSIKKIM 2007/09/27

QUALITY SYMBOLS  
 ▽=0  
 ▽=0

GENERAL TOLERANCES (UNLESS SPECIFIED)

	mm	INCH
4 PLACES	± ---	± ---
3 PLACES	± ---	± ---
2 PLACES	± 0.3	± ---
1 PLACE	± 0.3	± ---
ANGULAR ± 1 °		

DRAFT WHERE APPLICABLE  
 MUST REMAIN WITHIN DIMENSIONS

DIMENSION STYLE  
 MM ONLY

DRAWN BY	DATE
WY.YANG	1998/04/10
CHECKED BY	DATE
BK.CHOI	1998/04/10
APPROVED BY	DATE
CW.LEE	1998/04/10

SIZE  
 A3

SCALE  
 4:1

DESIGN UNITS  
 METRIC

THIRD ANGLE PROJECTION

TITLE  
 .250 W/B HEADER-3P

MATERIAL NO.  
 SD-35960-001

DOCUMENT NO.

SHEET NO.  
 1 OF 01

THIS DRAWING CONTAINS INFORMATION THAT IS PROPRIETARY TO MOLEX INCORPORATED AND SHOULD NOT BE USED WITHOUT WRITTEN PERMISSION