

PLEASE CHECK WWW.MOLEX.COM FOR LATEST PART INFORMATION

Part Number: **0191270012**
Status: **Active**
Description: Avikrimp™ Flanged Spade Tongue Terminal for 22-18 AWG Wire, Stud Size 10

Documents:

[Drawing \(PDF\)](#) [RoHS Certificate of Compliance \(PDF\)](#)

Agency Certification

CSA LR18689
 UL E32244

General

Product Family Ring and Spade Terminals
 Series 19127
 Crimp Quality Equipment Yes
 Mil-Spec N/A
 Product Name Avikrimp™
 Type Spade

Physical

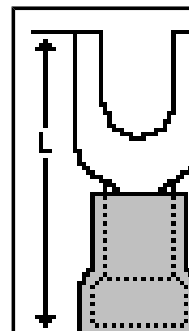
Barrel Type Closed
 Flammability 94V-0
 Insulation Nylon (PA)
 Material - Plating Mating Tin
 Packaging Type Bag
 Stud Size 10 (M5)
 Wire Insulation Diameter 3.56mm (.140") max.
 Wire Size AWG 18, 20, 22
 Wire Size mm² 0.25 - 1.50

Material Info

Old Part Number AA-815-10

Reference - Drawing Numbers

Sales Drawing SD-19127-003



Series image - Reference only

EU RoHS

**ELV and RoHS
 Compliant**
REACH SVHC
 Not Reviewed
**Halogen-Free
 Status**
Not Reviewed

China RoHS



**Need more information on product
 environmental compliance?**

Email productcompliance@molex.com
 For a multiple part number RoHS Certificate of
 Compliance, [click here](#)

Please visit the [Contact Us](#) section for any
 non-product compliance questions.

Search Parts in this Series

19127Series

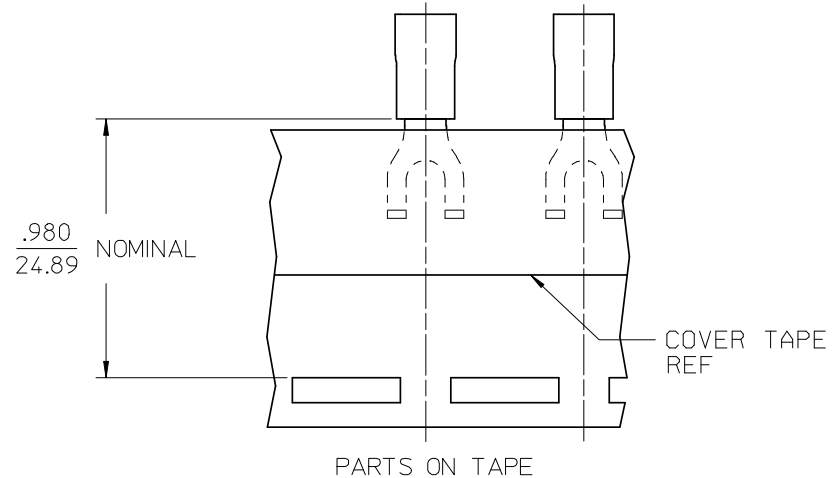
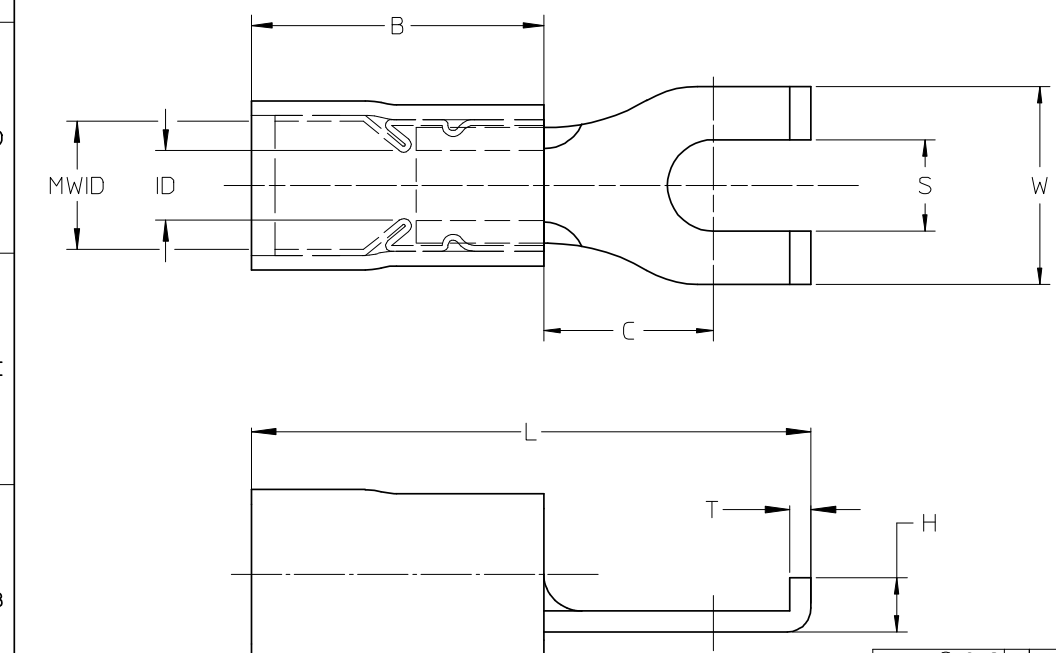
Application Tooling | [FAQ](#)

*Tooling specifications and manuals are
 found by selecting the products below.
 Crimp Height Specifications are then
 contained in the Application Tooling
 Specification document.*

Global

| Description | Product # |
|--|----------------------------|
| Hand Crimp Tool | 0640010100 |
| Hand Crimp Tool | 0640011200 |
| Crimp Head for the AT-200™ Pneumatic Hand Tool | 0640050100 |
| Crimp Head for the AT-200™ Pneumatic Hand Tool | 0640051200 |

| LOOSE PIECE | | TAPE MOUNTED | | DIMENSIONS | | | | | | | | | | FINISH |
|-----------------|--------------------|-----------------|--------------------|------------|--------------|--------------|---------------|-----------|-----------|------------|----------------|---------|-----------|------------------|
| MATERIAL NUMBER | ENGINEERING NUMBER | MATERIAL NUMBER | ENGINEERING NUMBER | STUD SIZE | S ±.005 | W MAX | C MIN | ID MIN | MWID | B REF | L MAX | H REF | T REF | INSULATION COLOR |
| 191270007 | AA-815-06 | 191270009 | AA-815-06T | 6 | .146/3.71 | .301/7.6 | .207/5.3 | .054/1.37 | .138/3.51 | .400/10.16 | .781/19.84 | .08/2.0 | .031/0.79 | RED |
| 191270010 | AA-815-08 | 191270011 | AA-815-08T | 8 | .173/4.39 | .301/7.6 | .207/5.3 | .054/1.37 | .138/3.51 | .400/10.16 | .781/19.84 | .08/2.0 | .031/0.79 | RED |
| 191270012 | AA-815-10 | 191270013 | AA-815-10T | 10 | .198/5.03 | .301/7.6 | .207/5.3 | .054/1.37 | .138/3.51 | .400/10.16 | .781/19.84 | .08/2.0 | .031/0.79 | RED |
| 191270039 | BB-816-06 | 191270041 | BB-816-06T | 6 | .146/3.71 | .301/7.6 | .209/5.3 | .081/2.06 | .165/4.19 | .400/10.16 | .810/20.32 | .08/2.0 | .031/0.79 | BLUE |
| 191270042 | BB-816-08 | 191270044 | BB-816-08T | 8 | .173/4.39 | .301/7.6 | .209/5.3 | .081/2.06 | .165/4.19 | .400/10.16 | .810/20.32 | .08/2.0 | .031/0.79 | BLUE |
| 191270099 | BB-816-10 | 191270045 | BB-816-10T | 10 | .198/5.03 | .301/7.6 | .209/5.3 | .081/2.06 | .165/4.19 | .400/10.16 | .810/20.32 | .08/2.0 | .031/0.79 | BLUE |
| 191270083 | C-817-06 | 191270084 | C-817-06T | 6 | .146/3.71 | .345/8.8 (A) | .270/6.85 (A) | .128/3.25 | .225/5.71 | .560/14.22 | 1.026/26.1 (A) | .10/2.5 | .040/1.02 | YELLOW |
| 191270086 | C-817-08 | 191270087 | C-817-08T | 8 | .173/4.39 | .385/9.8 | .270/6.85 (A) | .128/3.25 | .225/5.71 | .560/14.22 | 1.026/26.1 (A) | .10/2.5 | .040/1.02 | YELLOW |
| 191270089 | C-817-10 | 191270090 | C-817-10T | 10 | .209/5.3 (A) | .385/9.8 | .270/6.85 (A) | .128/3.25 | .225/5.71 | .560/14.22 | 1.026/26.1 (A) | .10/2.5 | .040/1.02 | YELLOW |



SALES DRAWING

- NOTES:
1. MATERIAL: COPPER
 2. PLATING: ELECTRO-TIN
 3. MWID = MAXIMUM WIRE INSULATION DIAMETER
 4. PART IS RoHS COMPLIANT

| | | | | | | | | | | |
|---|--|---------------------------------------|--------------|-----------------|---|--|---|------------------------|--|--|
| 12-10 TO ALT DIE DIMS EC NO: ETC2008-0012 DRWN: RSTONE 2007/11/26 CHKD: MACNEIL 2007/11/26 APPR: MACNEIL 2007/12/05 | QUALITY SYMBOLS | GENERAL TOLERANCES (UNLESS SPECIFIED) | | DIMENSION STYLE | | SCALE | DESIGN UNITS | THIRD ANGLE PROJECTION | | |
| | ▽=0 ∇=0 | mm | INCH | IN/MM | | 4:1 | INCH | | | |
| | | 4 PLACES ±--- | ±--- | DRAWN BY | | DATE | TITLE FLANGED SPADE TERMINAL, AVIKRIMP -800 SERIES | | | |
| | | 3 PLACES ±--- | ±.005 | DLM | | 2003/08/25 | | | | |
| | 2 PLACES ±0.13 | ±.01 | CHECKED BY | | DATE | MOLEX INCORPORATED | | | | |
| | 1 PLACE ±0.25 | ±--- | HEB | | 2003/08/25 | | | | | |
| | ANGULAR ±1/2° | | APPROVED BY | | DATE | DOCUMENT NO. SD-19127-003 SHEET NO. 1 OF 1 | | | | |
| | DRAFT WHERE APPLICABLE MUST REMAIN WITHIN DIMENSIONS | | RWD | | 2003/08/25 | | | | | |
| | | | MATERIAL NO. | | SEE CHART | | | | | |
| | | | SIZE | | THIS DRAWING CONTAINS INFORMATION THAT IS PROPRIETARY TO MOLEX INCORPORATED AND SHOULD NOT BE USED WITHOUT WRITTEN PERMISSION | | | | | |