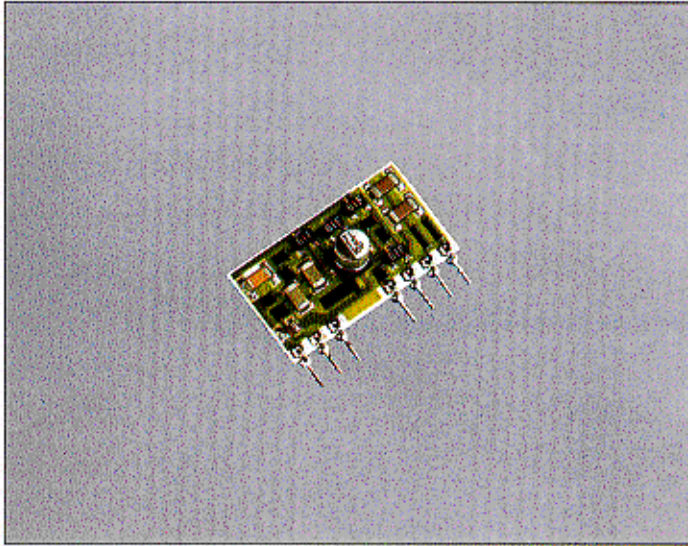




SG1

Tremolo / Vibrato Generator



General description

The SG1 is an hybrid circuit that allows to realize a sound effects generator for musical instruments (Guitar and Keyboard) and voice equipment amplifiers.

The hybrid integrates the following modules:

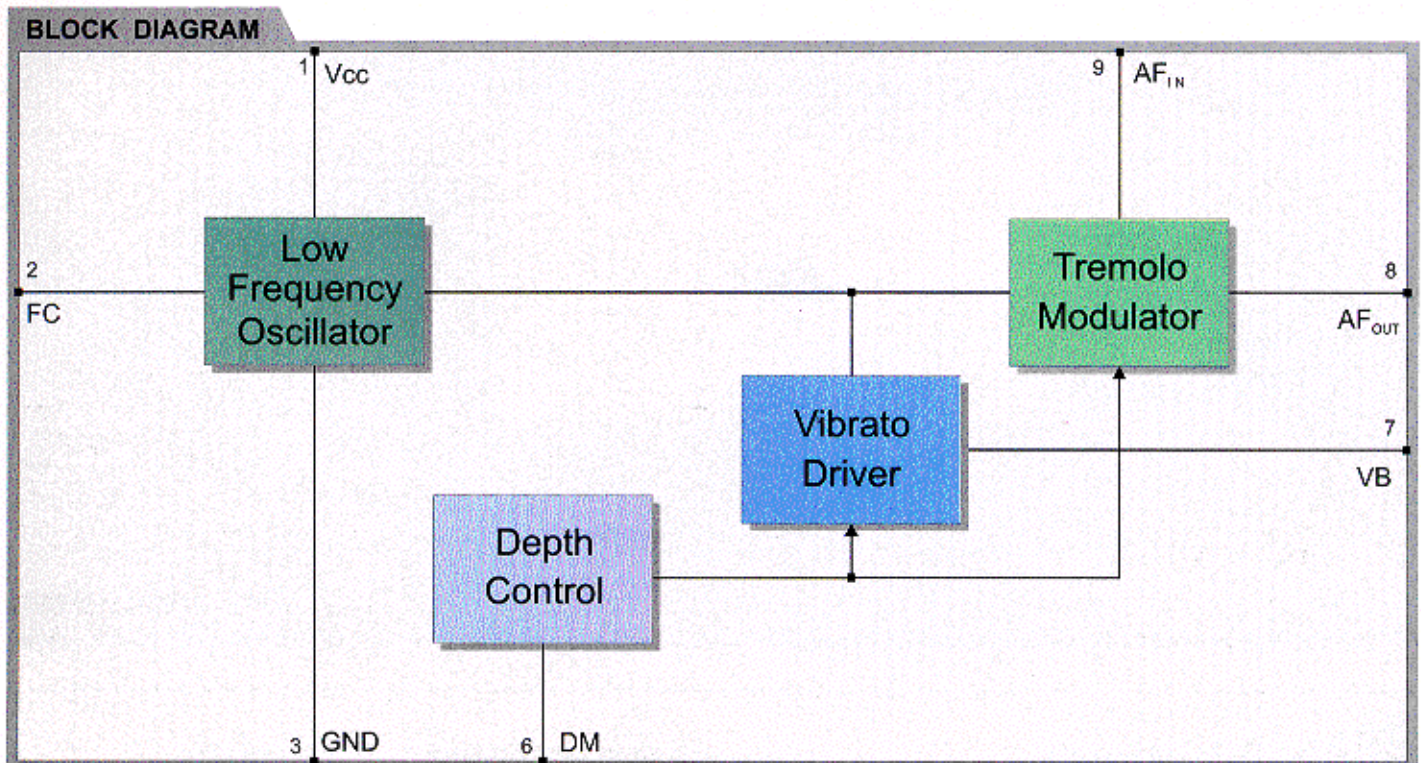
- Very Low Frequency oscillator (2-9 Hz)
- Tremolo Amplitude Modulator
- Vibrato Driver (voltage controlled impedance) for phase or frequency external modulator

Features

- SIL Package
- Thick film hybrid technology

Applications

- Guitar / Keyboard Amplifier
- Voice Equipment Amplifier



Electrical Characteristics

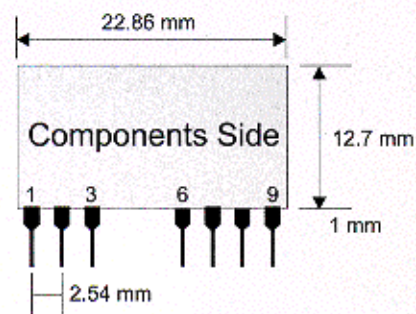
Ta = 25°C unless otherwise specified

CHARACTERISTICS	MIN	TYP	MAX	UNIT
V _{cc} Supply Voltage	9	15	30	VDC
I _b Supply Current (V _{cc} = 15V)		2.5	2.7	mA
F _o Frequency Oscillator	2		9	Hz
V _i AF Input Signal		80	100	mVRMS
T _{op} Operating Temperature Range	-20		+80	°C

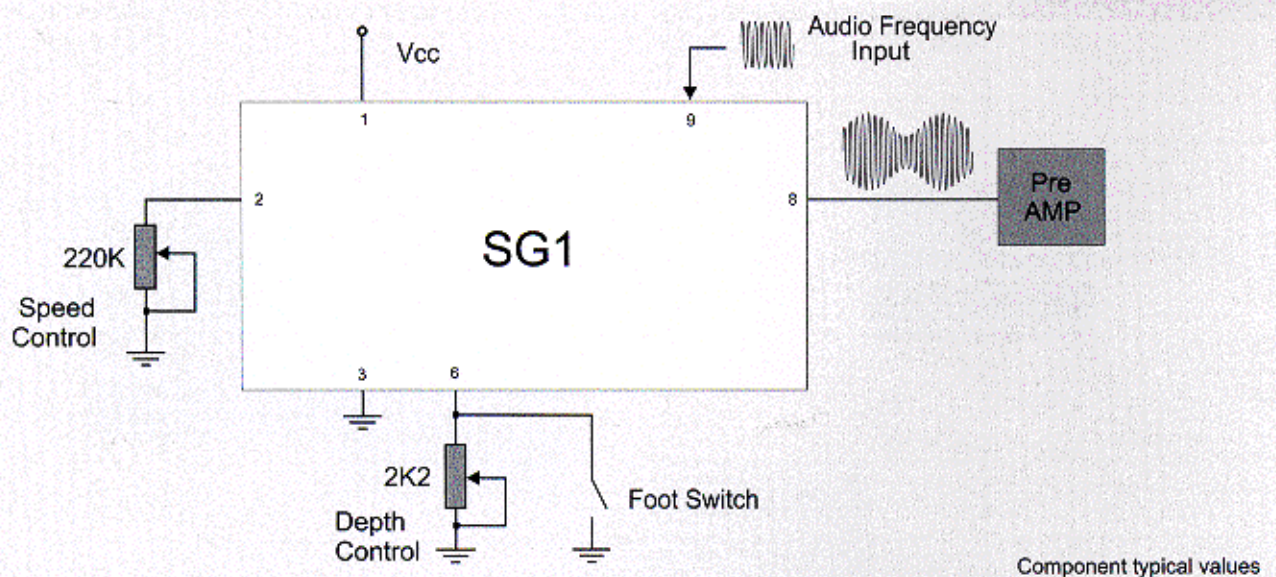
Pin Description

1	V _{cc}	Supply Voltage
2	FC	Speedy Control
3	GND	Ground
6	DC	Depth Control
7	VB	Vibrato Driver Output
8	AFout	Tremolo Audio Frequency Output
9	AFin	Tremolo Audio Frequency Input

Mechanical Dimensions



TYPICAL APPLICATION



R. F. Solutions Ltd.,
Unit 21, Cliffe Industrial Estate,
South Street,
Lewes,
E Sussex, BN8 6JL. England.

Tel +44 (0)1273 898 000. Fax +44 (0)1273 480 661.
Email sales@rfsolutions.co.uk <http://www.rfsolutions.co.uk>

RF Solutions is a member of the Low Power Radio Association.