

LZZ501PS  
(ON ENIMVHD)台架図

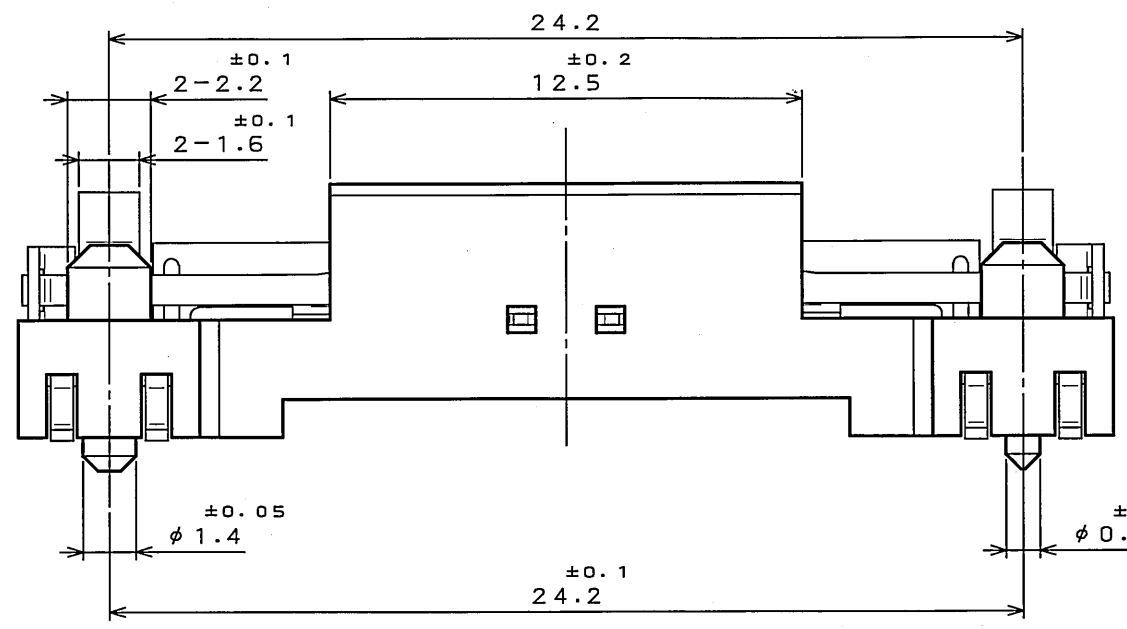
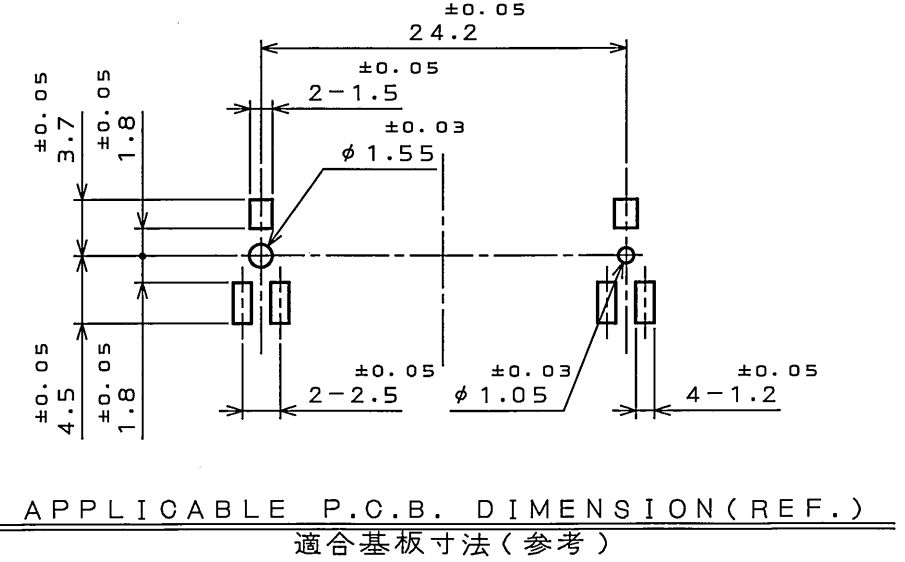
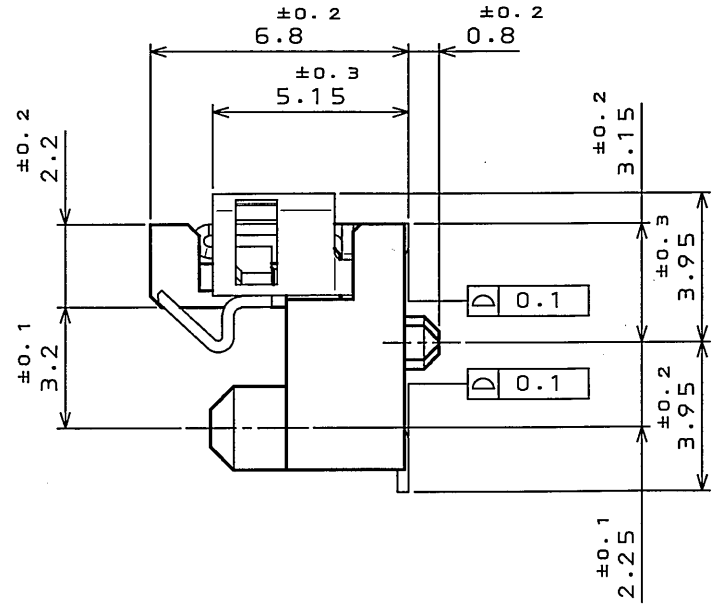
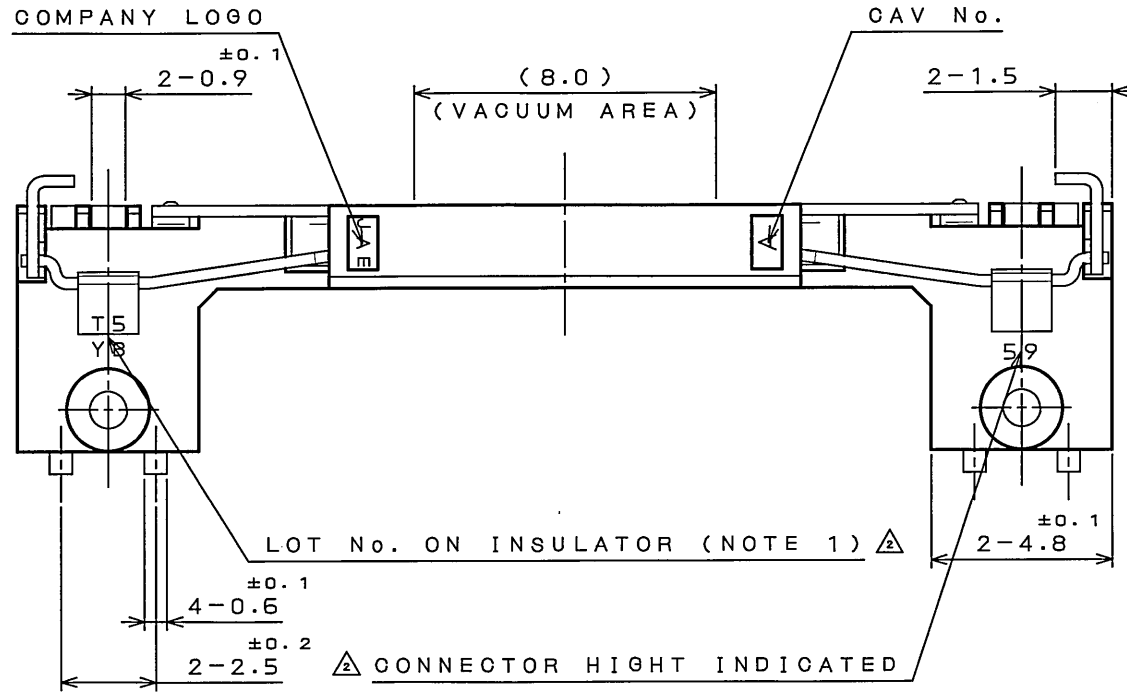
版数 REV.	年月日 DATE	DCN NO.	変更内容 DESCRIPTION	製図 DR.	担当 CHK.	査閲 APPD.	承認 APPD.
2	23.Jan.2006	059045	CHANGED LOT No. INDICATION METHOD		Y.YAHIRO		K.HISATOMI

DESIGNATION

MM60-EZH059-B5

SERIES PREFIX  
LATCH TYPE  
5.9mm: CONNECTOR HIGHT

CONTACT FINISH  
5:TIN PLATING  
WITH BOSS



NOTE 1. PRODUCTION LOT No. AS INDICATED.  
(Ex.) T5YB  
LOT NUMBER OF CURRENT MONTH  
MONTH (1 TO 9 FOR JAN. TO SEPT. RESPECTIVELY,  
OCT.:0, NOV.:X, DEC.:Y)  
YEAR (LAST DIGIT ONLY)  
MANUFACTURE CODE

NOTE 2. REFER THE DRAWING SJ105219(MM60-52B1-E\*) FOR CONNECTOR DIMENSIONS.

2	INSULATOR	1	THERMOPLASTIC	UL94 V-0
1	CONTACT	1	STAINLESS	TIN PLATING
符号 NO.	名称 DESCRIPTION	個数 QTY.	材料 MATERIAL	仕上 FINISH
仕様書(SPECIFICATION)	JACS-10313	第1版(ORIGINAL DATE) 5.Dec.2005	尺度(SCALE) 5:1	シリーズ(SERIES) MM60
公差差(GENERAL TOLERANCE)		製図 DR.	名称(TITLE) MM60	日本航空電子工業株式会社 JAPAN AVIATION ELECTRONICS INDUSTRY, LTD.
寸法(DIMENSION)	角度(ANGLES)	担当 CHK. Y.YAHIRO	MM60 -EZH059-B5	
. $\pm 0.8$	$\times^\circ \pm$	査閲 APPD.		
.X $\pm 0.4$	$\times^\circ \times \pm$	承認 APPD. K.HISATOMI		
.XX $\pm 0.1$			質量(MASS)	図面番号(DRAWING NO.) SJ105221
.XXX $\pm$				版数 (REV.) 2

DDF-0-212F(05.08)

