

**PLEASE CHECK WWW.MOLEX.COM FOR LATEST PART INFORMATION**

**Part Number:** [0015060241](#)  
**Status:** **Active**  
**Overview:** [minifit\\_bmi](#)  
**Description:** 4.20mm (.165") Pitch Mini-Fit BMI™ Receptacle Housing, Dual Row with Panel Mount Ears, PA Polyamide Nylon 6/6, UL 94V-0, 24 Circuits

**Documents:**

[3D Model](#) [Product Specification PS-5556-002 \(PDF\)](#)  
[Drawing \(PDF\)](#) [RoHS Certificate of Compliance \(PDF\)](#)

**Agency Certification**

CSA	LR19980
TUV	R72081037
UL	E29179

**General**

Product Family	Crimp Housings
Series	<a href="#">42474</a>
Comments	Current = 13A max. per circuit when header is mated to a receptacle loaded with <a href="#">45750</a> series terminals crimped to 16 AWG wire. . See Molex product specification PS-45750-001 for additional current de-rating information.

Overview	<a href="#">minifit_bmi</a>
Product Name	Mini-Fit BMI™

**Physical**

Breakaway	No
Circuits (maximum)	24
Color - Resin	Natural (White)
Flammability	94V-0, 94V-2
Gender	Female
Glow-Wire Compliant	No
Lock to Mating Part	None
Material - Resin	Nylon
Number of Rows	2
Packaging Type	Bag
Panel Mount	Yes
Pitch - Mating Interface (in)	0.165 In
Pitch - Mating Interface (mm)	4.20 mm
Polarized to Mating Part	Yes
Stackable	No
Temperature Range - Operating	-40°C to +105°C

**Electrical**

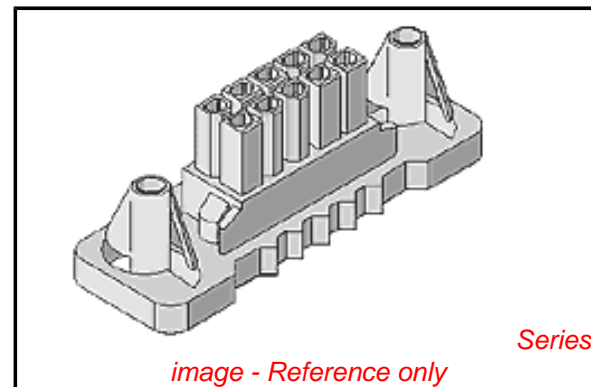
Current - Maximum per Contact	13A
-------------------------------	-----

**Material Info**

Old Part Number	42474-2421
-----------------	------------

**Reference - Drawing Numbers**

Packaging Specification	PK-42474-001
Product Specification	PS-5556-002
Sales Drawing	SD-42474-****
Test Summary	TS-5556-002



**EU RoHS**

**ELV and RoHS Compliant**  
**REACH SVHC**  
 Not Reviewed  
**Halogen-Free Status**

**China RoHS**



**Halogen-Free**

**Need more information on product environmental compliance?**

Email [productcompliance@molex.com](mailto:productcompliance@molex.com)  
 For a multiple part number RoHS Certificate of Compliance, [click here](#)

Please visit the [Contact Us](#) section for any non-product compliance questions.

**Search Parts in this Series**

[42474Series](#)

**Mates With**

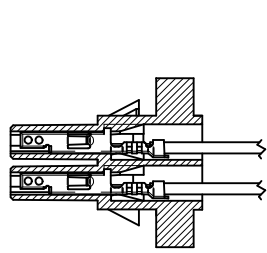
[42475](#) Mini-Fit BMI™ Plug Housing. [43879](#) MiniFit CPI™ Header. Mini-Fit BMI™ Header [42404](#) , [42440](#). Mini-Fit SMC™ Surface Mount Compatible Header [43810](#) , [44068](#)

**Use With**

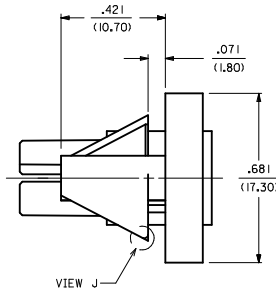
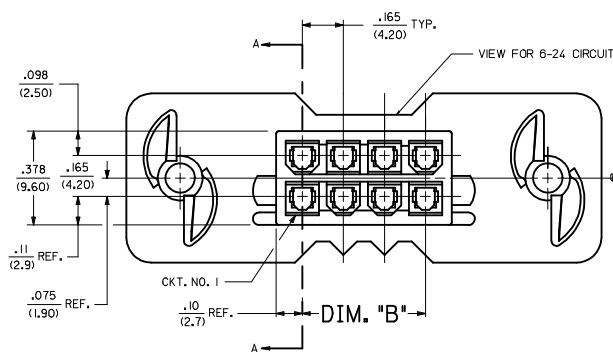
[5556](#) Mini-Fit™ Crimp Terminal

This document was generated on 05/27/2010

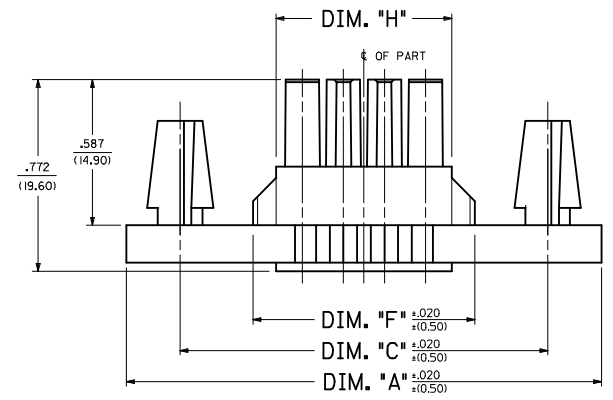
**PLEASE CHECK [WWW.MOLEX.COM](http://WWW.MOLEX.COM) FOR LATEST PART INFORMATION**



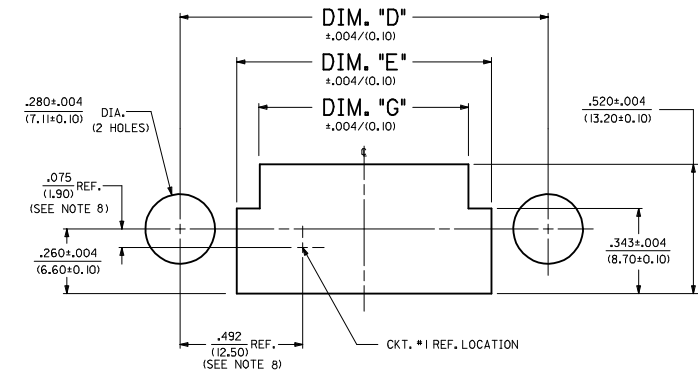
SECTION "A-A"  
TERMINAL ORIENTATION



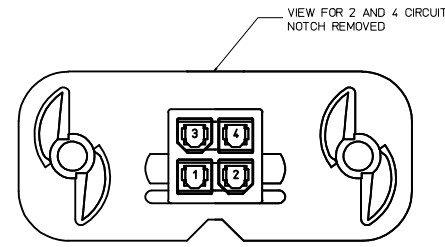
THIS AREA CAN BE SHARP OR RADIUS



2-8 & 12-24 CIRCUIT HEADER  
(SEE SHEET 2 FOR 10 CIRCUIT HEADER DESIGN)



RECOMMENDED PANEL CUT-OUT FOR .050±.012/(L27±0.30) THICK PANEL  
(SEE NOTE 11)



VIEW FOR 2 AND 4 CIRCUIT NOTCH REMOVED

CKT. SIZE	DIM. 'A'	DIM. 'B'	DIM. 'C'	DIM. 'D'	DIM. 'E'	DIM. 'F'	DIM. 'G'	DIM. 'H'
2	1.417 (36.00)	N/A	.984 (25.00)	.984 (25.00)	.528 (13.40)	.398 (10.10)	.343 (8.70)	.213 (5.40)
4	1.583 (40.20)	.165 (4.20)	1.150 (29.20)	1.150 (29.20)	.695 (17.60)	.563 (14.30)	.508 (12.90)	.378 (9.60)
6	1.748 (44.40)	.331 (8.40)	1.315 (33.40)	1.315 (33.40)	1.128 (28.40)	.798 (20.30)	.673 (17.10)	.443 (11.30)
8	1.913 (48.60)	.496 (12.60)	1.480 (37.60)	1.480 (37.60)	1.204 (30.60)	.894 (22.70)	.839 (21.30)	.709 (18.00)
10	2.078 (52.80)	.661 (16.80)	1.645 (41.80)	1.645 (41.80)	1.389 (35.20)	1.099 (27.90)	1.004 (25.50)	.874 (22.20)
12	2.244 (57.00)	.827 (21.00)	1.811 (46.00)	1.811 (46.00)	1.354 (34.40)	1.224 (31.10)	1.169 (29.70)	1.039 (26.40)
14	2.409 (61.20)	.992 (25.20)	1.976 (50.20)	1.976 (50.20)	1.520 (38.60)	1.390 (35.30)	1.335 (33.90)	1.205 (30.60)
16	2.575 (65.40)	1.157 (29.40)	2.142 (54.40)	2.142 (54.40)	1.685 (42.80)	1.555 (39.50)	1.500 (38.10)	1.370 (34.80)
18	2.740 (69.60)	1.323 (33.60)	2.307 (58.60)	2.307 (58.60)	1.850 (47.00)	1.720 (43.70)	1.665 (42.30)	1.535 (39.00)
20	2.906 (73.80)	1.488 (37.80)	2.472 (62.80)	2.472 (62.80)	2.016 (51.20)	1.886 (47.80)	1.831 (46.50)	1.701 (43.20)
22	3.071 (78.00)	1.653 (42.00)	2.638 (67.00)	2.638 (67.00)	2.181 (55.40)	2.051 (52.10)	1.996 (50.70)	1.866 (47.40)
24	3.236 (82.20)	1.819 (46.20)	2.803 (71.20)	2.803 (71.20)	2.346 (59.60)	2.217 (56.30)	2.161 (54.90)	2.031 (51.60)

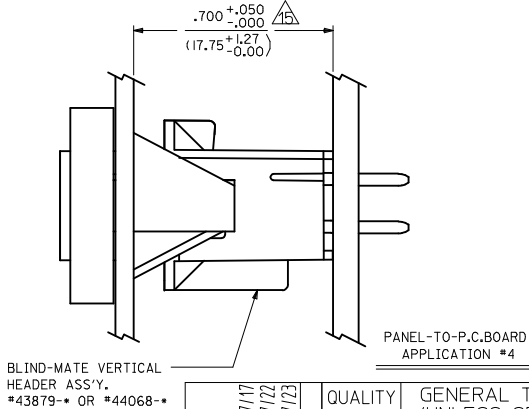
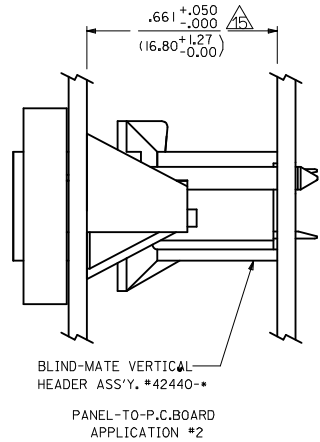
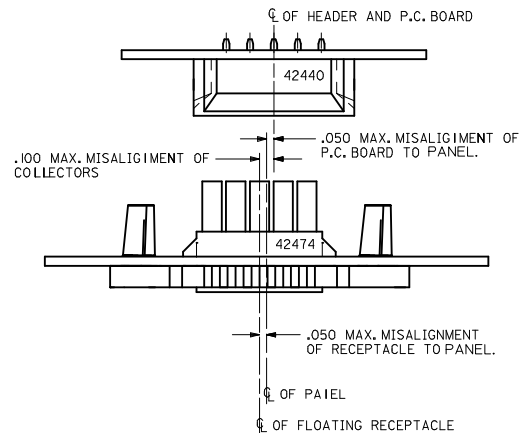
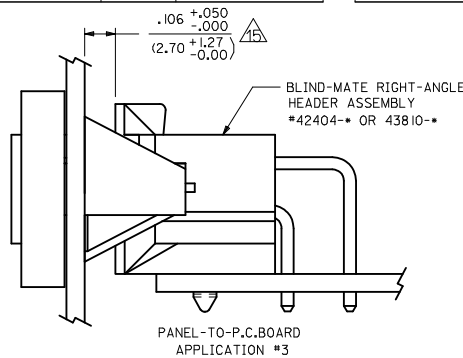
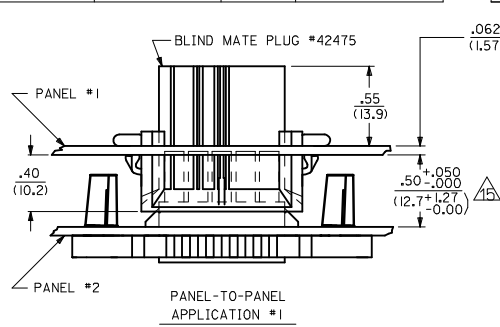
NOTES:

- MATERIAL:  
\*1 = NYLON 6/6, 94V-2, COLOR: NATURAL.  
\*2 = NYLON 6/6, 94V-0, COLOR: NATURAL.  
\*3 = NYLON 6/6, 94V-2, COLOR: BLACK.  
\*4 = NYLON 6/6, 94V-0, COLOR: BLACK.
- FINISH: NOT APPLICABLE.
- PRODUCT SPECIFICATION: PS-5556-002
- PACKAGING: PK-42474-001
- PART MATES WITH MINI-FIT B.M.I. PLUG \*42475, AND HEADERS 42404, 42440, 43810, 44068 & 43879.
- PART TO BE USED WITH MOLEX FEMALE TERMINAL #5556.
- THIS CONNECTOR ALLOWS FOR .050/(1.27) MAX. MISALIGNMENT IN ANY DIRECTION.
- THIS DIMENSION TO BE USED FOR ALIGNMENT OF THE MATING CONNECTOR.
- CONNECTOR ASSEMBLIES ARE NOT TO BE MATED OR UNMATED WHILE CIRCUITS ARE LIVE.
- THIS PART IS INTENDED FOR ONE PANEL INSERTION ONLY. REMOVAL AND RE-INSERTION CAN DAMAGE THE MOUNTING SPIRALS.
- PANEL SHOULD BE PUNCHED IN THE DIRECTION OF CONNECTOR INSERTION.
- BOTH SPIRALS SHOULD BE INSERTED INTO THE PANEL AT THE SAME TIME. ROCKING THE PART INTO PLACE MAY CAUSE SPIRAL DAMAGE.
- THIS PART IS NOT INTENDED TO PROVIDE ANY ALIGNMENT OF CUSTOMER COMPONENTS OR MODULES, SUCH AS POWER SUPPLIES AND CHASSIS.
- IF THIS PRODUCT IS STORED IN AN ENVIRONMENT WITH A RELATIVE HUMIDITY OF LESS THAN 50%, MOISTURE MUST BE ADDED.  
REFER TO TECHNICAL ADVISORY AS-45499-001 FOR INSTRUCTIONS.
- A MAXIMUM TOLERANCE OF .050/(1.27) ALLOWS FOR 2 POINTS OF ELECTRICAL CONTACT.  
A MAXIMUM TOLERANCE OF .020/(.51) ALLOWS FOR 4 POINTS OF CONTACT.
- WIRES ARE TO BE DRESSED IN SUCH A MANNER TO ALLOW THE TERMINALS TO FLOAT FREELY IN THE POCKET.
- PART CONFORMS TO CLASS 'B' REQUIREMENTS OF COSMETIC SPECIFICATION PS-45499-002.

LEGEND:  
42474 - \* \* \* 1  
BASE NUMBER  
CIRCUIT SIZE (02-24)  
MATERIAL (SEE NOTE 1.)

<b>CORRECTED REF NOTE</b> ELEC NO. UCP2010-0135 DRAWN: J.BELL 2009/07/17 CHECKD: J.BELL 2009/07/17 APPROV: FSW/TH 2009/07/17 REV: P4	QUALITY SYMBOLS ▽=0 ▽=0	GENERAL TOLERANCES (UNLESS SPECIFIED) mm INCH 4 PLACES ± --- ± --- 3 PLACES ± --- ± .015 2 PLACES ± 0.38 ± --- 1 PLACE ± --- ± --- ANGULAR ±1/2°	DIMENSION STYLE IN/MM DRAWN BY DATE GEP 1989/08/24 CHECKED BY DATE R/JF 1989/08/24 APPROVED BY DATE RAS 1989/08/24	SCALE 1:1 DESIGN UNITS METRIC THIRD ANGLE PROJECTION	TITLE PANEL-MOUNT RECEPTACLE BLIND MATE MINI-FIT JR. SERIES
	MATERIAL NO. SD-42474-**** DOCUMENT NO.		SHEET NO. 1 OF 2		
	DRAFT WHERE APPLICABLE MUST REMAIN WITHIN DIMENSIONS				
	THIS DRAWING CONTAINS INFORMATION THAT IS PROPRIETARY TO MOLEX INCORPORATED AND SHOULD NOT BE USED WITHOUT WRITTEN PERMISSION				

13	12	11	10	9	8	7	6	5	4	3	2	1		
PART NUMBER	ENG. NUMBER	CKT. SIZE	MATERIAL (SEE NOTE 1.)	PART NUMBER	ENG. NUMBER	CKT. SIZE	MATERIAL (SEE NOTE 1.)	ITEM NUMBER	CKT. SIZE	MATERIAL (SEE NOTE 1.)	ITEM NUMBER	CKT. SIZE	MATERIAL (SEE NOTE 1.)	
J	NOT TOOLED	42474-0211	2	94V-2	NOT TOOLED	42474-0221	2	94V-0	NOT TOOLED	2	94V-2	NOT TOOLED	2	94V-0
	15-06-0040	42474-0411	4	94V-2	15-06-0041	42474-0421	4	94V-0	42474-0431	4	94V-2	42474-0441	4	94V-0
	15-06-0060	42474-0611	6	94V-2	15-06-0061	42474-0621	6	94V-0	42474-0631	6	94V-2	42474-0641	6	94V-0
	15-06-0080	42474-0811	8	94V-2	15-06-0081	42474-0821	8	94V-0	42474-0831	8	94V-2	NOT TOOLED	8	94V-0
I	15-06-0100	42474-1011	10	94V-2	15-06-0101	42474-1021	10	94V-0	42474-1031	10	94V-2	42474-1041	10	94V-0
	NOT TOOLED	42474-1211	12	94V-2	NOT TOOLED	42474-1221	12	94V-0	NOT TOOLED	12	94V-2	NOT TOOLED	12	94V-0
	15-06-0140	42474-1411	14	94V-2	15-06-0141	42474-1421	14	94V-0	42474-1431	14	94V-2	42474-1441	14	94V-0
	NOT TOOLED	42474-1611	16	94V-2	NOT TOOLED	42474-1621	16	94V-0	NOT TOOLED	16	94V-2	NOT TOOLED	16	94V-0
H	15-06-0180	42474-1811	18	94V-2	15-06-0181	42474-1821	18	94V-0	42474-1831	18	94V-2	42474-1841	18	94V-0
	NOT TOOLED	42474-2011	20	94V-2	NOT TOOLED	42474-2021	20	94V-0	NOT TOOLED	20	94V-2	NOT TOOLED	20	94V-0
	NOT TOOLED	42474-2211	22	94V-2	NOT TOOLED	42474-2221	22	94V-0	NOT TOOLED	22	94V-2	NOT TOOLED	22	94V-0
	15-06-0240	42474-2411	24	94V-2	15-06-0241	42474-2421	24	94V-0	42474-2431	24	94V-2	42474-2441	24	94V-0



REV	DESCRIPTION	DATE	BY
P4	CORRECTED TEXT	2009/07/17	UCP
	EC NO: UCP2010-0135	2009/07/17	JBELL
	DRWN: JBELL	2009/07/22	JBELL
	CHKD: JBELL	2009/07/22	JBELL
	APPR: FSMITH	2009/07/23	FSMITH

QUALITY SYMBOLS	GENERAL TOLERANCES (UNLESS SPECIFIED)
▽=0	mm
▽=0	INCH
	4 PLACES ± --- ± ---
	3 PLACES ± --- ± ---
	2 PLACES ± --- ± ---
	1 PLACE ± --- ± ---
	ANGULAR ± 5 °

DIMENSION STYLE		SCALE	DESIGN UNITS	THIRD ANGLE PROJECTION
IN/MM		1:1	METRIC	
DRAWN BY	DATE	TITLE		
LEM	1999/03/24	PANEL-MOUNT RECEPTACLE		
CHECKED BY	DATE	BLIND MATE		
MB	1999/03/24	MINI-FIT JR. SERIES		
APPROVED BY	DATE	MOLEX INCORPORATED		
RE	1999/03/24	MATERIAL NO. SEE CHART		
MATERIAL NO.		DOCUMENT NO.	SHEET NO.	
SEE CHART		SD-42474-****	2 OF 2	

THIS DRAWING CONTAINS INFORMATION THAT IS PROPRIETARY TO MOLEX INCORPORATED AND SHOULD NOT BE USED WITHOUT WRITTEN PERMISSION