

PLEASE CHECK WWW.MOLEX.COM FOR LATEST PART INFORMATION

Part Number: [0908112131](#)
Status: **Active**
Description: 1.00mm (.039") Pitch Mobi-Mate™ Handset Connector, 16 Circuit, SMT, Un-switched RF

Documents:

[3D Model](#) [Product Specification PS-90811-001 \(PDF\)](#)
[Drawing \(PDF\)](#) [RoHS Certificate of Compliance \(PDF\)](#)

General

Product Family	I/O Connectors
Series	90811
Application	Wire-to-Board
Comments	Un-switched RF
Component Type	Receptacle
Product Name	Leaf Style Contact, Mobi-Mate™
Type	N/A

Physical

Boot Color	N/A
Circuits (Loaded)	16
Circuits (maximum)	16
Gender	Receptacle
Lock to Mating Part	Yes
Material - Plating Mating	Gold, Nickel
Number of Rows	1
Orientation	Vertical
PCB Locator	Yes
PCB Retention	Yes
Packaging Type	Tray
Panel Mount	Yes
Pitch - Mating Interface (in)	0.039 In
Pitch - Mating Interface (mm)	1.00 mm
Pitch - Term. Interface (in)	0.020 In
Pitch - Term. Interface (mm)	0.50 mm
Polarized to Mating Part	Yes
Polarized to PCB	Yes
Ports	1
Surface Mount Compatible (SMC)	Yes
Temperature Range - Operating	-35°C to +85°C
Termination Interface: Style	Surface Mount
Waterproof / Dustproof	No
Wire Size AWG	N/A

Electrical

Current - Maximum per Contact	1A, 2A
Shielded	No
Voltage - Maximum	50V AC (RMS)

Material Info

Reference - Drawing Numbers

Packaging Specification	PK-90811-001
Product Specification	PS-90811-001
Sales Drawing	SD-90811-010, SDA-90811-9001

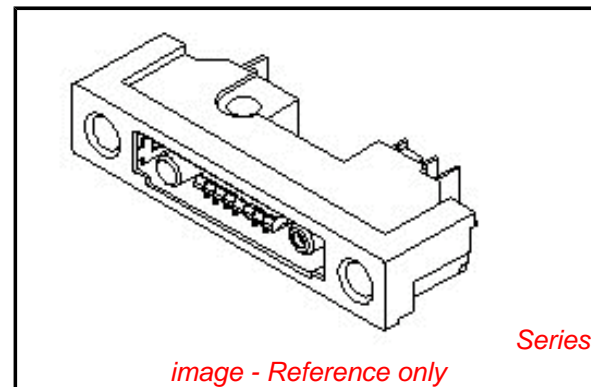


image - Reference only

EU RoHS

**ELV and RoHS
Compliant**
**REACH SVHC
Contains SVHC: No**
**Halogen-Free
Status**

China RoHS



Not Reviewed

**Need more information on product
environmental compliance?**

Email productcompliance@molex.com
 For a multiple part number RoHS Certificate of Compliance, [click here](#)

Please visit the [Contact Us](#) section for any non-product compliance questions.

Search Parts in this Series

90811Series

Mates With

90813 , 90852

This document was generated on 05/04/2010

PLEASE CHECK WWW.MOLEX.COM FOR LATEST PART INFORMATION

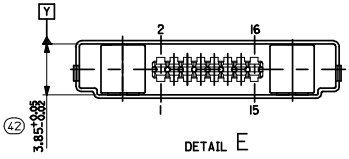
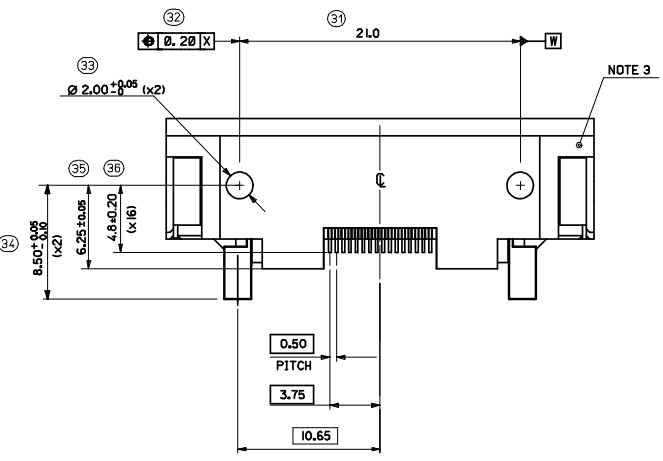
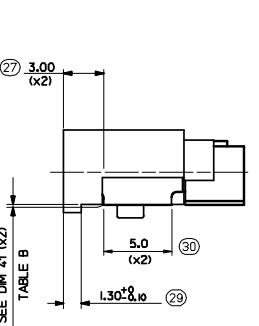
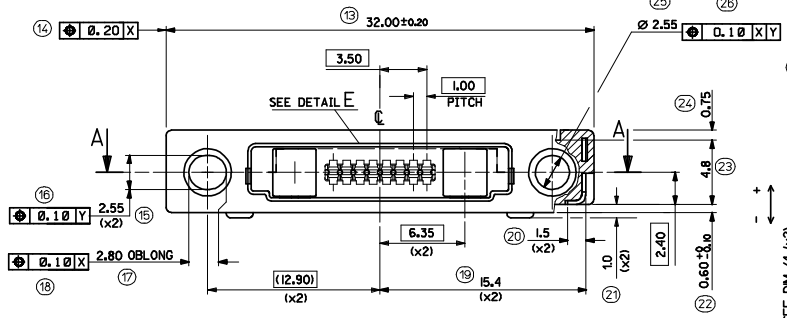
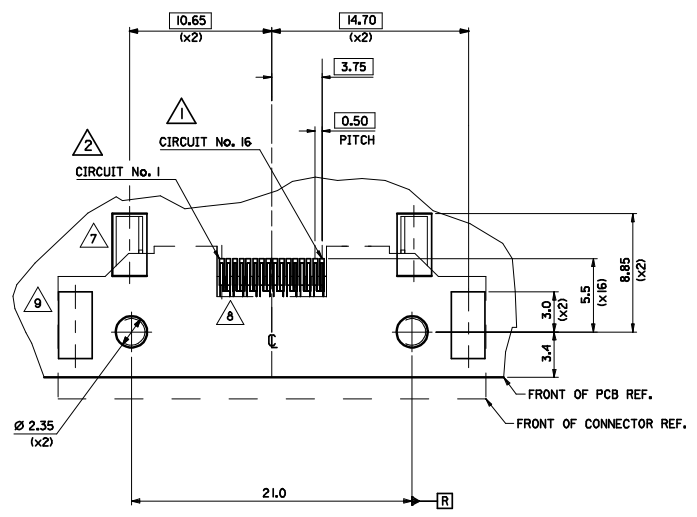
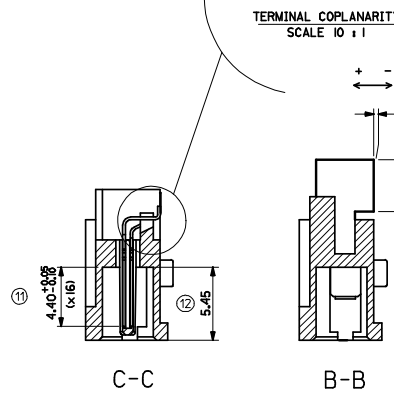
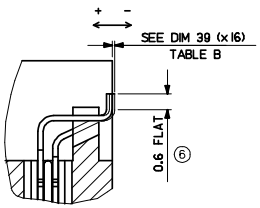
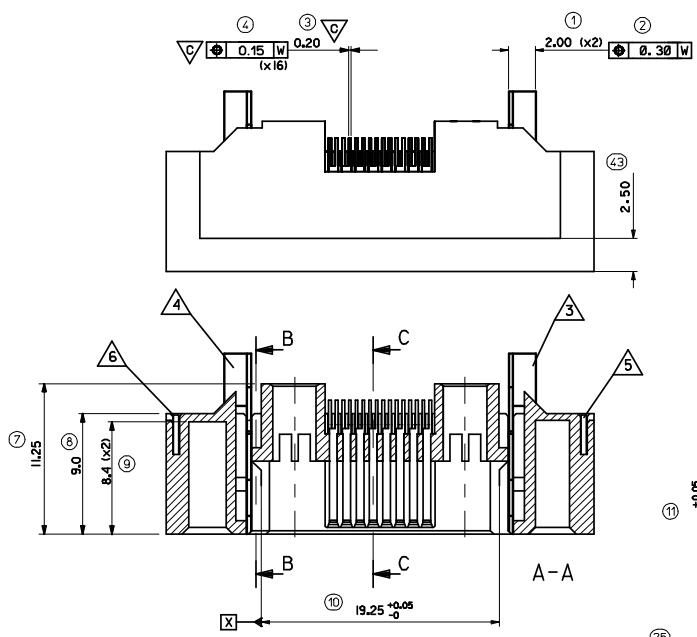


TABLE A		
COMPONENT	PCB PAD DIMENSION	QTY
LOCKING LATCHES	2.60 x 4.65 \square 0.10 R	(x2)
SIGNAL CONTACTS	0.35 $^{+0.05}$ x 2.0 \square 0.10 R	(x16)
SMT RETENTION PADS	2.5 x 5.0 \square 0.10 R	(x2)

TABLE B		
ITEM No	TAIL COPLANARITY	SEE NOTE
1 & 2	39 -0.075 +0.00 -0.10	3
3 & 4	40 0.00 +0.00 -0.125	3
5 & 6	41 0.00 +0.05 -0.10	3 & 4

NOTES:
 1. MATERIALS:
 HOUSING: LCP 35% GLASS FILL, UL94 V-0, COLOUR: BLACK
 SMT RETENTION PADS: PHOSPHOR BRONZE 0.30REF THICK.
 PLATING: 3 - 5µm TIN OVER 127µm NICKEL
 LOCKING LATCHES: PHOSPHOR BRONZE 0.30REF THICK.
 PLATING: 3 - 5µm TIN OVER 127µm NICKEL
 SIGNAL CONTACTS: PHOSPHOR BRONZE 0.20REF THICK.
 PLATING: 127µm NICKEL UNDERCOAT OVERALL
 GOLD FLASH 0.1µm MIN OVER PALLADIUM NICKEL
 10µm MIN IN THE CONTACT AREA. 3.0µm TIN
 ON THE SOLDER TAIL.
 2. COMPONENT PACKAGING: TO BE PACKED IN EMBOSSED TAPE
 SEE 50A-90811-9001 SHEET
 3. ALL SIGNAL SMT TAILS TO LIE WITHIN A COPLANARITY BAND OF
 100µm FROM EACH OTHER.
 4. MATES WITH 90813 SERIES PLUS CONNECTOR
 90852 SERIES CRADLE CONNECTOR
 5. SEE PRODUCT SPECIFICATION PS-90811-001.
 LAST INSPECTION No. 43

ADDED CRITICAL DIMENSIONS EC NO: E2008-0262 DRAWN BY: MDR/WOULGARTON CHECKED BY: MDR/WOULGARTON APPROVED BY: APPR:BMAGUIRE DATE: 2008/03/20 DATE: 2008/03/20 DATE: 2008/03/20	QUALITY SYMBOLS	GENERAL TOLERANCES (UNLESS SPECIFIED)	DIMENSION STYLE	SCALE	DESIGN UNITS	THIRD ANGLE PROJECTION	
	$\nabla=0$ $\nabla=5$	mm INCH	MM ONLY	5:1	METRIC		
		4 PLACES ± --- ± --- 3 PLACES ± --- ± --- 2 PLACES ± 0.05 ± --- 1 PLACE ± 0.1 ± --- ANGULAR ± 2 °	DRAWN BY: FDUGGAN CHECKED BY: SMCGREEVEY APPROVED BY: EFOLAN DATE: 2006/11/21 DATE: 2006/11/21 DATE: 2006/11/21	TITLE			
	DRAFT WHERE APPLICABLE MUST REMAIN WITHIN DIMENSIONS	MATERIAL NO. 90811-2131	DOCUMENT NO. SD-90811-010	1MM PITCH I/O RCPT 16CKT			SHEET NO. 1 OF 1

THIS DRAWING CONTAINS INFORMATION THAT IS PROPRIETARY TO MOLEX INCORPORATED AND SHOULD NOT BE USED WITHOUT WRITTEN PERMISSION

7 6 5 4 3 2 1

E

E

D

D

C

C

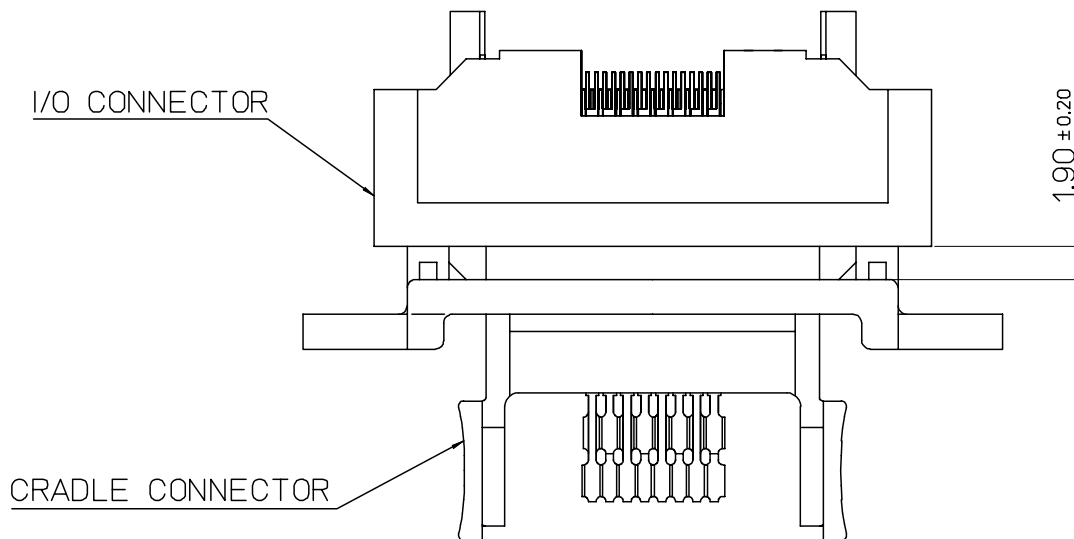
B

B

A

A

MATED GAP SPECIFICATION



NOTE:
1. SEE SHEET 1 FOR ALL UNSPECIFIED NOTES AND DIMENSIONS.

SEE SHEET 1 EC NO: E2007-0933 DRWN:FDUGGAN CHKD: APPR:EFOLAN	2007/06/08 2007/06/20 2007/06/21	QUALITY SYMBOLS ▽=0 □=0	GENERAL TOLERANCES (UNLESS SPECIFIED)		DIMENSION STYLE MM ONLY		SCALE ---	DESIGN UNITS METRIC	THIRD ANGLE PROJECTION		
			4 PLACES ± --- ± ---	DRAWN BY F DUGGAN	DATE 2007/05/01	TITLE 1MM PITCH I/O RCPT 16CKT					
			3 PLACES ± --- ± ---	CHECKED BY S MCGREEVY	DATE 2007/05/01						
			2 PLACES ± 0.10 ± ---	APPROVED BY E FOLAN	DATE 2007/05/01	MOLEX MOLEX INCORPORATED					
			1 PLACE ± 0.2 ± ---	ANGULAR ± 2 °		MATERIAL NO. 90811-2131	DOCUMENT NO. SD-90811-010	SHEET NO. 2 OF 2			

DRAFT WHERE APPLICABLE
MUST REMAIN
WITHIN DIMENSIONS

THIS DRAWING CONTAINS INFORMATION THAT IS PROPRIETARY TO MOLEX INCORPORATED AND SHOULD NOT BE USED WITHOUT WRITTEN PERMISSION

6

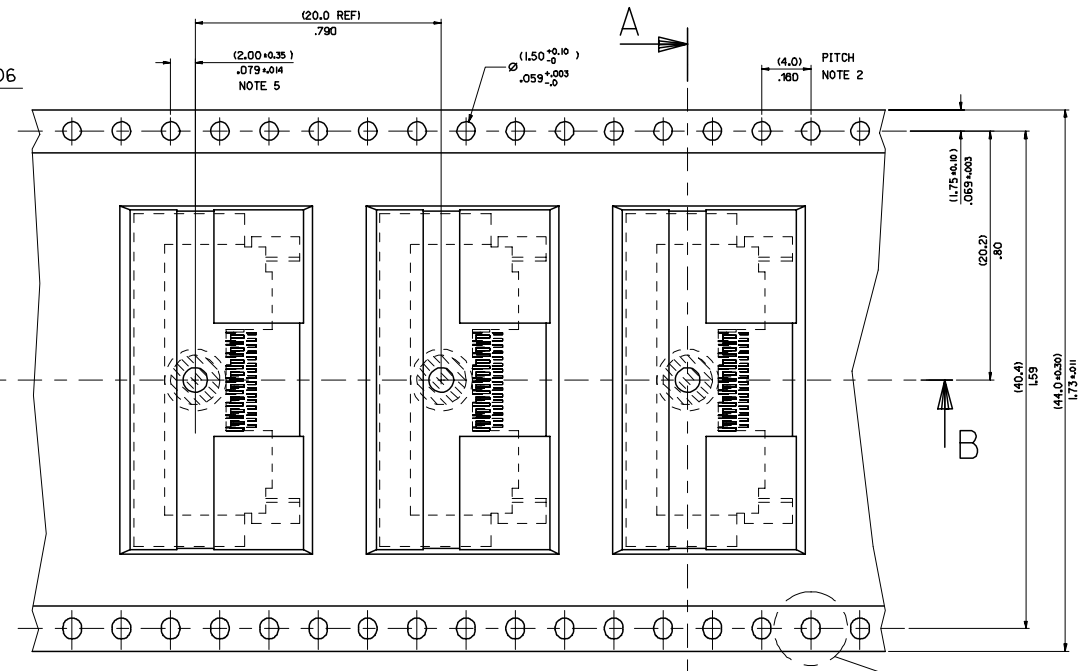
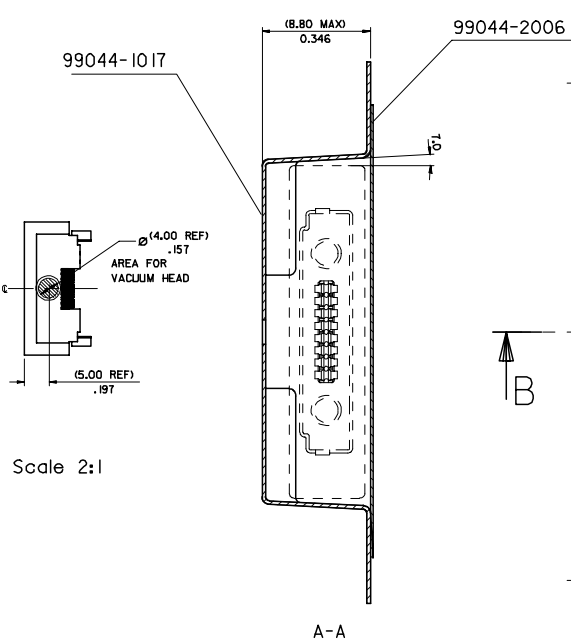
5

4

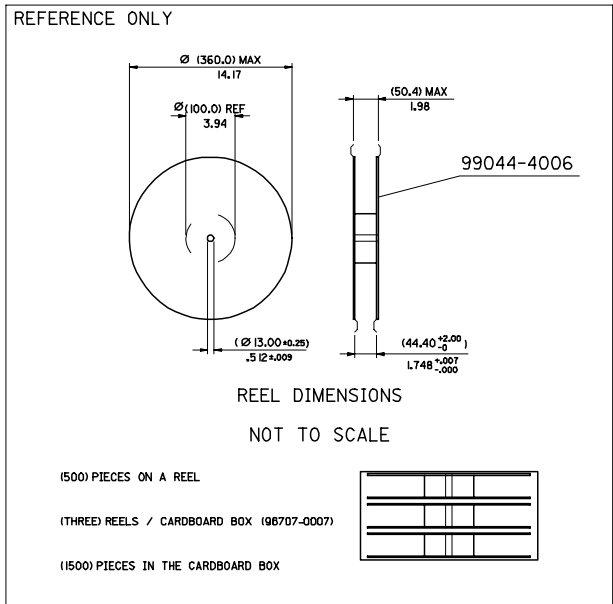
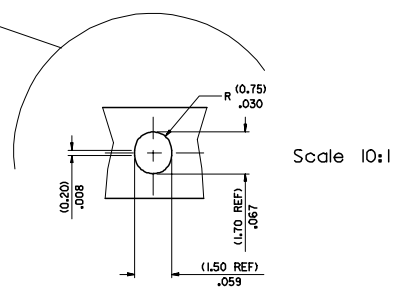
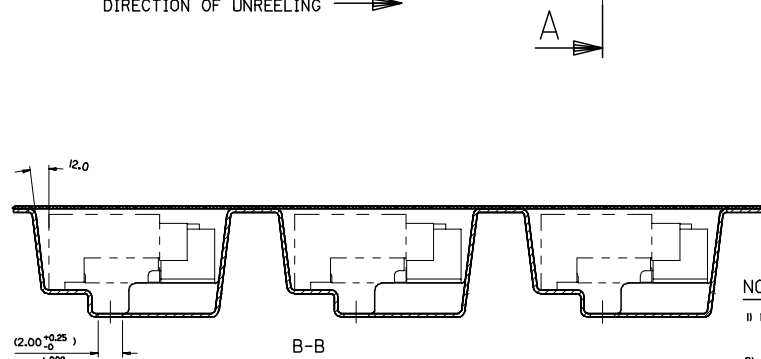
3

2

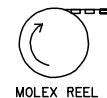
1



DIRECTION OF UNREELING →



TO CUSTOMER ASSEMBLY MACHINE →



COMPONENT	DESCRIPTION
90811-2001	MOBILE PHONE I/O CONNECTOR

NOTES:

- MATERIAL :
CARRIER TAPE : VOLUME CONDUCTIVE POLYCARBONATE , (0.37) .014 REF THICK , BLACK
COVER TAPE : COLD SEAL POLYESTER , (0.06) .002 REF THICK , TRANSPARENT
- PITCH TOLERANCE OVER ANY 10 PITCHES ±(0.2) .008
- PEEL FORCE OF THE COVER TAPE IS 0.1N TO 1.0N
AT A MAXIMUM PEEL SPEED OF (300) 1.81mm/mIn ±10%
- REFERENCE TO IEC 286-3 EXCEPT WHERE SPECIFIED

REV	DESCRIPTION	QUALITY SYMBOLS	GENERAL TOLERANCES (UNLESS SPECIFIED)		DIMENSION STYLE		SCALE	DESIGN UNITS	THIRD ANGLE PROJECTION
			MM	INCH	MM/IN	MM/IN			
1	UPDATED SHEET 3 ECC NG E2007-0458 2007/05/10 DRAWN/DUGGAN 2007/05/10 CHKD. APPROVED/LAN 2007/05/10	▽=0 ▽=0	4 PLACES ±	±	MM/IN	MM/IN	S:1	METRIC	THIRD ANGLE PROJECTION
			3 PLACES ±	±					
			2 PLACES ±	±0.10					
			1 PLACE ±	±0.2					
			ANGULAR ± .5°						
			DRAFT WHERE APPLICABLE MUST REMAIN WITHIN DIMENSIONS						
			SIZE 1						
			THIS DRAWING CONTAINS INFORMATION THAT IS PROPRIETARY TO MOLEX INCORPORATED AND SHOULD NOT BE USED WITHOUT WRITTEN PERMISSION						

3	C
2	B
1	C

BLISTER PACKAGING FOR MOBILE PHONE HANDSET

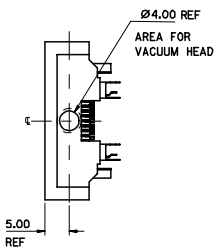
MOLEX INCORPORATED

SDA-90811-9001

SHEET NO. 1 OF 3

20 19 18 17 16 15 14 13 12 11 10 9 8 7 6 5 4 3 2 1

COMPONENT DETAIL
(W/UNSWITCHED RF)

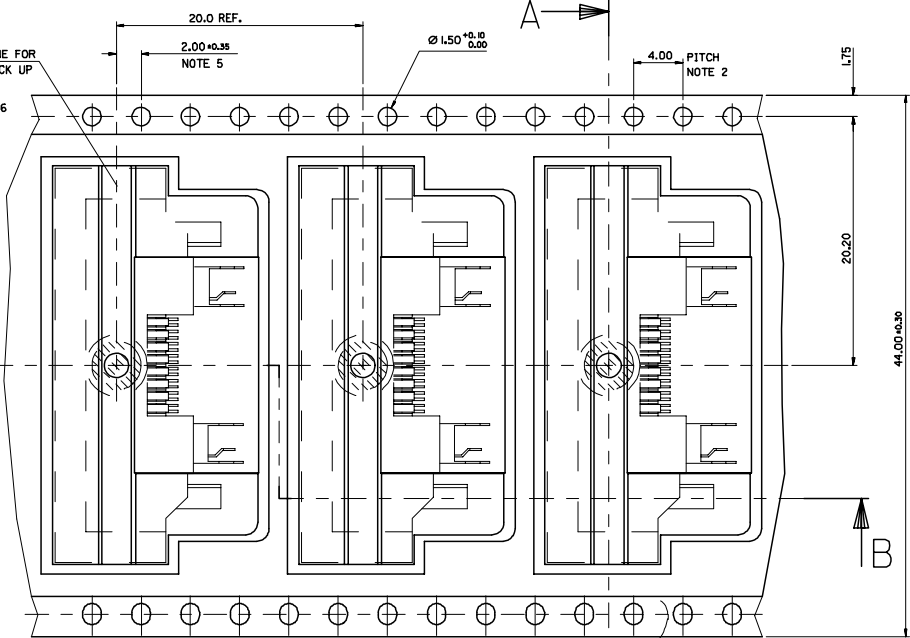


SCALE 2:1

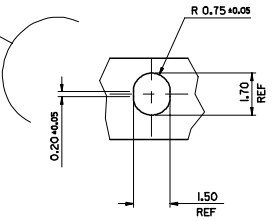
99044-1066

CENTRE LINE FOR VACUUM PICK UP

99044-5006

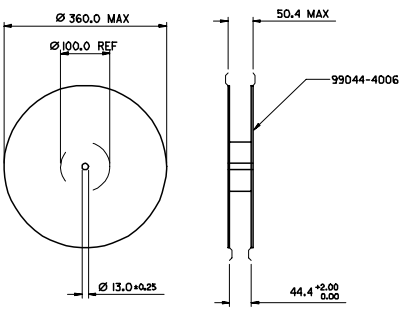


DIRECTION OF UNREELING



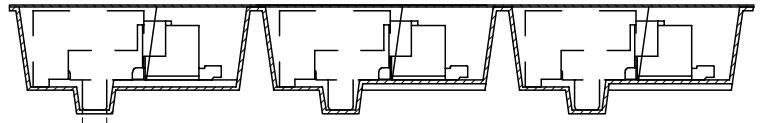
SCALE 10:1

REFERENCE ONLY

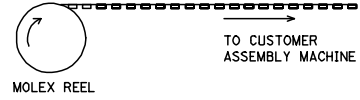


REEL DIMENSIONS
DO NOT SCALE

(400) PIECES / REEL (SUBJECT TO CHANGE)
(THREE) REELS / CARDBOARD BOX (96707-0007)
(1200) PIECES / CARDBOARD BOX (SUBJECT TO CHANGE)



B - B



MOLEX REEL

NOTES:

- MATERIAL :
CARRIER TAPE : VOLUME CONDUCTIVE POLYSTYRENE , 0.4 REF THICK , BLACK
COVER TAPE : COLD SEAL POLYESTER , 0.06 REF THICK, TRANSPARENT
- PITCH TOLERANCE OVER ANY 10 PITCHES ±0.2
- PEEL FORCE OF THE COVER TAPE IS 0.1N TO 1.0N
AT A MAXIMUM PEEL SPEED OF 300mm/min ±10%.
- REFERENCE TO IEC 286-3 EXCEPT WHERE NOTED

COMPONENT	DESCRIPTION
90811-2129	MOBILE PHONE I/O CONNECTOR
90811-2130	1mm Pitch I/O Rpt 16Ckt W/RF
90811-2131	1mm Pitch I/O Rpt 16Ckt W/O RF

ADDED PART NO ECHANGE 2007-0458 2007/05/08 DRIVING DUGGAN 2007/05/13 CHECKED APPRE-EJOLAN 2007/05/16 REV	QUALITY SYMBOLS ▽=0 ▽=0	GENERAL TOLERANCES (UNLESS SPECIFIED)		DIMENSION STYLE MM ONLY		SCALE 5:1	DESIGN UNITS METRIC	THIRD ANGLE PROJECTION
		4 PLACES ± --- ± --- 3 PLACES ± --- ± --- 2 PLACES ± 0.10 ± --- 1 PLACE ± 0.2 ± ---	ANGULAR ± 5°	DRAWN BY T. MAHON 1998/06/16	DATE 1998/06/16	TITLE BLISTER PACKAGING FOR MOBILE PHONE HANDSET	MATERIAL NO. SDA-90811-9001	DOCUMENT NO. SDA-90811-9001

DRAFT WHERE APPLICABLE MUST REMAIN WITHIN DIMENSIONS

THIS DRAWING CONTAINS INFORMATION THAT IS PROPRIETARY TO MOLEX INCORPORATED AND SHOULD NOT BE USED WITHOUT WRITTEN PERMISSION