

SIZE A4

RENESAS TECHNOLOGY EUROPE LTD
 Dukes Meadow, Bourne End, Buckinghamshire
 UNITED KINGDOM

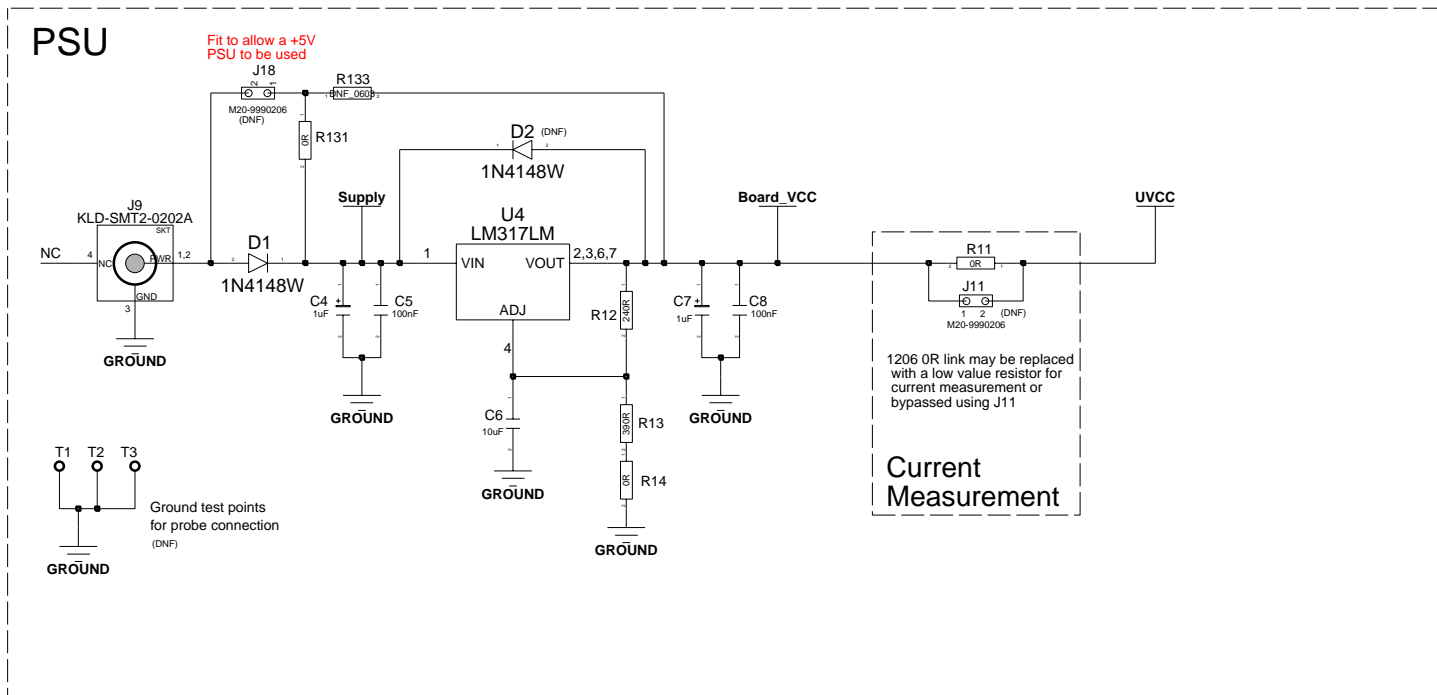
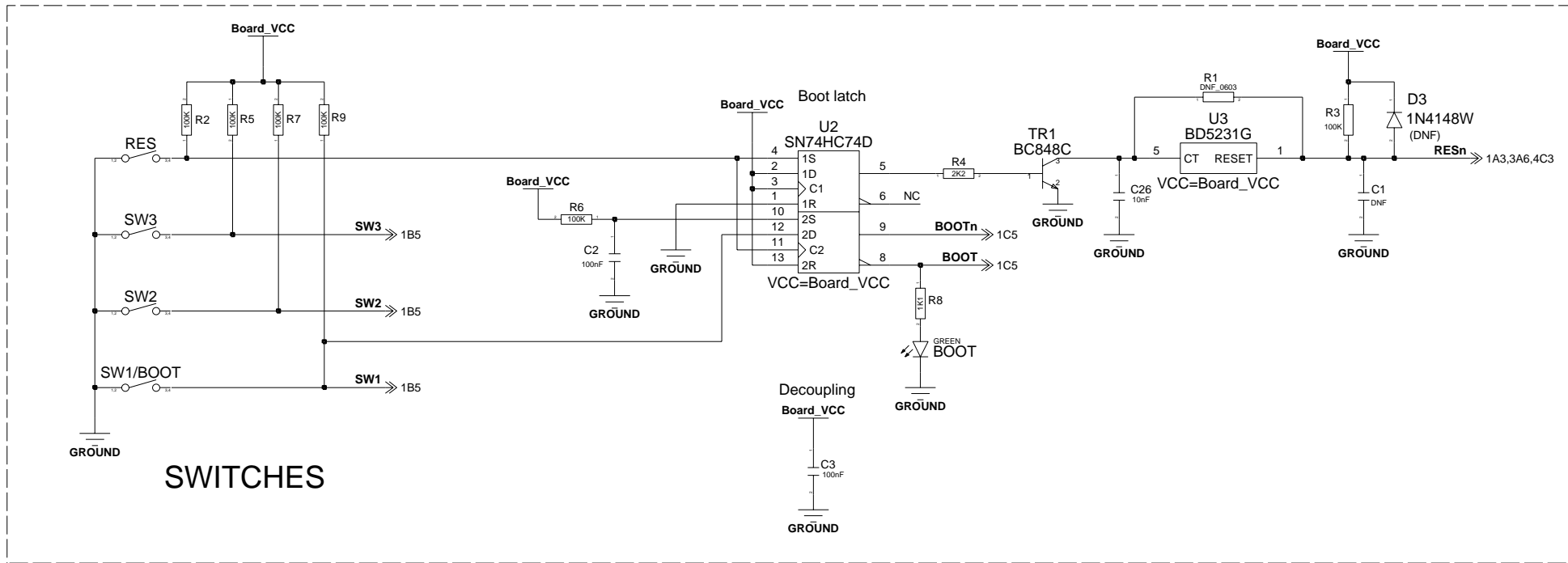
SCHEMATIC TITLE
3DK2166

SHEET TITLE
Microcontroller

DRAWN BY DPR	DATE 24-Aug-2004	REV 2	DRAWING NUMBER D005392_04	PAGE 1/5
-----------------	---------------------	----------	------------------------------	-------------

POWER: 1, 36, 86
 GROUND: 7, 42, 95, 111, 139

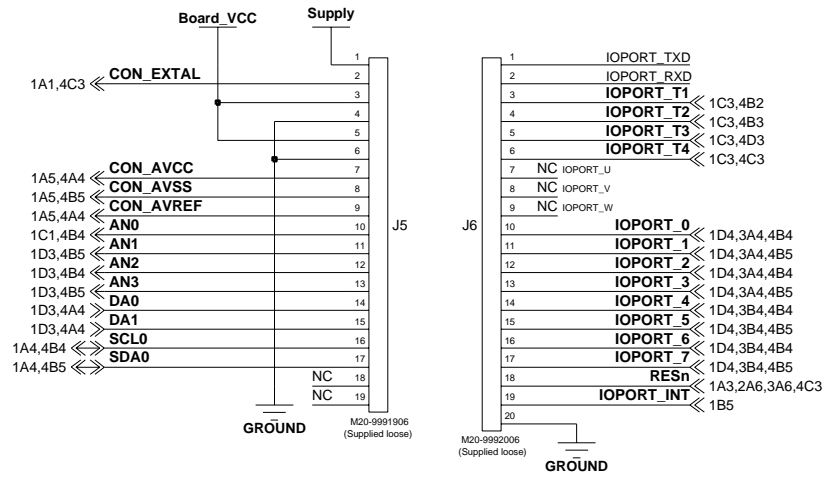
VCC=UVCC



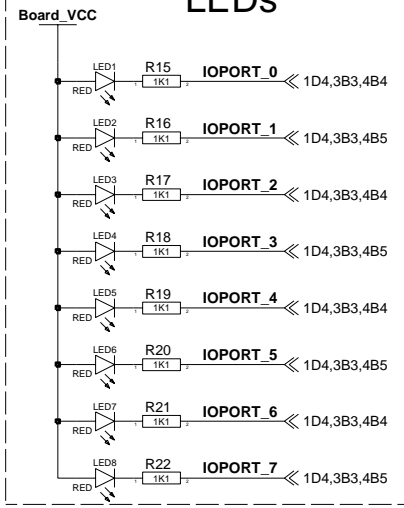
SIZE A4

RENESAS TECHNOLOGY EUROPE LTD Dukes Meadow, Bourne End, Buckinghamshire UNITED KINGDOM				
SCHEMATIC TITLE 3DK2166				
SHEET TITLE Switches and PSU				
DRAWN BY DPR	DATE 24-Aug-2004	REV 2	DRAWING NUMBER D005392_04	PAGE 3/5

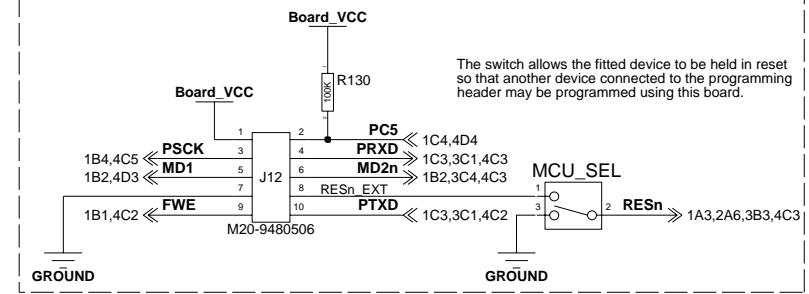
GENERIC HEADERS



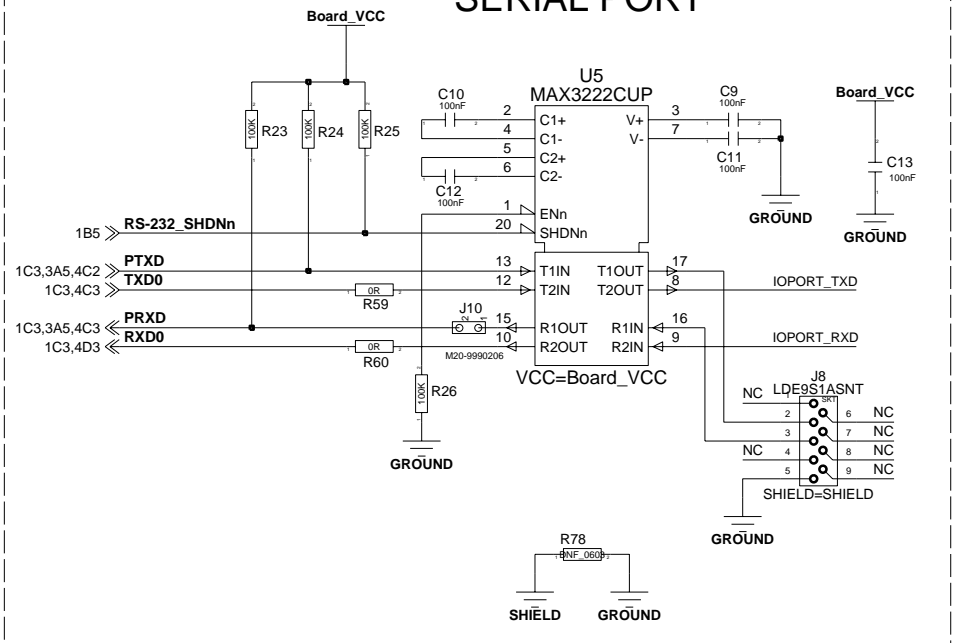
LEDs



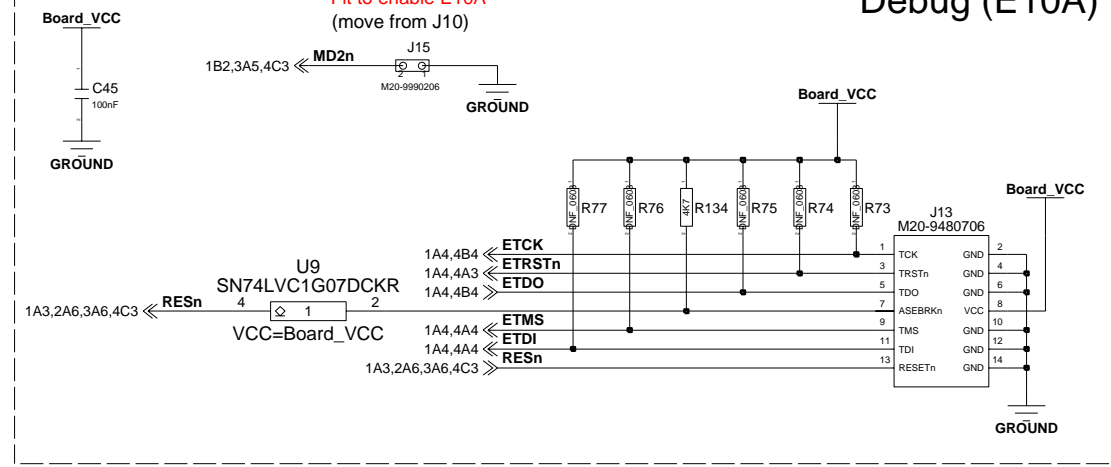
Debug & Flash (FoUSB)



SERIAL PORT

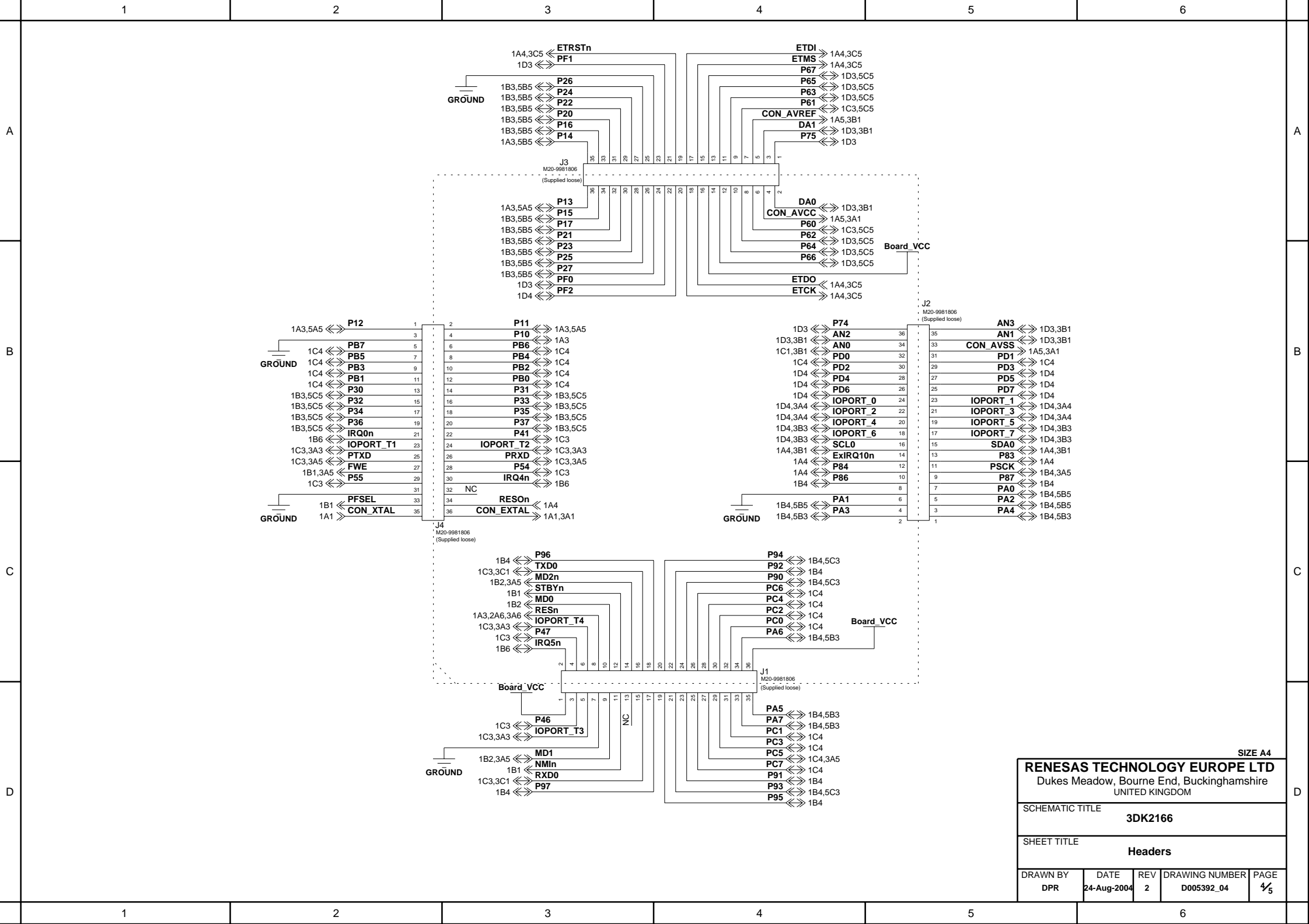


Debug (E10A)



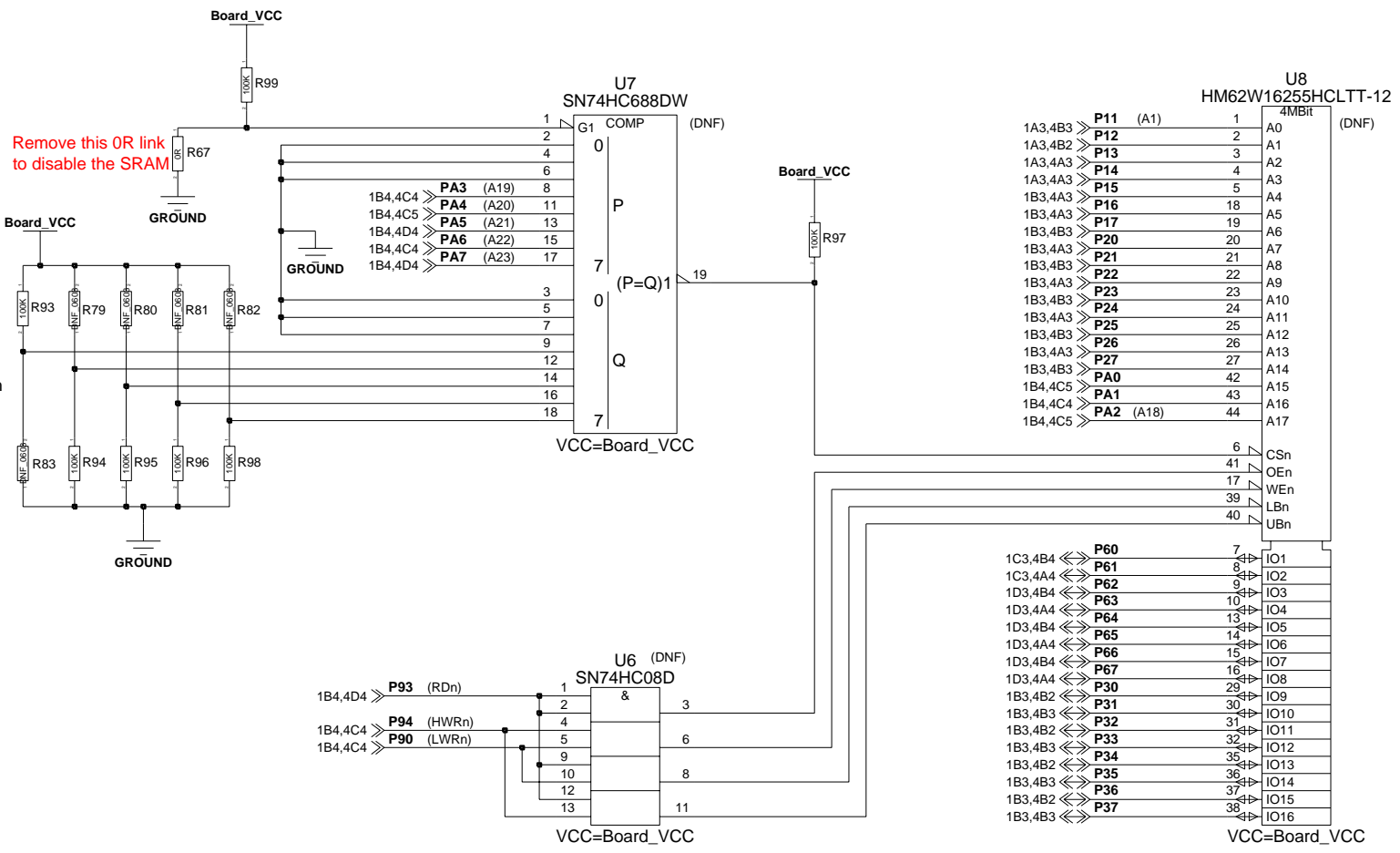
SIZE A4

RENESAS TECHNOLOGY EUROPE LTD				
Dukes Meadow, Bourne End, Buckinghamshire UNITED KINGDOM				
SCHEMATIC TITLE				
3DK2166				
SHEET TITLE				
Generic & FLASH connector, LEDs & Serial Port				
DRAWN BY	DATE	REV	DRAWING NUMBER	PAGE
DPR	24-Aug-2004	2	D005392_04	3/5



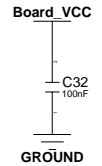
SIZE A4

RENESAS TECHNOLOGY EUROPE LTD				
Dukes Meadow, Bourne End, Buckinghamshire UNITED KINGDOM				
SCHEMATIC TITLE				
3DK2166				
SHEET TITLE				
Headers				
DRAWN BY	DATE	REV	DRAWING NUMBER	PAGE
DPR	24-Aug-2004	2	D005392_04	4/5

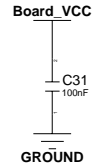


SRAM mapped by default between 080000h and 0FFFFh

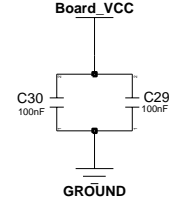
Address decoupling



AND logic decoupling



SRAM decoupling



SIZE A4

RENESAS TECHNOLOGY EUROPE LTD Dukes Meadow, Bourne End, Buckinghamshire UNITED KINGDOM				
SCHEMATIC TITLE 3DK2166				
SHEET TITLE SRAM and Glue Logic				
DRAWN BY DPR	DATE 24-Aug-2004	REV 2	DRAWING NUMBER D005392_04	PAGE 5/5