

**PLEASE CHECK WWW.MOLEX.COM FOR LATEST PART INFORMATION**

**Part Number:** [0351991500](#)  
**Status:** **Active**  
**Description:** 2.50mm (.098") Pitch Housing Positive Locking, 15 Circuits

**Documents:**

[3D Model](#) [RoHS Certificate of Compliance \(PDF\)](#)  
[Drawing \(PDF\)](#)

**Agency Certification**

CSA LR19980  
 UL E29179

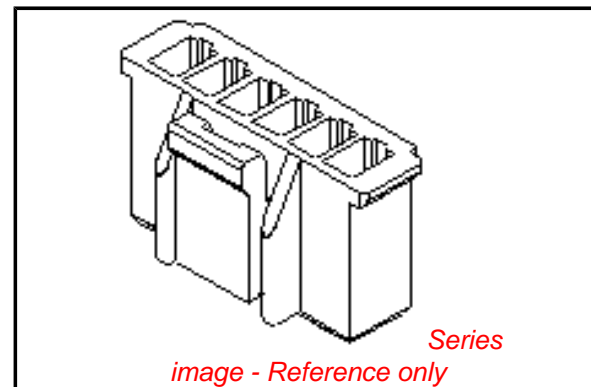
**General**

Product Family Crimp Housings  
 Series [35199](#)  
 Product Name N/A

**Physical**

Circuits (maximum) 15  
 Flammability 94V-0  
 Gender Male  
 Glow-Wire Compliant No  
 Lock to Mating Part Yes  
 Number of Rows 1  
 Packaging Type Bag  
 Panel Mount No  
 Pitch - Mating Interface (in) 0.098 In  
 Pitch - Mating Interface (mm) 2.50 mm  
 Stackable No  
 Temperature Range - Operating N/A

**Material Info**



**EU RoHS** **China RoHS**

**Compliance Status**

**Not Reviewed**

**REACH SVHC**

**Not Reviewed**

**Halogen-Free**

**Status**

**Not Reviewed**

**Need more information on product environmental compliance?**

Email [productcompliance@molex.com](mailto:productcompliance@molex.com)  
 For a multiple part number RoHS Certificate of Compliance, [click here](#)

Please visit the [Contact Us](#) section for any non-product compliance questions.

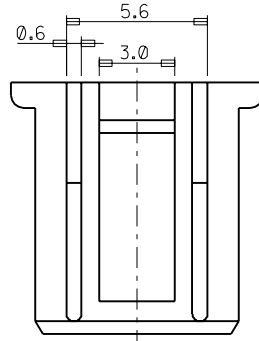
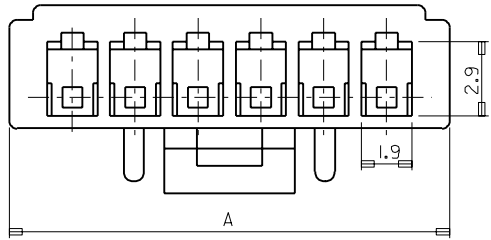
**Search Parts in this Series**

[35199Series](#)

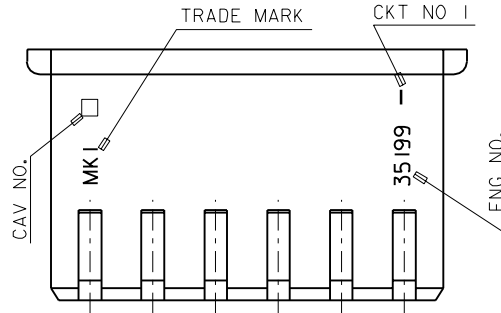
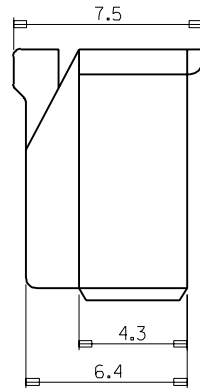
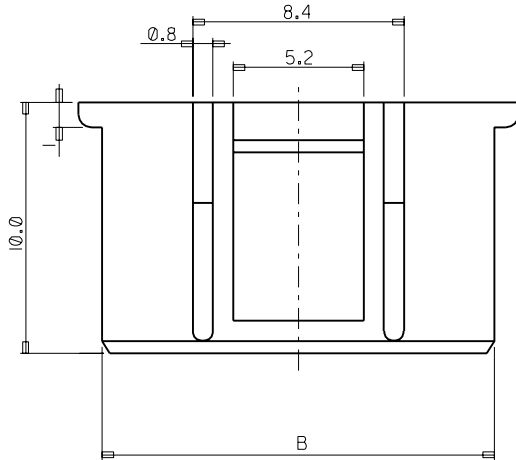
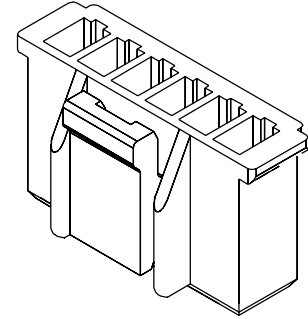
**PLEASE CHECK WWW.MOLEX.COM FOR LATEST PART INFORMATION**

PROJECT NO. SIMILAR ITEM EDP NO. 35 199-\*\*-00 ENG. NO. SD 35 199-\*\*-00

8 7 6 5 4 3 2 1



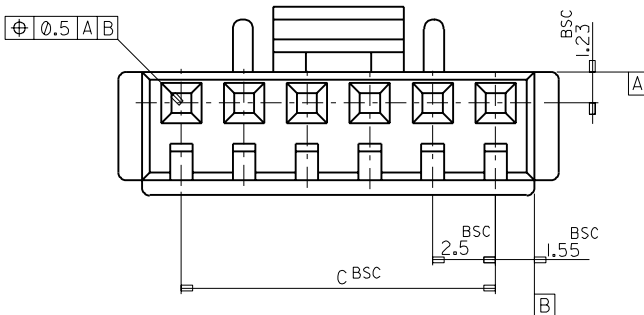
3 CKT ONLY



NOTE

- MATERIAL : PBT UL94V-0
- USED TERMINAL : 35074-8001/9002
- MATED : 35312/35184

35.0	38.1	40.0	35 199-1500	15
32.5	35.6	37.5		14
30.0	33.1	35.0		13
27.5	30.6	32.5		12
25.0	28.1	30.0		11
22.5	25.6	27.5		10
20.0	23.1	25.0		9
17.5	20.6	22.5		8
15.0	18.1	20.0		7
12.5	15.6	17.5		6
10.0	13.1	15.0		5
7.5	10.6	12.5		4
5.0	8.1	10.0	35 199-0300	3
C	B	A	ENG NO.	CKT



				MATERIAL PBT UL94V-0	molex MOLEX-KOREA CO.,LTD.	
C	REVISED	97-038	97 4/07	GENERAL TOLERANCE DIMENSION : 0.2	DRAWN BY H.S.SHIN	CHK'D BY
B	REVISED	96-094	96 8/20	ANGLE : 1°	APP'D BY	SCALE 5-1
A	NEW RELEASED	96-047	96 4/15	DIMENSION CLASSIFICATION ▽ : CRITICAL ▼ : MAJOR	TITLE : 2.5 PITCH W/B CONN. HOUSING	
Ø	PROPOSAL		96 2/23	( ) : REFERENCE	SHEET 1/1	
LTR	REVISION RECORD	ECN	DATE	ASS'Y PART DESCRIPTION ENG. NO.	ENG. NO. SD 35 199-**-00	
REVISE ONLY ON CAD SYSTEM				REV C		