



TAI-SAW TECHNOLOGY CO., LTD.

No. 3, Industrial 2nd Rd., Ping-Chen Industrial District,
Taoyuan, 324, Taiwan, R.O.C.

TEL: 886-3-4690038 FAX: 886-3-4697532

E-mail: tstsales@mail.taisaw.com Web: www.taisaw.com

Approval Sheet For Product Specification

Issued Date:

Product Name: SAW Filter 416.405MHz SMD 3.8×3.8mm

TST Parts No.: TA0592A

Customer Parts No.: _____

Company: _____
Division: _____
Approved by : _____
Date: _____

Checked by: _____ Asin Lin

Approval by: _____ Francis Chen

Date: _____ 2006/09/13



TAI-SAW TECHNOLOGY CO., LTD.

No. 3, Industrial 2nd Rd., Ping-Chen Industrial District,
Taoyuan, 324, Taiwan, R.O.C.

TEL: 886-3-4690038 FAX: 886-3-4697532

E-mail: tstsales@mail.taisaw.com Web: www.taisaw.com

SAW Filter 416.405 MHz

MODEL NO.: TA0592A

REV. NO.:1

A. MAXIMUM RATING:

1. Input Power Level: 10 dB_m
2. DC voltage: 3 V
3. Operating Temperature: +15°C to +35°C
4. Storage Temperature: -40°C to +85°C

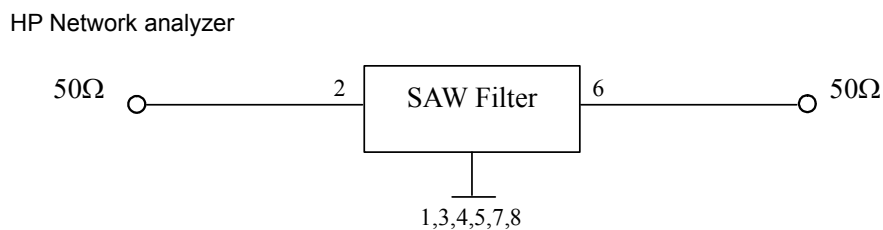
RoHS Compliant
Lead free
Lead-free soldering

B. CHARACTERISTICS:

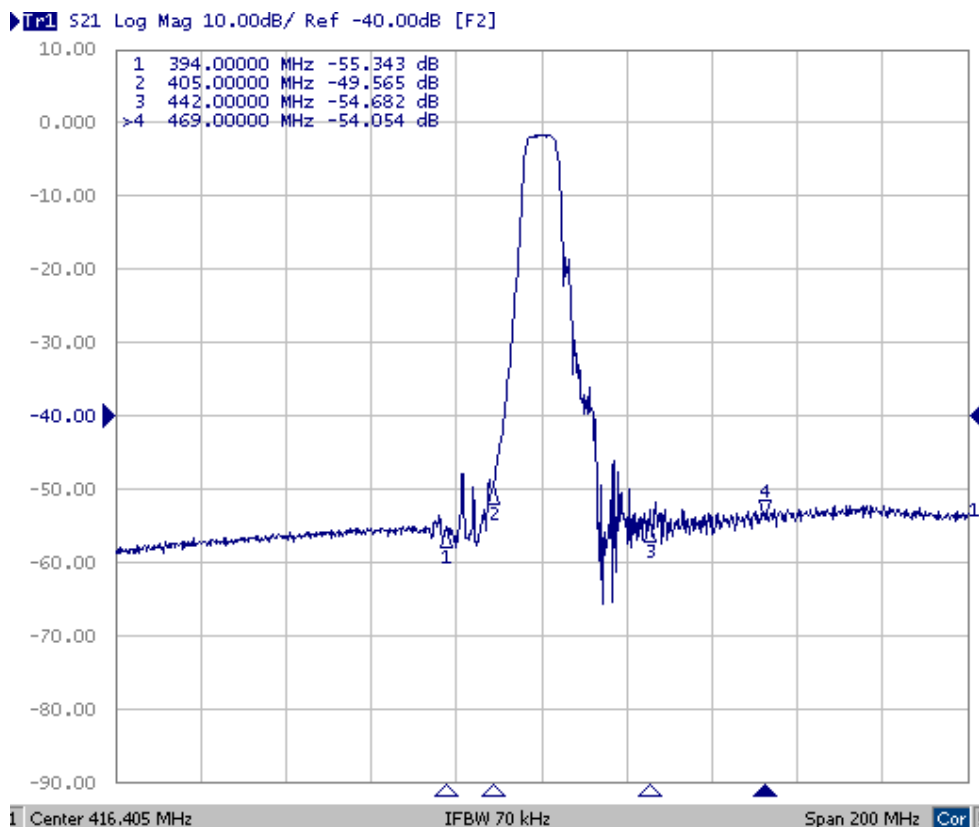
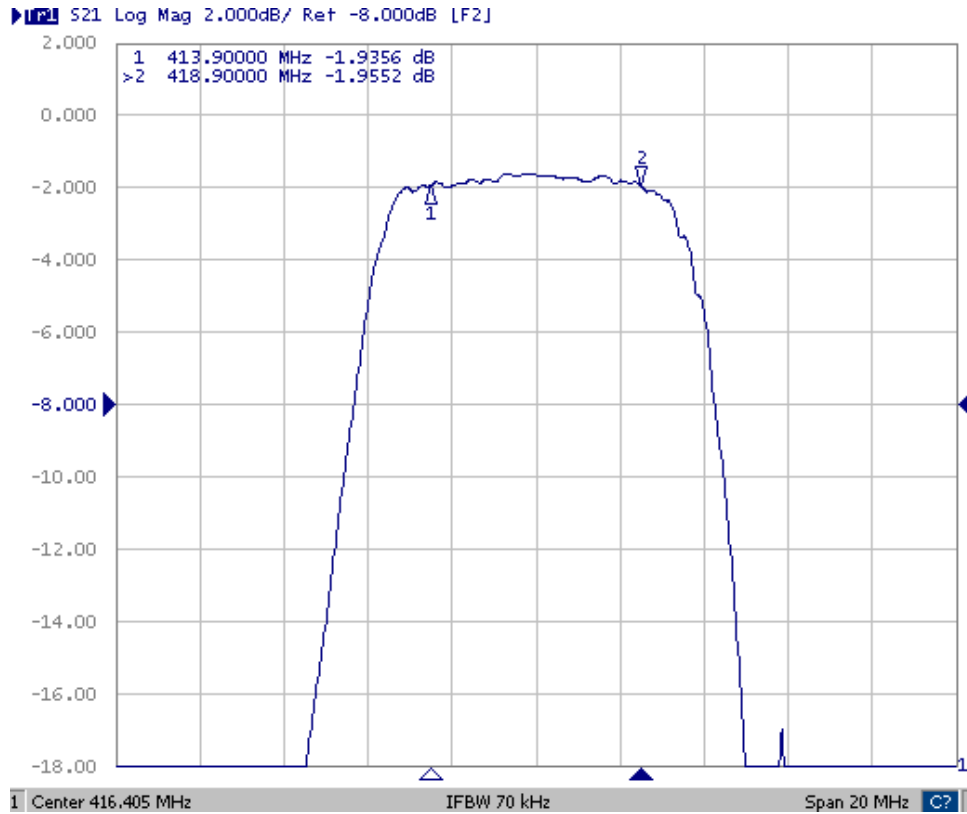
Item			Min.	Typical	Max.
Center frequency	F _c	MH	-	416.405	-
Insertion loss	413.9 ~ 418.9 MHz	IL	dB	2.2	3.6
Amplitude ripple	413.9 ~ 418.9 MHz		dB	0.7	2.1
VSWR	413.9 ~ 418.9 MHz		dB	1.3	2.1
Attenuation (Reference level from 0 dB)					
1 ~ 379.0	MHz		dB	40	50
379.0 ~ 394.0	MHz		dB	31	50
394.0 ~ 405.5	MHz		dB	10	35
442.0 ~ 469.0	MHz		dB	37	50
469.0 ~ 550.0	MHz		dB	40	50
Temperature coefficient of frequency			ppm/k	-	-36
Source impedance	Z _s		Ω	-	50
Load impedance	Z _L		Ω	-	50

Note1. No matching network required for operation at 50Ω

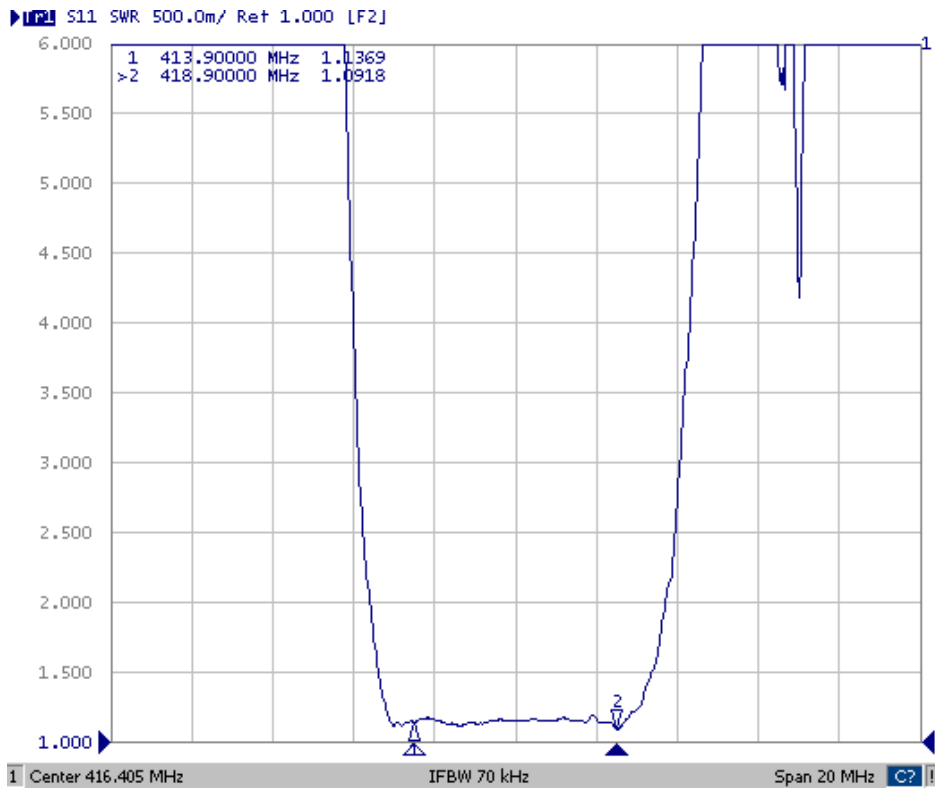
C. MEASUREMENT CIRCUIT:



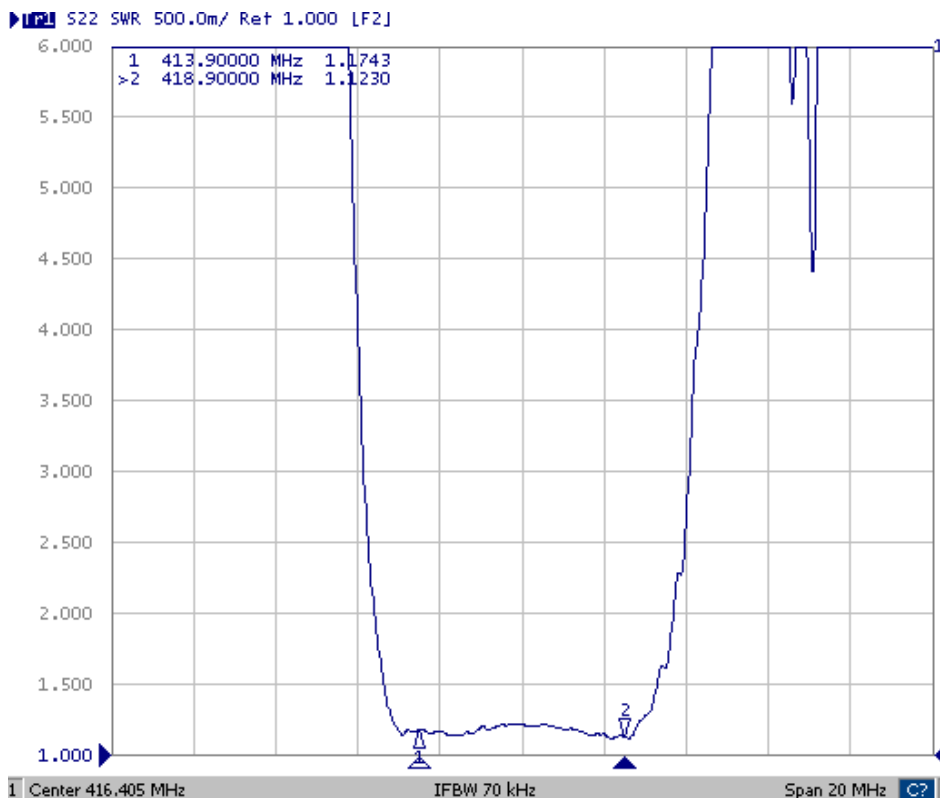
D. TRANSFER FUNCTION :



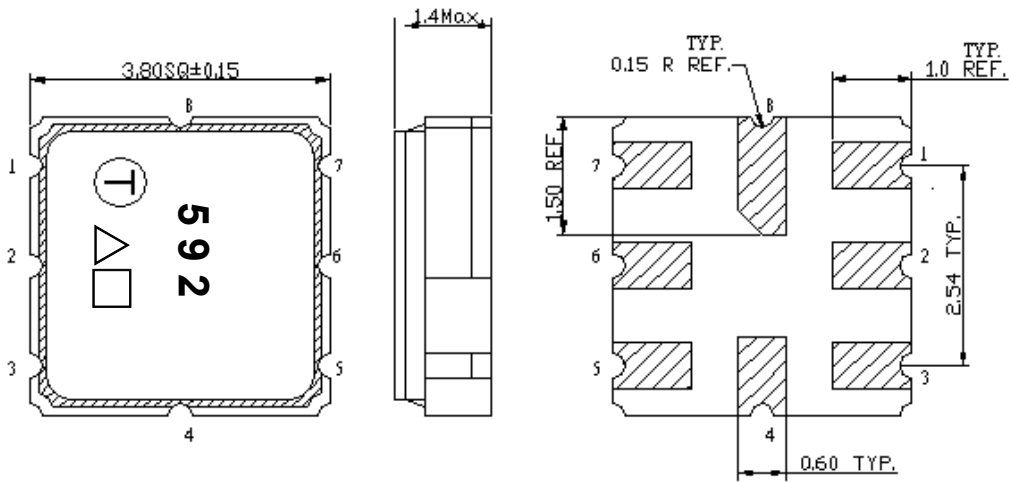
VSWR S11



VSWR S22



E.OUTLINE DRAWING:

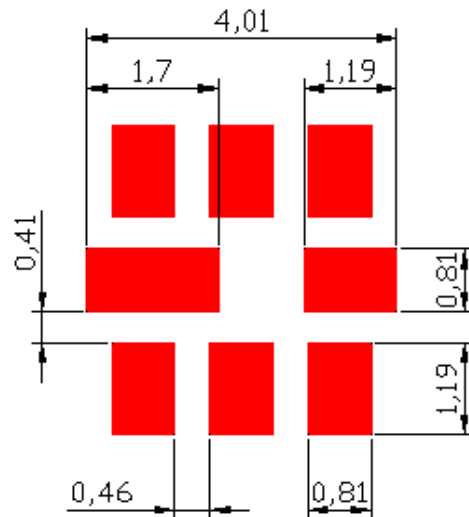


2 : Input
 6: Output
 1,3,4,5,7,8 Ground
 △:Year Code
 □: Date Code(Follow the table provided by planner each year.)
 Unit: mm

△ Product Year Code

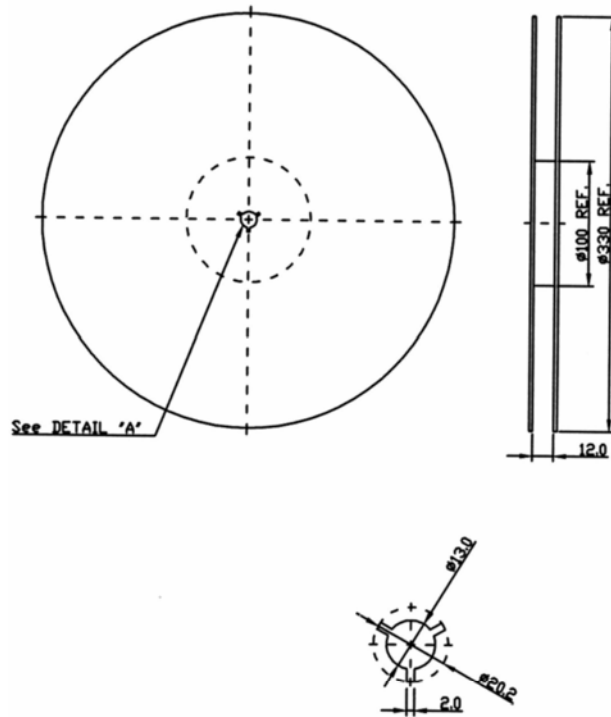
Year	2005 2007 2009	2006 2008 2010
Product Code	A	a

F.PCB FOOTPRINT:

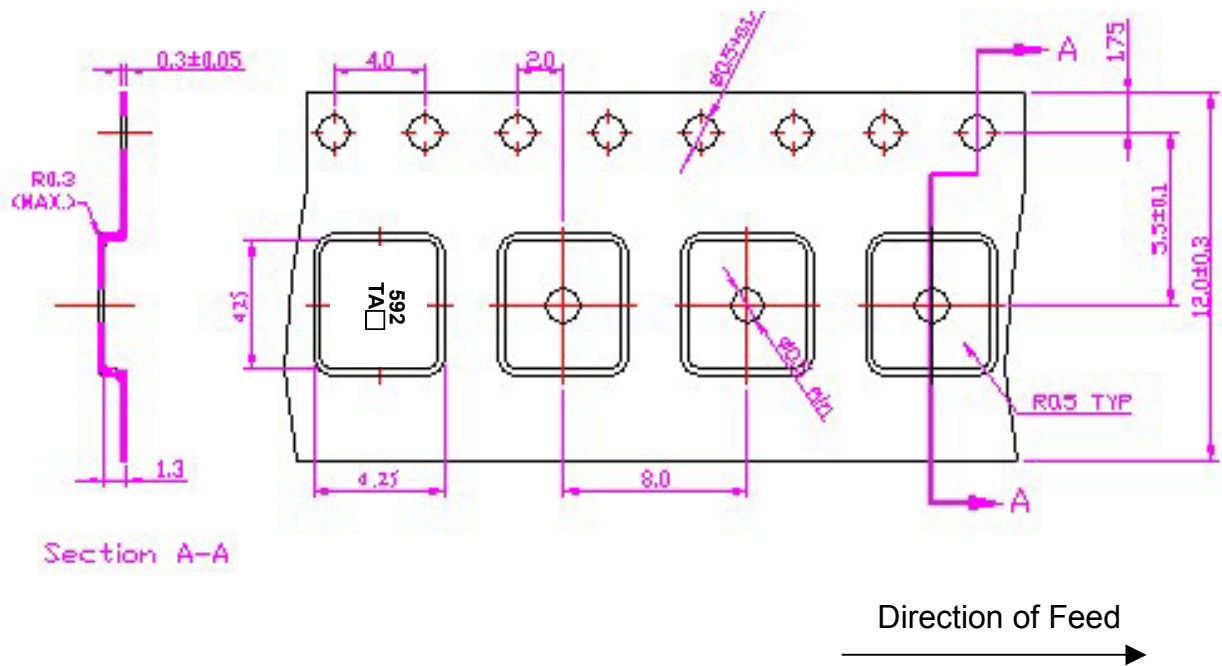


G. PACKING:

1. REEL DIMENSION



2. TAPE DIMENSION



H. REFLOW PROFILE

